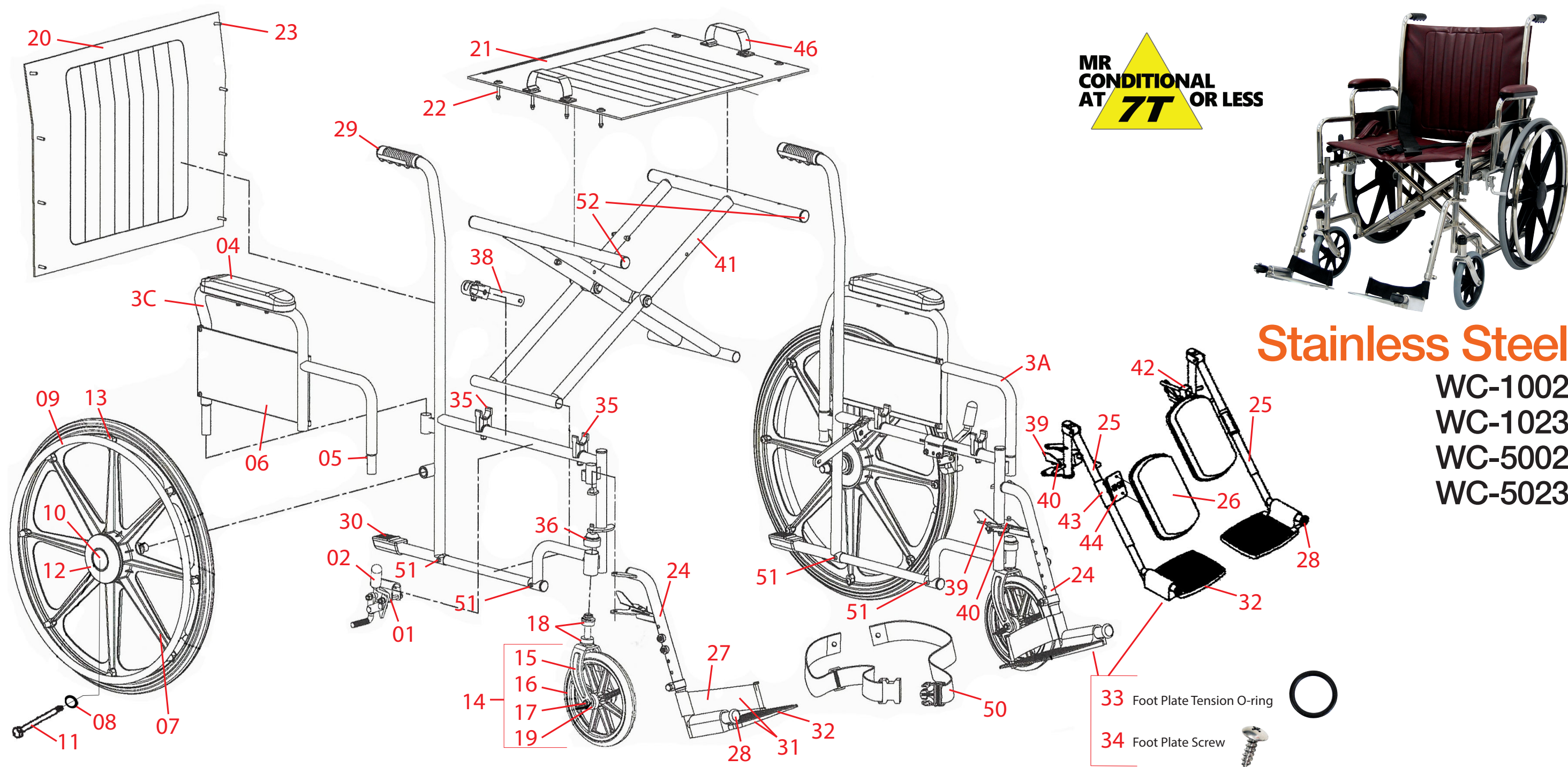


# MRI Parts List | 22" Wide MRI Wheelchair Desk Length Arms



**Stainless Steel**

WC-1002  
WC-1023  
WC-5002  
WC-5023

**Click Fig. Numbers or Table to Visit Products**

Fig	Model	Description
<b>01</b>	<b>RP-1025-L</b> <b>RP-1025-R</b>	Brake Complete, Left * Brake Complete, Right *
<b>02</b>	<b>RP-1081</b>	Rubber Tip for Brake
<b>3A</b>	<b>RP-1063-L-CL</b>	Detach Left Side Desk Length Arm, Complete with skirtguard, armrest & button lock, Color * **
<b>3C</b>	<b>RP-1063-R-CL</b>	Detach Right Side Desk Length Arm, Complete with skirtguard, armrest & button lock, Color * **
<b>04</b>	<b>RP-1038-CL</b>	Desk Length Armrest, Color **
<b>05</b>	<b>RP-1046</b>	Button Lock
<b>06</b>	<b>RP-1043</b>	Skirtguard 13 1/4" x 6"
<b>07</b>	<b>RP-1017</b>	24" Wheel Complete with 5/8" Bearings, Handrim & Hub Cap
<b>08</b>	<b>RP-1181</b>	Washer, for Rear Axle
<b>09</b>	<b>RP-1024</b>	Stainless Steel Handrim
<b>10</b>	<b>RP-1019</b>	5/8" Bearing for Rear Wheel
<b>11</b>	<b>RP-1022</b>	Axle and Nut for Rear Wheel
<b>12</b>	<b>RP-1020</b>	Hub Cap
<b>13</b>	<b>RP-1023</b>	Handrim Screws & Spacers (set of 8)
<b>14</b>	<b>RP-1009</b>	8" Fork Assembly (fork, 8" wheel, bearings & axle)
<b>15</b>	<b>RP-1012</b>	Fork with Nut
<b>16</b>	<b>RP-1010</b>	8" Wheel with Bearings
<b>17</b>	<b>RP-1014</b>	Axle and Nut for Front Wheel
<b>18</b>	<b>RP-1013</b>	Bearing for Fork Stem
<b>19</b>	<b>RP-1011</b>	Bearing for Front Wheel
<b>20</b>	<b>RP-1032-CL</b>	Back Upholstery w/Hardware **
<b>21</b>	<b>RP-1029-CL</b>	Seat Upholstery w/Hardware **

Fig	Model	Description
<b>22</b>	<b>RP-1220</b>	Seat Attaching Hardware Set
<b>23</b>	<b>RP-1222</b>	Back Attaching Hardware Set
<b>24</b>	<b>RP-1002-L</b> <b>RP-1002-R</b>	Footrest Complete Left Side * Footrest Complete Right Side *
<b>25</b>	<b>RP-1110-L-CL</b> <b>RP-1110-R-CL</b>	Legrest Complete Left, Color * ** Legrest Complete Right, Color * **
<b>26</b>	<b>RP-1084-CL</b>	Calf Pad, Color **
<b>27</b>	<b>RP-1007</b>	Heel Loop with Hardware
<b>28</b>	<b>RP-1154</b>	Bumper
<b>29</b>	<b>RP-1082</b>	Handle Grip
<b>30</b>	<b>RP-1083</b>	Kick Tube Cap
<b>31</b>	<b>RP-1121-L</b> <b>RP-1121-R</b>	Foot Plate w/Heel Loop, Left * Foot Plate w/Heel Loop, Right *
<b>32</b>	<b>RP-1122</b>	Footplate Only for Footrest & Legrest Universal Left or Right
<b>33</b>	<b>RP-7016</b>	Tension "O" Ring for Foot Plate
<b>34</b>	<b>RP-7017</b>	Screw for Foot Plate
<b>35</b>	<b>RP-1167</b>	Seat Guide (black nylon)
<b>36</b>	<b>RP-1126</b>	Journal Cap for Fork Stem
<b>38</b>	<b>RP-1159</b>	Pivot Link with Bracket & Hdw
<b>39</b>	<b>RP-7000-L</b> <b>RP-7000-R</b>	Lock Lever Complete, Left * Lock Lever Complete, Right *
<b>40</b>	<b>RP-7002-L</b> <b>RP-7002-R</b>	Spring Only for Lock Lever, Left * Spring Only for Lock Lever, Right *
<b>41</b>	<b>RP-1186</b>	Cross Brace Set
<b>42</b>	<b>RP-7020-L</b> <b>RP-7020-R</b>	Adjustment Rod Complete, Left * Adjustment Rod Complete, Right *
<b>43</b>	<b>RP-7005</b>	Calf Pad Bracket
<b>44</b>	<b>RP-7004</b>	Calf Pad Hinge Plate
<b>46</b>	<b>RP-1212-CL</b>	Handle Closing Straps **
<b>50</b>	<b>RP-1090-22</b>	Safety Belt, for 22" Wide Chairs
<b>51</b>	<b>RP-1196</b>	Cross Brace Frame Bolt, Set of 4
<b>52</b>	<b>RP-3001</b>	Cross Brace Plug, Set of 4