

P

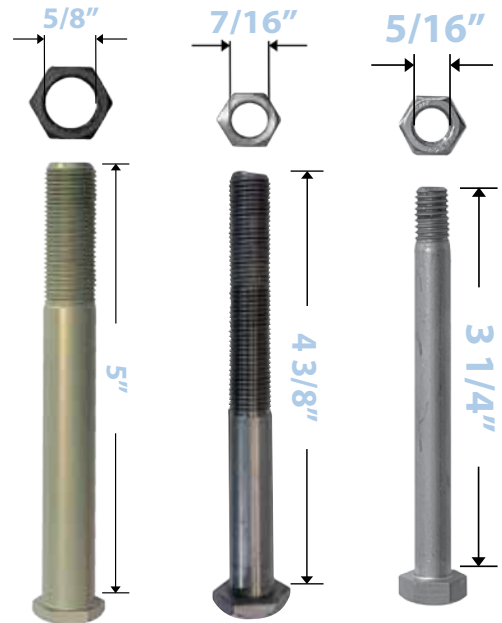


FEATURING MRI PARTS MR CONDITIONAL AT 7T OR LESS

Complete breakdowns for MRlequip's product line, to help you find the part you are looking for.

Parts & Accessories for:

- MRI Wheelchairs**
- MRI Stretchers**
- MRI Step Stools**
- MRI Doctor Stools**
- MRI Mayo Stands**
- MRI Hampers**
- MRI Double Step Stools**
- MRI Injection Stands**
- MRI Oxygen Carts**
- MRI Maintance - Tools**



What can we do for you?

Upon initial contact we will customize a package based upon the procedures performed as well as the strength, weight capacity and brand of MR system(s) used. We will take into account specific product requests and determine the most cost effective solution to our customers needs. We present a quotation on a full custom package including freight, rather than a pre-packaged kit that is incomplete and contains items that may go unused. We specialize in custom non-ferrous products that may require additional time for production. We will provide the necessary lead time and discuss a final purchase order date that will allow for delivery before a grand opening or re-opening. Once a purchase order has been received, upon the customers request; we may hold all products to be delivered at one time or have it delivered as available. Products in stock at the time of order will be immediately tagged for that order and held until the release date. This eliminates the possibility of a stock item at order date becoming out of stock on the release date. We supply MSDS sheets on pertinent products for our customer's records. Two days before release date, we will contact our customer to verify they're ready for the delivery. If there is a delay in the facilities opening, we will hold the product until needed at no additional charge.

Above all else, we will take that extra step in providing our customers with knowledgeable advice, low prices, on-time delivery and excellent customer service. We recognize that each of these attributes are vital to a smooth transaction and a satisfied customer.

Before ordering, please read our company terms and policies on inside back cover.

Safety is our Business!

Our dedication to safety begins at 7:00 AM every day of the work week - it is our livelihood. All products in our warehouse are checked on entry and then re-checked on exit. Products drop shipped from our manufacturers directly to your door are brought in randomly and re-tested for safety verification. We continually work with all manufacturers to ensure safety and proper designation.

For more information on the ASTM Standard, visit www.ASTM.org and search for **2503-13**.

For more helpful information pertaining to MR Safety, you can visit

www.MRI-Planning.com

www.MRISafety.com

www.radiology.upmc.edu/MRSafety

The highly anticipated Standard Practice for Marking Medical Devices for Safety in the Magnetic Resonance Environment by American Society for Testing and Materials (ASTM) has arrived.

As recommended by ASTM Intl; the intent of this practice is to provide needed information about the safety of items in and near MR scanners using a compact and easily recognized set of symbols and terms. The terms MR safe and MR compatible as first defined in 1997 in the FDA draft guidance document, "A Primer on Medical Device Interactions with Magnetic Resonance Imaging Systems," have been used to describe the safety of devices in and near MR systems. However, there has been a great deal of confusion surrounding this terminology. An incorrect assumption is often made, and users often incorrectly assume that items labeled MR safe or MR compatible are safe or compatible for any MR environment. MR environments vary in terms of magnetic field strength and RF conditions. This new system eliminates much of that confusion.

Icon Designation



MR Safe

Any item that poses no known hazards in all MR environments.



MR Conditional

Any item that has been demonstrated to pose no known hazards in a specified MR environment with specified conditions of use. Field conditions that define the specified MR environment include field strength, spatial gradient, dB/dt (time rate of change of the magnetic field), radio frequency (RF) fields, and specific absorption rate (SAR). Additional conditions, including specific configurations of the item, may be required.



MR Unsafe

Any item that is known to pose hazards in all MR environments.

Products **NOT** marked with a designation have been tested under the past methods and are currently being re-evaluated under the new ASTM Standards. Products will be updated continually.

Now, at your fingertips, is a diverse line of Non-Ferrous Parts and Accessories for your MRI environment. MRlequip.com was established to provide the highest quality MRI compatible parts with price tags significantly lower than the current marketplace. In the past, it was a priority to clear the room of all ferrous materials that pose an immediate risk. Now, a majority of those items can be replaced, in extent saving time and creating a friendlier environment for both the patients and the providers. Beyond the standard items, such as wheelchairs, i.v. poles and stools, a whole new world of products has opened up. Ranging from sound systems to furniture, these products increase patient comfort while decreasing concerns for injury and liability.

At MRlequip.com, we are constantly researching new products and welcome any suggestions you might have. If you can't locate what you require, let us know. Our design teams are ready for their next challenge.

Wheelchair Parts	Page
Accessories	23-25
Arm Sockets	10
Armrests Complete	11
Armrest Hardware	12
Axles, Spacers, Brackets	7,8
Bearings	3,4
Brakes	8
Brake Tips	9
Bumpers	9
Calf Pads	14
Caps	9
Cross Braces	21
Detachable Arms	11
Footrest Parts	15,16
Footrest Bumpers	16
Footrests	13
Forks	6
Fork Mount Assembly	6
Grips	9
Handrims	7

Wheelchair Parts	Page
Handle Grips	9
Heel Loops	23
IV Poles	25
Kicktube	9
Legrest Parts	15,16
Legrest Release Lever	15
Legrests	14
Maintenance - Tools	58-61
O2 Holder	25
Pivot Links	22
Rail Guides	10
Seat Gluides	10
Skirt Guards	12
Slide Post	20
Upholstery	17,18,20
Upholstery Hardware	19
Wheels	5,6
Wheelchair Breakdowns	26-36
Wheelchair Frame	20
Wheel Spacers	7

Stretcher Parts	Page
Stainless Steel Stretcher	37-41
Stainless Steel Stretcher Breakdown	37
Aluminum Stretcher	42-45
Aluminum Stretcher Breakdown	43
Company Policy	58

Equipment Parts	Page
Doctor Stool	47-49
Double Step Stool	53-54
Hampers	51-52
Injection Stand	55-56
Mayo Stand	50
Oxygen Cart	57
Step Stool	46

Helpful Tips:

Determine Your Wheelchair Type:

Types: **Stainless Steel** or **Aluminum**

We have color coded and labeled each part. Determine what type you have, see pictures for reference.

Frame Made with **Stainless Steel** or

Frame Made with **Aluminum**

Note: Aluminum Wheelchairs and Stretchers are designed and made with materials to pass Non-Ferromagnetic entry systems. Please note that many stainless steel parts will fit on the aluminum chair and stretcher, but doing this will make the chair or stretcher no longer compatible with your entry system and will give false alarms. All parts are non-magnetic, but not all parts will pass entry system, so if you have an aluminum chair or stretcher, use the proper parts to keep your chair or stretcher compatible with the entry system.

Determine Your Wheelchair Size:

Determine your wheelchair size by measuring the width of your seat upholstery. If the width of your upholstery is 18", then you have an 18" Wide Wheelchair.

Exception: Chairs with Solid Seats, you must add 2" to the width of the solid seat upholstery to determine your chair size.

Example: If the width of your solid seat upholstery is 24", you will add 2" for a 26" Wide Wheelchair.

Determine Left or Right:

Determine Left or Right when sitting in chair or laying on stretcher.

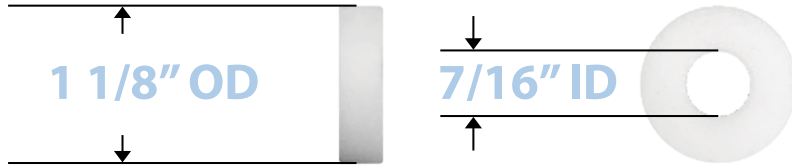


Stainless Steel
Stretcher and Wheelchair



Aluminum
Stretcher and Wheelchair

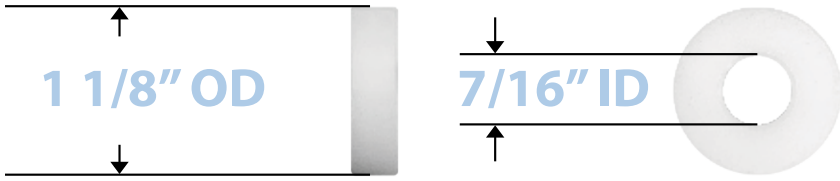




Rear Wheel Bearing, Plastic

Fits 20" Wide **Stainless Steel** Transport Wheelchairs

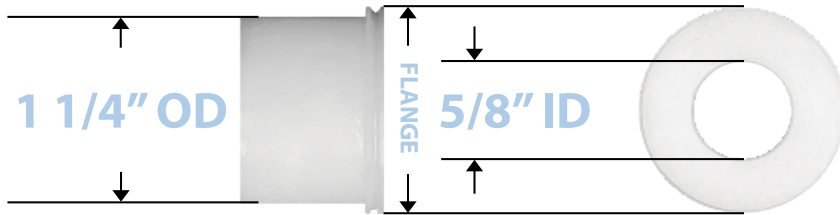
Model	Des.	Price
RP-1178		\$12.52 ea.



Rear Wheel Bearing, Plastic

Fits 18" and 20" Wide **Stainless Steel** Wheelchairs

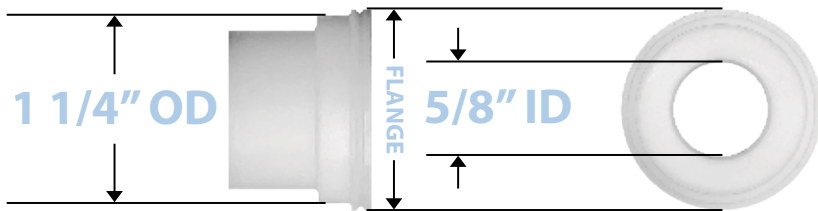
Model	Des.	Price
RP-1018		\$10.55 ea.



Rear Wheel Bearing, Plastic

Fits 22" and 24" Wide Standard **Stainless Steel** Wheelchairs and 20" Wide **Aluminum** Wheelchairs

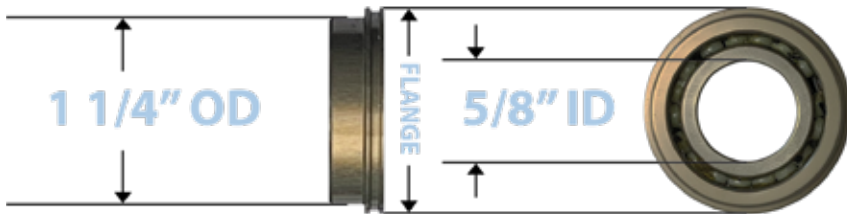
Model	Des.	Price
RP-1019		\$12.24 ea.



Rear Wheel Bearing, Plastic

Fits 24" and 26" Wide **HD Stainless Steel** Wheelchairs, Chairs before 2013

Model	Des.	Price
RP-1080		\$10.55 ea.



Rear Wheel Bearing, Ceramic

Fits 24" and 26" Wide **HD Stainless Steel** Wheelchairs
Fits all **Aluminum** Wheelchairs
Optional for 22" and 24" **Stainless Steel** Wheelchairs

Model	Des.	Price
RP-1156		\$43.51 ea.

Wheelchair Rear Wheel Bearing Fitment Guide

Wheelchair Model	Plastic Bearing	Ceramic Bearing
18" Wide Fixed Footrests, Stainless	RP-1018	N/A
18" Wide Flip-Up Arms, Stainless	RP-1018	N/A
20" Wide Transport Chair, Stainless	RP-1178	N/A
20" Wide Full Arms, Stainless	RP-1018	N/A
22" Wide Desk Arms, Stainless	RP-1019 OR	RP-1156
24" Wide Desk Arms, Stainless	RP-1019 OR	RP-1156

Wheelchair Model	Plastic Bearing	Ceramic Bearing
24" Wide HD Desk Arms, Stainless	N/A	RP-1156
26" Wide HD Desk Arms, Stainless	N/A	RP-1156
20" Wide Desk Arms, Aluminum	RP-1019 OR	RP-1156
22" Wide Desk Arms, Aluminum	N/A	RP-1156
24" Wide HD Desk Arms, Aluminum	N/A	RP-1156



Front Wheel Bearing, Plastic

Fits All Standard **Stainless Steel** Wheelchairs

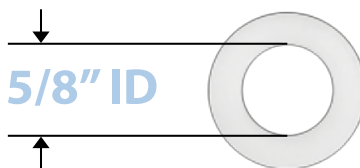
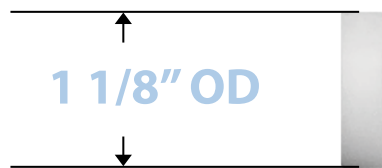
Model	Des.	Price
RP-1011		\$10.55 ea.



Front Wheel Bearing, Plastic

Fits 24" and 26" Wide **HD Stainless Steel** Wheelchairs
All **Aluminum** Wheelchairs

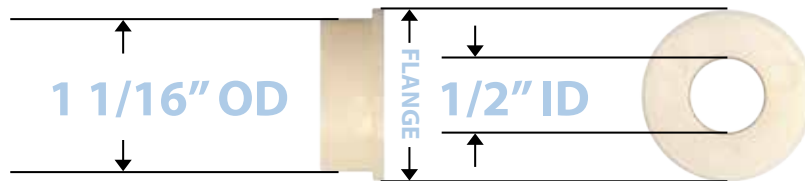
Model	Des.	Price
RP-1163		\$10.55 ea.



Fork Stem Bearing, Plastic

Fits 20" and 22" Wide **Aluminum** Wheelchairs

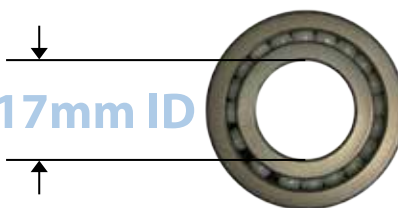
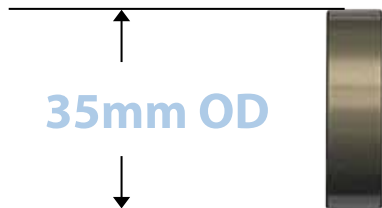
Model	Des.	Price
RP-5023		\$13.84 ea.



Fork Stem Bearing, Plastic

Fits All **Stainless Steel** Wheelchairs

Model	Des.	Price
RP-1013		\$10.55 ea.



Fork Stem Bearing, Ceramic

Fits 24" Wide **HD Aluminum** Wheelchairs

Model	Des.	Price
RP-5060		\$73.14 ea.

Wheelchair Front Wheel Bearing & Fork Stem Bearing Fitment Guide

Wheelchair Model	Wheel	Fork
18" Wide Fixed Footrests, Stainless	RP-1011	RP-1013
18" Wide Flip-Up Arms, Stainless	RP-1011	RP-1013
20" Wide Transport Chair, Stainless	RP-1011	RP-1013
20" Wide Full Arms, Stainless	RP-1011	RP-1013
22" Wide Desk Arms, Stainless	RP-1011	RP-1013
24" Wide Desk Arms, Stainless	RP-1011	RP-1013

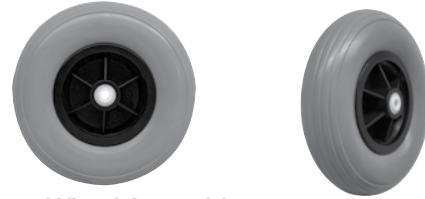
Wheelchair Model	Wheel	Fork
24" Wide HD Desk Arms, Stainless	RP-1163	RP-1013
26" Wide HD Desk Arms, Stainless	RP-1163	RP-1013
20" Wide Desk Arms, Aluminum	RP-1163	RP-5023
22" Wide Desk Arms, Aluminum	RP-1163	RP-5023
24" Wide HD Desk Arms, Aluminum	RP-1163	RP-5060



8" Front Wheel Assembly

Fits All Standard **Stainless Steel** Wheelchairs and Transport Chairs

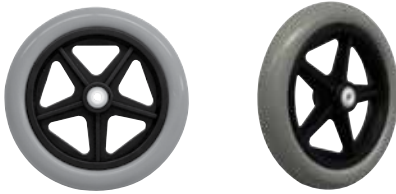
Model	Des.	Description	Price
RP-1010		5/16" Axle Size, Plastic Bearing	\$31.64 ea.



8" Front Wheel Assembly

Fits 24" & 26" Wide **HD Stainless Steel** Wheelchairs

Model	Des.	Description	Price
RP-1048		5/16" Axle Size, Plastic Bearing	\$39.55 ea.



8" Front Wheel Assembly

Fits All **Aluminum** Wheelchairs

Model	Des.	Description	Price
RP-5021		5/16" Axle Size, Plastic Bearing	\$48.78 ea.



12 1/2" Transport Chair Rear Wheel Assembly

Fits 20" Wide **Stainless Steel** Transport Wheelchairs

Model	Des.	Description	Price
RP-1064		7/16" Axle Size, Plastic Bearing	\$139.05 ea.



24" Rear Wheels and Bearings, Stainless Steel Handrims

RP-1016 | Fits 18" & 20" Wide **Stainless Steel** Wheelchairs

RP-1017 | Fits 22" & 24" Wide Standard **Stainless Steel** Wheelchairs

RP-1171 | Fits 24" & 26" Wide **HD Stainless Steel** Wheelchairs

Model	Des.	Description	Price
RP-1016		7/16" Axle Size, Plastic Bearing	\$248.00 ea.
RP-1017		5/8" Axle Size, Plastic Bearing	\$248.00 ea.
RP-1171		5/8" Axle Size, Ceramic Bearing	\$309.00 ea.



24" Rear Wheels and Bearings, Black Nylon Handrims

RP-5058 | Fits 20" Wide **Aluminum** Wheelchairs

RP-5059 | Fits 22" & 24" Wide **Aluminum** Wheelchairs

Model	Des.	Description	Price
RP-5058		5/8" Axle Size, Plastic Bearing	\$231.00 ea.
RP-5059		5/8" Axle Size, Ceramic Bearing	\$289.00 ea.

Wheelchair Wheels Fitment Guide

Wheelchair Model	8" Wheel	12 1/2" Wheel	24" Wheel
18" Wide Fixed Footrests, Stainless	RP-1010	N/A	RP-1016
18" Wide Flip-Up Arms, Stainless	RP-1010	N/A	RP-1016
20" Wide Transport Chair, Stainless	RP-1010	RP-1064	N/A
20" Wide Full Arms, Stainless	RP-1010	N/A	RP-1016
22" Wide Desk Arms, Stainless	RP-1010	N/A	RP-1017
24" Wide Desk Arms, Stainless	RP-1010	N/A	RP-1017

Wheelchair Model	8" Wheel	24" Wheel
24" Wide HD Desk Arms, Stainless	RP-1048	RP-1171
26" Wide HD Desk Arms, Stainless	RP-1048	RP-1171
20" Wide Desk Arms, Aluminum	RP-5021	RP-5058
22" Wide Desk Arms, Aluminum	RP-5021	RP-5059
24" Wide HD Desk Arms, Aluminum	RP-5021	RP-5059

Front Forks, Wheels, and Hardware



Front Fork, Stainless Steel
Fits All **Stainless Steel** Wheelchairs

Model	Des.	Price
RP-1012		\$65.03 ea.



Front Fork, Aluminum
Fits 20" & 22" Wide **Aluminum** Wheelchairs

Model	Des.	Price
RP-5022		\$63.94 ea.



Front Fork, Aluminum
Fits 24" Wide **HD Aluminum** Wheelchairs

Model	Des.	Price
RP-5025		\$73.63 ea.



Front Fork and Wheel
Fits All Standard **Stainless Steel** Wheelchairs

Model	Des.	Price
RP-1009		\$107.23 ea.



Front Fork and Wheel
Fits **HD Stainless Steel** Wheelchairs

Model	Des.	Price
RP-1047		\$113.08 ea.



Front Fork and Wheel
Fits 20" & 22" Wide **Aluminum** Wheelchairs

Model	Des.	Price
RP-5075		\$112.36 ea.



Front Fork and Wheel
Fits 24" Wide **HD Aluminum** Wheelchairs

Model	Des.	Price
RP-5076		\$122.04 ea.

Fork Housing for Aluminum Wheelchairs



Fork Mount Assembly
Fits 20" & 22" Wide **Aluminum** Wheelchairs

Model	Des.	Price
RP-5002-L		\$181.99 ea.
RP-5002-R		\$181.99 ea.



Fork Mount Assembly
Fits 24" Wide **HD Aluminum** Wheelchairs

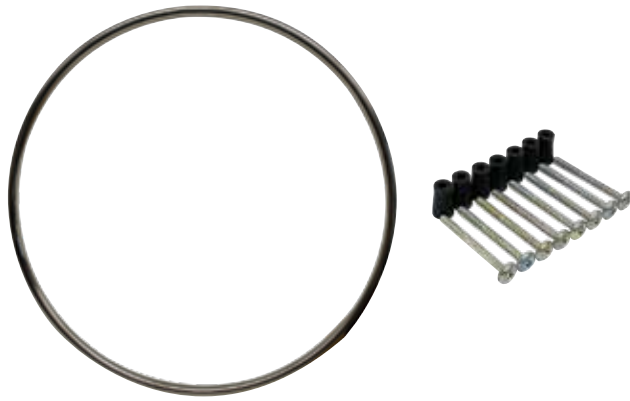
Model	Des.	Price
RP-5020-L		\$246.00 ea.
RP-5020-R		\$246.00 ea.

Wheelchair Fork & Wheels Fitment Guide

Wheelchair Model	Fork	Fork/Wheel
18" Wide Fixed Footrests, Stainless	RP-1012	RP-1009
18" Wide Flip-Up Arms, Stainless	RP-1012	RP-1009
20" Wide Transport Chair, Stainless	RP-1012	RP-1009
20" Wide Full Arms, Stainless	RP-1012	RP-1009
22" Wide Desk Arms, Stainless	RP-1012	RP-1009
24" Wide Desk Arms, Stainless	RP-1012	RP-1009

Wheelchair Model	Fork	Fork/Wheel	Fork Mount	Fork Mount
24" Wide HD Desk Arms, Stainless	RP-1012	RP-1047	N/A	N/A
26" Wide HD Desk Arms, Stainless	RP-1012	RP-1047	N/A	N/A
20" Wide Desk Arms, Aluminum	RP-5022	RP-5075	RP-5002-L	RP-5002-R
22" Wide Desk Arms, Aluminum	RP-5022	RP-5075	RP-5002-L	RP-5002-R
24" Wide HD Desk Arms, Aluminum	RP-5025	RP-5076	RP-5020-L	RP-5020-R

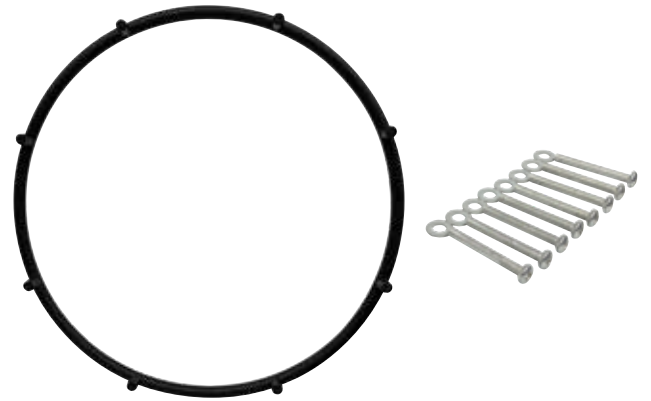
Determine Left or Right When Sitting In Chair



Stainless Steel Handrims and Hardware

Fits All **Stainless Steel** Wheelchairs

Model	Des.	Description	Price
RP-1024		Stainless Steel Handrim	\$84.88 ea.
RP-1023		Stainless Screws and Spacers, Set of 8	\$27.69 set



Black Nylon Handrims and Hardware

Fits All **Aluminum** Wheelchairs

Model	Des.	Description	Price
RP-5032		Black Nylon Handrim	\$29.66 ea.
RP-5030		Aluminum Screws and Washers, Set of 8	\$39.55 set



Rear Wheel Axle Washer

Washer goes between Axle Head and Bearing, Used with Plastic Bearings
 RP-1180 | Fits 18" & 20" Wide **Stainless Steel** Wheelchairs

RP-1181 | Fits 22" & 24" Wide **Stainless Steel** Wheelchairs and 20" Wide **Aluminum** Wheelchair

Model	Des.	Description	Price
RP-1180		7/16" Axle Size, Aluminum	\$6.59 ea.
RP-1181		5/8" Axle Size, Aluminum	\$6.59 ea.



Rear Wheel Axle Bracket w/ Hardware

Fits All **Aluminum** Wheelchairs

Model	Des.	Description	Price
RP-5046-L		5/8" Axle Size, Aluminum	\$33.62 ea.
RP-5046-R		5/8" Axle Size, Aluminum	\$33.62 ea.

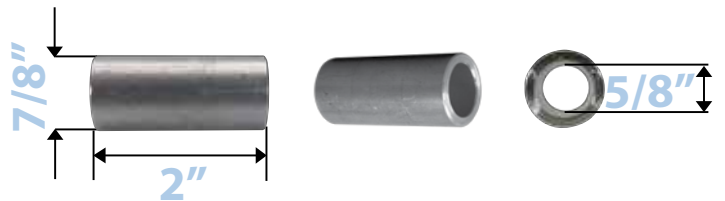
Determine Left or Right When Sitting In Chair



Rear Wheel Spacer For All Aluminum Wheelchairs

Fits All **Aluminum** Wheelchairs, Spacer goes Between Wheel and Frame

Model	Des.	Description	Price
RP-5077		5/8" Axle Size, Aluminum	\$10.55 ea.



Rear Wheel Bushing/Spacer Use with Ceramic Bearing

Fits 24" and 26" Wide **HD Stainless Steel** Wheelchairs and 22" and 24" **HD Aluminum** Wheelchairs. Use when Ceramic Bearings are Used.

Spacer goes Inbetween Bearings in Wheel

Model	Des.	Description	Price
RP-1179		5/8" Axle Size, Aluminum	\$11.21 ea.

Wheelchair Wheels Hardware & Handrim Guide

Wheelchair Model	Washer	Handrim
18" Wide Fixed Footrests, Stainless	RP-1180	RP-1024
18" Wide Flip-Up Arms, Stainless	RP-1180	RP-1024
20" Wide Transport Chair, Stainless	RP-1180	RP-1024
20" Wide Full Arms, Stainless	RP-1180	RP-1024
22" Wide Desk Arms, Stainless	RP-1181	RP-1024
24" Wide Desk Arms, Stainless	RP-1181	RP-1024

Wheelchair Model	Bushing	Washer	Handrim	Spacer
24" Wide HD Desk Arms, Stainless	RP-1179	N/A	RP-1024	N/A
26" Wide HD Desk Arms, Stainless	RP-1179	N/A	RP-1024	N/A
20" Wide Desk Arms, Aluminum	N/A	RP-1181	RP-5032	RP-5077
22" Wide Desk Arms, Aluminum	RP-1179	N/A	RP-5032	RP-5077
24" Wide HD Desk Arms, Aluminum	RP-1179	N/A	RP-5032	RP-5077

Wheelchair Brakes



Model	Des.	Side	Price
RP-1025-L		Left	\$43.51 ea.
RP-1025-R		Right	\$43.51 ea.

Fits All **Stainless Steel** Wheelchairs

Determine Left or Right When Sitting In Chair



Model	Des.	Side	Price
RP-5000-L		Left	\$56.69 ea.
RP-5000-R		Right	\$56.69 ea.

Fits All **Aluminum** Wheelchairs

Wheelchair Axles

Front Axle, Aluminum

Fits All **Aluminum** Wheelchairs

Model	Des.	Price
RP-5026		\$12.52 ea.

Front Axle, Stainless Steel

Fits All **Stainless Steel** Wheelchairs

Model	Des.	Price
RP-1014		\$15.16 ea.

Rear Axle, Stainless Steel

Fits 20" Wide **Stainless Steel** Transport Chairs

Model	Des.	Price
RP-1065		\$31.64 ea.

Rear Axle, Aluminum

Fits All **Aluminum** Wheelchairs

Model	Des.	Price
RP-5029		\$48.78 ea.

Rear Axle, Stainless Steel

Fits 18" & 20" **Stainless Steel** Wheelchairs

Model	Des.	Price
RP-1021		\$33.62 ea.

Rear Axle, Stainless Steel

Fits 22", 24" & 26" Standard and **HD Stainless Steel** Wheelchairs

Model	Des.	Price
RP-1022		\$87.71 ea.



Wheelchair Axle Fitment Guide

Wheelchair Model	Front	Rear
18" Wide Fixed Footrests, Stainless	RP-1014	RP-1021
18" Wide Flip-Up Arms, Stainless	RP-1014	RP-1021
20" Wide Transport Chair, Stainless	RP-1014	RP-1065
20" Wide Full Arms, Stainless	RP-1014	RP-1021
22" Wide Desk Arms, Stainless	RP-1014	RP-1022
24" Wide Desk Arms, Stainless	RP-1014	RP-1022

Wheelchair Model	Front	Rear
24" Wide HD Desk Arms, Stainless	RP-1014	RP-1022
26" Wide HD Desk Arms, Stainless	RP-1014	RP-1022
20" Wide Desk Arms, Aluminum	RP-5026	RP-5029
22" Wide Desk Arms, Aluminum	RP-5026	RP-5029
24" Wide HD Desk Arms, Aluminum	RP-5026	RP-5029

Handle Grips and Break Tips



Break Tip

Fits All Wheelchairs

Model	Des.	Price
RP-1081		\$5.93 ea.



Foam Handgrip

Fits All **Aluminum** Wheelchairs

Model	Des.	Price
RP-5063		\$11.21 ea.



Handle Grip

Fits All **Stainless Steel** Wheelchairs

Model	Des.	Price
RP-1082		\$11.21 ea.

Journal Caps



Journal Cap

Fits All **Stainless Steel** Wheelchairs

Model	Des.	Price
RP-1126		\$7.95 ea.



Journal Cap

Fits 20" & 22" **Aluminum** Wheelchairs
Hub Cap for 20" Transport **Stainless Steel** Wheelchair

Model	Des.	Price
RP-5061		\$11.21 ea.



Journal Cap and Hub Cap

Journal Cap for 24" **Aluminum** Wheelchairs
Hub Cap for Old **HD** 24" and 26" **Stainless Steel** Wheelchairs Before 2013

Model	Des.	Price
RP-1095		\$5.93 ea.

Footrest Bumpers



Footrest Roller Bumper

Fits All **Stainless Steel** Wheelchairs

Model	Des.	Price
RP-1068		\$11.21 ea.



Footrest Bumper

Fits All **Stainless Steel** Wheelchairs

Model	Des.	Price
RP-1154		\$10.55 ea.



Front Bumper w/ Screw Hardware

Fits 24" Wide **HD Aluminum** Wheelchair

Model	Des.	Price
RP-5011		\$11.21 ea.

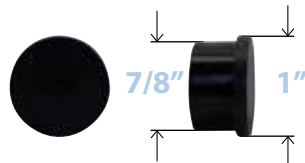
Crossbrace Plugs



Crossbrace Plug

Fits 18" Fixed Footrest **Stainless Steel** Wheelchair

Model	Des.	Price
RP-1135		\$5.93 ea.



Crossbrace Plug

Fits 18" to 24" Wide **Stainless Steel** Wheelchairs, Set of 4

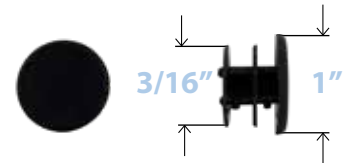
Model	Des.	Price
RP-3001		\$8.38 set.



Crossbrace Plug

Fits 24" and 26" **HD Wide Stainless Steel** Wheelchairs, Set of 4

Model	Des.	Price
RP-3002		\$9.84 set.



Crossbrace Plug

Fits 20 and 22" Wide **Aluminum** Wheelchair, Set of 4

Model	Des.	Price
RP-3000		\$5.64 set.

Wheelchair Hub Cap and Kicktubes



Wheelchair Hub Caps

Fits All Standard **Stainless Steel** Chairs
Fits All **Aluminum** Chairs.

Model	Des.	Price
RP-1020		\$10.55 ea.



Wheelchair Kicktube Bumpers

Fits All **Stainless Steel** Chairs

Model	Des.	Price
RP-1083		\$10.60 ea.



Wheelchair Kicktube Bumpers

Fits 20" and 22" **Aluminum** Wheelchairs

Model	Des.	Price
RP-5043		\$5.93 ea.



Wheelchair Kicktube Bumpers

Fits 24" **Aluminum** Wheelchair

Model	Des.	Price
RP-6000		\$5.93 ea.



Wheelchair Rail Glide

Fits 18" Wide Fixed Footrest
Stainless Steel Wheelchairs

Model	Des.	Price
RP-1169		\$6.59 ea.



Wheelchair Seat Guide

Fits Rear, 20" and 22" Wide
Aluminum Wheelchairs

Model	Des.	Price
RP-5064		\$15.16 ea.



Wheelchair Seat Guide

Fits Front and Rear on all **Stainless Steel** Wheelchairs

Model	Des.	Price
RP-1167		\$11.21 ea.

Wheelchair Seat Guide

Fits Front, 22" Wide **Aluminum** Wheelchairs

Model	Des.	Price
RP-5066		\$21.09 ea.



Wheelchair Seat / Arm Guide

Fits 18" Wide Flip-Up Arm **Stainless Steel** Wheelchairs,
 Left Side Pictured

Model	Des.	Price
RP-1168-L		\$13.84 ea.
RP-1168-R		\$13.84 ea.



Wheelchair Seat / Arm Guide

Fits 20" Wide **Aluminum** Wheelchairs,
 Left Side Pictured

Model	Des.	Price
RP-5039-L		\$27.69 ea.
RP-5039-R		\$27.69 ea.



Wheelchair Arm Sockets

Fits 22" and 24" **HD** Wide **Aluminum** Wheelchairs,
 Left Side Pictured

Model	Des.	Price
RP-5041-L		\$65.33 ea.
RP-5041-R		\$65.33 ea.

Wheelchair Seat Guide & Arm Sockets Fitment Guide

Wheelchair Model	Left Guide	Right Guide
18" Wide Fixed Footrests, Stainless	RP-1169	RP-1169
18" Wide Flip-Up Arms, Stainless	RP-1168-L RP-1167	RP-1168-R RP-1167
20" Wide Transport Chair, Stainless	RP-1167	RP-1167
20" Wide Full Arms, Stainless	RP-1167	RP-1167
22" Wide Desk Arms, Stainless	RP-1167	RP-1167
24" Wide Desk Arms, Stainless	RP-1167	RP-1167

Wheelchair Model	Left Guide	Right Guide
24" Wide HD Desk Arms, Stainless	RP-1167	RP-1167
26" Wide HD Desk Arms, Stainless	RP-1167	RP-1167
20" Wide Desk Arms, Aluminum	RP-5064 RP-5039-L	RP-5064 RP-5039-R
22" Wide Desk Arms, Aluminum	RP-5064 RP-5041-L RP-5066	RP-5064 RP-5041-R RP-5066
24" Wide HD Desk Arms, Aluminum	RP-5041-L	RP-5041-R

Determine Left or Right When Sitting In Chair

Wheelchair Arms



Full Arm Assembly

Fits 18" Fixed Footrest and 20" Wide **Stainless Steel** Wheelchairs

Model	Des.	Side	Price
RP-1100-L-CL	⚠	Left	\$132.57 ea.
RP-1100-R-CL	⚠	Right	\$132.57 ea.



Full Arm Assembly

Fits 22" and 24" Wide **Stainless Steel** Wheelchairs

Model	Des.	Side	Price
RP-1063-L-CL	⚠	Left	\$164.48 ea.
RP-1063-R-CL	⚠	Right	\$164.48 ea.



Full Arm Assembly

Fits 24" and 26" Wide **HD Stainless Steel** Wheelchairs

Left	Des.	Side	Price
RP-1062-L-CL	⚠	Left	\$189.01 ea.
RP-1062-R-CL	⚠	Right	\$189.01 ea.



Full Arm Assembly

Fits 18" Wide Flip Up Arm **Stainless Steel** Wheelchairs

Model	Des.	Side	Price
RP-1044-L-CL	⚠	Left	\$136.08 ea.
RP-1044-R-CL	⚠	Right	\$136.08 ea.



Full Arm Assembly

Fits 20" Wide **Aluminum** Wheelchairs

Model	Des.	Side	Price
RP-5035-L-CL	⚠	Left	\$178.44 ea.
RP-5035-R-CL	⚠	Right	\$178.44 ea.



Full Arm Assembly

Fits 22" and 24" **HD Wide Aluminum** Wheelchairs

Model	Des.	Side	Price
RP-5037-L-CL	⚠	Left	\$178.44 ea.
RP-5037-R-CL	⚠	Right	\$178.44 ea.

Determine Left or Right When Sitting In Chair

Specify Color



(10) Burgundy



(50) Green



(60) Dark Blue

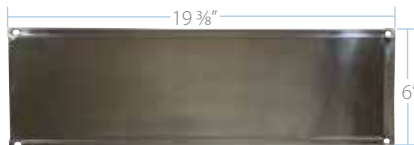
Wheelchair Armrest Assembly Fitment Guide

Wheelchair Model	Left Side	Right Side
18" Wide Fixed Footrests, Stainless	RP-1100-L-CL	RP-1100-R-CL
18" Wide Flip-Up Arms, Stainless	RP-1044-L-CL	RP-1044-R-CL
20" Wide Transport Chair, Stainless	RP-1100-L-CL	RP-1100-R-CL
20" Wide Full Arms, Stainless	RP-1100-L-CL	RP-1100-R-CL
22" Wide Desk Arms, Stainless	RP-1063-L-CL	RP-1063-R-CL
24" Wide Desk Arms, Stainless	RP-1063-L-CL	RP-1063-R-CL

Wheelchair Model	Left Side	Right Side
24" Wide HD Desk Arms, Stainless	RP-1062-L-CL	RP-1062-R-CL
26" Wide HD Desk Arms, Stainless	RP-1062-L-CL	RP-1062-R-CL
20" Wide Desk Arms, Aluminum	RP-5035-L-CL	RP-5035-R-CL
22" Wide Desk Arms, Aluminum	RP-5037-L-CL	RP-5037-R-CL
24" Wide HD Desk Arms, Aluminum	RP-5037-L-CL	RP-5037-R-CL

Determine Left or Right When Sitting In Chair

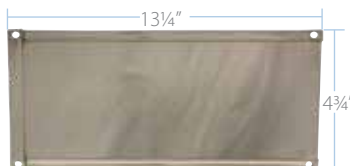
Skirt Guards



Skirt Guard w/ Attaching Hardware

Fits 18" Fixed Footrest and 20" Wide **Stainless Steel** Wheelchairs

Model	Des.	Price
RP-1058		\$27.69 ea.



Skirt Guard w/ Attaching Hardware

Fits 18" Wide Flip-Up Arm **Stainless Steel** Wheelchairs

Model	Des.	Price
RP-1087		\$33.62 ea.



Skirt Guard w/ Attaching Hardware

Fits 22" and 24" Standard Wheelchairs and 24" & 26" Wide **HD Stainless Steel** Wheelchairs

Model	Des.	Price
RP-1043		\$27.69 ea.



Skirt Guard

Fits 20", 22" and 24" Wide **Aluminum** Wheelchairs

Model	Des.	Price
RP-5034		\$43.51 ea.



Armrest Release Lever

Fits 18" **Stainless Steel** Flip Back Arms
Fits All **Aluminum** Wheelchairs

Model	Des.	Price
RP-1099		\$18.46 ea.



Flip-Back Arm Hardware

Fits 20" **Stainless Steel** Flip Back Arms

Nut, Bolt, Bushings, & Spacers

Model	Des.	Price
RP-1098		\$14.03 ea.



Flip-Back Arm Hardware

Rear Arm Hardware for **Aluminum** Flip Back Arms, Nut, Bolt, & Spacers

Model	Des.	Price
RP-1097		\$11.21 ea.



Armrest Button Lock

Fits All **Stainless Steel** Wheelchairs

Model	Des.	Price
RP-1046		\$18.46 ea.

Padded Armrests



Full Length Arm Rest

9" Hole Spacing

Fits 18" Wide Fixed Footrest, **Stainless Steel**
Fits 20" Transport Chair, **Stainless Steel**
Fits 20" Full Arms, **Stainless Steel**

Model	Des.	Price
RP-1035-CL		\$21.09 ea.



Desk Length Arm Rest

4 1/4" Hole Spacing

Fits 18" Wide Flip Up Arm, **Stainless Steel**
Fits 22" Wide Desk Arms, **Stainless Steel**
Fits 24" Wide Desk Arms, **Stainless Steel**
Fits 24" Wide **HD** Desk Arms, **Stainless Steel**
Fits 26" Wide **HD** Desk Arms, **Stainless Steel**

Model	Des.	Price
RP-1038-CL		\$21.09 ea.



Desk Length Arm Rest

4 1/4" Hole Spacing

Fits All **Aluminum** Wheelchairs

Model	Des.	Price
RP-5033-CL		\$31.64 ea.

Specify Color



(10) Burgundy



(50) Green



(60) Dark Blue

Wheelchair Skirt Guards & Armrest Fitment Guide

Wheelchair Model	Skirt Guard	Armrest
18" Wide Fixed Footrests, Stainless	RP-1058	RP-1035-CL
18" Wide Flip-Up Arms, Stainless	RP-1087	RP-1038-CL
20" Wide Transport Chair, Stainless	RP-1058	RP-1035-CL
20" Wide Full Arms, Stainless	RP-1058	RP-1035-CL
22" Wide Desk Arms, Stainless	RP-1043	RP-1038-CL
24" Wide Desk Arms, Stainless	RP-1043	RP-1038-CL

Wheelchair Model	Skirt Guard	Armrest
24" Wide HD Desk Arms, Stainless	RP-1043	RP-1038-CL
26" Wide HD Desk Arms, Stainless	RP-1043	RP-1038-CL
20" Wide Desk Arms, Aluminum	RP-5034	RP-5033-CL
22" Wide Desk Arms, Aluminum	RP-5034	RP-5033-CL
24" Wide HD Desk Arms, Aluminum	RP-5034	RP-5033-CL



Complete Footrest

Fits 18" Flip Up Arm and 20" Wide
Stainless Steel Wheelchairs
 Pin Spacing 3" Standard, 5/16" Pin Hole

Model	Des.	Side	Price
RP-1000-L		Left	\$118.37 ea.
RP-1000-R		Right	\$118.37 ea.



Complete Footrest

Fits 22" and 24" Wide Standard
Stainless Steel Wheelchairs
 Pin Spacing 3" Standard, 5/16" Pin Hole

Model	Des.	Side	Price
RP-1002-L		Left	\$189.41 ea.
RP-1002-R		Right	\$189.41 ea.



Complete Footrest

Fits 24" and 26" Wide **HD**
Stainless Steel Wheelchairs
 Pin Spacing 3" Standard, 5/16" Pin Hole

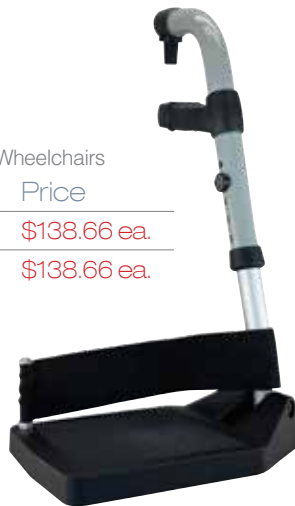
Model	Des.	Side	Price
RP-1075-L		Left	\$213.00 ea.
RP-1075-R		Right	\$213.00 ea.

Determine Left or Right When Sitting In Chair

Complete Footrest

Fits 20" and 22" Wide **Aluminum** Wheelchairs

Model	Des.	Side	Price
RP-5003-L		Left	\$138.66 ea.
RP-5003-R		Right	\$138.66 ea.



Complete Footrest

Fits 24" Wide **HD Aluminum** Wheelchairs

Model	Des.	Side	Price
RP-5005-L		Left	\$204.00 ea.
RP-5005-R		Right	\$204.00 ea.



Wheelchair Footrest Assembly Fitment Guide

Wheelchair Model	Footrest Left	Footrest Right
18" Wide Fixed Footrests, Stainless	N/A	N/A
18" Wide Flip-Up Arms, Stainless	RP-1000-L	RP-1000-R
20" Wide Transport Chair, Stainless	RP-1000-L	RP-1000-R
20" Wide Full Arms, Stainless	RP-1000-L	RP-1000-R
22" Wide Desk Arms, Stainless	RP-1002-L	RP-1002-R
24" Wide Desk Arms, Stainless	RP-1002-L	RP-1002-R

Wheelchair Model	Footrest Left	Footrest Right
24" Wide HD Desk Arms, Stainless	RP-1075-L	RP-1075-R
26" Wide HD Desk Arms, Stainless	RP-1075-L	RP-1075-R
20" Wide Desk Arms, Aluminum	RP-5003-L	RP-5003-R
22" Wide Desk Arms, Aluminum	RP-5003-L	RP-5003-R
24" Wide HD Desk Arms, Aluminum	RP-5005-L	RP-5005-R

Determine Left or Right When Sitting In Chair

Standard



Complete Elevating Legrest

Fits 18", 20", 22", and 24" Wide Standard

Stainless Steel Wheelchairs

Pin Spacing 3" Standard, 5/16" Pin Hole

Model	Des.	Side	Price
RP-1110-L-CL		Left	\$252.00 ea.
RP-1110-R-CL		Right	\$252.00 ea.

Heavy Duty



Calf Pad For Legrest

Fits All **Stainless Steel** Wheelchair Legrests

Model	Des.	Price
RP-1084-CL		\$29.66 ea.

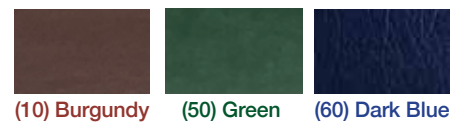
Complete Elevating Legrest

Fits 24" and 26" Wide **HD Stainless Steel** Wheelchairs

Pin Spacing 3" Standard, 5/16" Pin Hole

Model	Des.	Side	Price
RP-1112-L-CL		Left	\$294.00 ea.
RP-1112-R-CL		Right	\$294.00 ea.

Specify Color



Wheelchair Footrest & Legrest Fitment Guide

Wheelchair Model	Legrest Left	Legrest Right
18" Wide Fixed Footrests, Stainless	N/A	N/A
18" Wide Flip-Up Arms, Stainless	RP-1110-L-CL	RP-1110-R-CL
20" Wide Transport Chair, Stainless	RP-1110-L-CL	RP-1110-R-CL
20" Wide Full Arms, Stainless	RP-1110-L-CL	RP-1110-R-CL
22" Wide Desk Arms, Stainless	RP-1110-L-CL	RP-1110-R-CL
24" Wide Desk Arms, Stainless	RP-1110-L-CL	RP-1110-R-CL

Wheelchair Model	Legrest Left	Legrest Left
24" Wide HD Desk Arms, Stainless	RP-1112-L-CL	RP-1112-R-CL
26" Wide HD Desk Arms, Stainless	RP-1112-L-CL	RP-1112-R-CL
20" Wide Desk Arms, Aluminum	N/A	N/A
22" Wide Desk Arms, Aluminum	N/A	N/A
24" Wide HD Desk Arms, Aluminum	N/A	N/A

Determine Left or Right When Sitting In Chair

Stainless Steel Footrest and Legrest Parts



Footrest and Legrest Release Spring and Hardware

Fits All **Stainless Steel** Footrests and Legrests

Model	Des.	Side	Price
RP-7002-L		Left	\$13.84 ea.
RP-7002-R		Right	\$13.84 ea.



Lock Lever Complete For Footrest and Legrest

Fits all **Stainless Steel** Footrests and Legrests

Model	Des.	Side	Price
RP-7000-L		Left	\$31.64 ea.
RP-7000-R		Right	\$31.64 ea.

Determine Left or Right When Sitting In Chair



Calf Pad Hinge Plate for Legrest

Fits All **Stainless Steel** Legrests

Model	Des.	Price
RP-7004		\$27.69 ea.



Calf Pad Bracket for Legrest

Fits all **Stainless Steel** Legrests

Model	Des.	Price
RP-7005		\$33.62 ea.



Legrest Adjustment Rod

Fits All **Stainless Steel** Legrests

Model	Des.	Side	Price
RP-7020-L		Left	\$72.54 ea.
RP-7020-R		Right	\$72.54 ea.

Aluminum Footrest Parts



Footrest Lock Lever Complete

Fits All **Aluminum** Footrests

Model	Des.	Price
RP-5069		\$43.51 ea.



Replacement Footrest Spring

Fits All **Aluminum** Footrests

Model	Des.	Price
RP-1150		\$10.55 ea.



Replacement Footrest Bolt

Fits All **Aluminum** Footrests

Model	Des.	Price
RP-1193		\$15.16 ea.



Footrest Lock U-Pin

Fits All **Aluminum** Wheelchairs

Model	Des.	Price
RP-5067		\$15.16 ea.



Front Rigging Top Mount Bushing

Fits All **Aluminum** Wheelchairs

Model	Des.	Price
RP-5072		\$13.84 ea.

Standard Footplates



Footplate

Fits 18", 20", 22", and 24" Wide Standard **Stainless Steel** Wheelchairs

Model	Des.	Price
RP-1122		\$26.36 ea.



Footplate w/ Heel Loop

Fits 18", 20", 22", and 24" Wide Standard **Stainless Steel** Wheelchairs

Model	Des.	Price
RP-1121-L		\$54.59 ea.
RP-1121-R		\$54.59 ea.



Footrest Plate & Extension Tube, Heel Loop & Rubber Bumper

Fits 18" Wide Fixed Footrest **Stainless Steel** Wheelchairs

Model	Des.	Price
RP-1004-L		\$71.69 ea.
RP-1004-R		\$71.69 ea.

Heavy Duty Footplates



HD Footplate

Fits 24" and 26" Wide **HD Stainless Steel** Wheelchairs
Fits 24" Wide **HD Aluminum** Wheelchair

Model	Des.	Price
RP-1164		\$52.74 ea.



HD Footplate w/ Heel Loop

Fits 24" and 26" Wide **HD Stainless Steel** Wheelchairs
Fits 24" Wide **HD Aluminum** Wheelchair

Model	Des.	Price
RP-1165-L		\$59.28 ea.
RP-1165-R		\$59.28 ea.



Plastic Footplate

Fits 20" and 22" Wide **Aluminum** Wheelchairs

Model	Des.	Price
RP-1174		\$15.16 ea.

Attaching Hardware for Plastic Footplate

Fits 20" and 22" Wide **Aluminum** Wheelchairs

Model	Des.	Price
RP-1193		\$15.16 ea.

Footrest and Legrests Parts



Front Rigging Bumper Screws

Fits All **Stainless Steel** Wheelchairs

Model	Des.	Price
RP-7017		\$0.22 ea.



Footplate Tension "O"-Ring

Holds Footplate When Folded Up
Fits All **Stainless Steel** Wheelchairs

Model	Des.	Price
RP-7016		\$5.93 ea.



Front Bumper w/ Screw Hardware

Fits 24" Wide **Aluminum** Wheelchair

Model	Des.	Price
RP-5011		\$11.21 ea.



Front Rigging, Roller Bumper

Fits All **Stainless Steel** Wheelchairs

Model	Des.	Price
RP-1068		\$11.21 ea.



Front Rigging Bumper-Black

Fits All **Stainless Steel** Wheelchairs

Model	Des.	Price
RP-1154		\$10.55 ea.



Back, Wheelchair Upholstery

Fits **Stainless Steel** Wheelchair Sizes Below
 Attaching Hardware Included
 Hole Punch, On Sizes Listed Below
 From Top to Bottom:
 3/4" - 5 1/2" - 5 1/2" - 5 1/2"

Model	Width	Height	Back Price
RP-1030-CL	18"	18"	\$121.84 ea.
RP-1093-CL	20"	18"	\$165.65 ea.
RP-1032-CL	22"	18"	\$170.85 ea.
RP-1088-CL	24"	19"	\$189.29 ea.



Seat, Wheelchair Upholstery

Fits **Stainless Steel** Wheelchair Sizes Below
 Attaching Hardware Included
 Hole Punch, On Sizes Listed Below
 From Front to Back for 18" and 20" Wide:
 2" - 4" - 4" - 4"
 From Front to Back for 22" and 24" Wide:
 3" - 4" - 4" - 4"

Model	Width	Depth	Seat Price
RP-1028-CL	18"	16"	\$92.59 ea.
RP-1094-CL	20"	16"	\$137.25 ea.
RP-1029-CL	22"	18"	\$136.48 ea.
RP-1089-CL	24"	18"	\$151.41 ea.



Back, HD Wheelchair Upholstery

Fits **Stainless Steel** Wheelchair Sizes Below
 Attaching Hardware Included
 Hole Punch, One on Top, Slides Over Wheelchair Canes

Model	Width	Height	Back Price
RP-1149-CL	24"	19"	\$189.29 ea.
RP-1052-CL	26"	19"	\$189.29 ea.



Solid Seat, HD Wheelchair Upholstery

Fits **Stainless Steel** Wheelchair Sizes Below
 Attaching Hardware Hooks Included

Model	Width	Depth	Seat Price
RP-1131-CL	22"	20"	\$351.00 ea.
RP-1051-CL	24"	20"	\$351.00 ea.

 All Upholstery is MR Conditional 

Specify Color



(10) Burgundy

(50) Green

(60) Dark Blue



Back, Wheelchair Upholstery

Fits **Aluminum** Wheelchair Sizes Below

Attaching Hardware Included

Hole Punch, One on Top, Slides Over Wheelchair Canes

Model	Width	Height	Back Price
RP-5017-CL	20"	18"	\$94.69 ea.
RP-5018-CL	22"	19"	\$109.41 ea.



Seat, Wheelchair Upholstery

Fits **Aluminum** Wheelchair Sizes Below

Attaching Hardware Included

Hole Punch, On Sizes Listed Below

From Front to Back for 20" Wide:

5/8" - 2" - 4 3/4" - 4 3/4" - 3 1/4"

From Front to Back for 22" Wide:

3/4" - 2 1/4" - 4 3/4" - 4 3/4" - 4 3/4"

Model	Width	Depth	Seat Price
RP-5014-CL	20"	16"	\$137.25 ea.
RP-5015-CL	22"	18"	\$143.06 ea.



Back, HD Wheelchair Upholstery

Fits **Aluminum** Wheelchair Size Below

Attaching Hardware Included

Hole Punch, One on Top, Slides Over Wheelchair Canes

Model	Width	Height	Back Price
RP-5019-CL	25"	19"	\$161.98 ea.



Solid Seat, HD Wheelchair Upholstery

Fits **Aluminum** Wheelchair Sizes Below

Attaching Aluminum Base Included

Model	Width	Height	Seat Price
RP-5016-CL	22"	20"	\$399.00 ea.

All Upholstery is MR Conditional

Specify Color





24" HD Aluminum Drop Hooks
 Fits 24" Wide **HD Stainless Steel** Wheelchair
 Fits 22" Wide Upholstery Seat

Model	Des.	Price
RP-1190		\$250.00 set.



26" HD Aluminum Drop Hooks
 Fits 26" Wide **HD Stainless Steel** Wheelchair
 Fits 24" Wide Upholstery Seat

Model	Des.	Price
RP-1191		\$250.00 set



24" and 26" HD Drop Hook Single Bolt
 Fits 24" and 26" Wide **HD Stainless Steel** Wheelchair
 Used to Mount Straps to Solid Seat

Model	Des.	Price
RP-1192		\$12.52 ea.



Seat, Attaching Hardware Set for Wheelchair Upholstery

Fits 18" Flip up Arm, 20", 22", and 24" **Stainless Steel** Wheelchairs

Set Includes:

8 Bolts, 8 Grommets, 8 Nuts

Model	Des.	Price
RP-1220		\$29.66 set



Seat, Attaching Hardware Set for Wheelchair Upholstery

Fits 18" Fixed Footrest **Stainless Steel** Wheelchairs

Set Includes:

8 Bolts, 8 Grommets, 6 Nuts

Model	Des.	Price
RP-1221		\$27.69 set



Back, Attaching Hardware Set for Wheelchair Upholstery

Fits 18", 20", 22" and 24" Standard **Stainless Steel** Wheelchairs

Set Includes:

8 Bolts, 8 Grommets

Model	Des.	Price
RP-1222		\$12.52 set



Back, Attaching Hardware Set for HD Wheelchair Upholstery

Fits 24" and 26" Wide **HD Stainless Steel** Wheelchairs

Set Includes:

2 Bolts, 2 Grommets

Model	Des.	Price
RP-1223		\$13.18 set



Back, Attaching Hardware Set for Wheelchair Upholstery

Fits 20" **Aluminum** Wheelchairs

Set Includes:

2 Aluminum Bolts, 2 Plastic Washers

Model	Des.	Price
RP-5079		\$13.84 set



Back, Attaching Hardware Set for Wheelchair Upholstery

Fits 22" and 24" **HD Aluminum** Wheelchairs

Set Includes:

2 Aluminum Bolts, 2 Aluminum Washer, 2 Plastic Washers

Model	Des.	Price
RP-5080		\$29.66 set



Seat, Attaching Hardware Set for Wheelchair Upholstery

Fits 20" and 22" **Aluminum** Wheelchairs

Set Includes:

10 Aluminum Bolts, 10 Plastic Grommets, 8 Aluminum Nuts

Model	Des.	Price
RP-5078		\$68.50 set



Aluminum Seat Frame

Fits 24" **HD Aluminum** Wheelchair

Fits 22" Wide Upholstery Seat

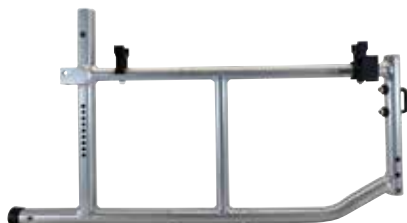
Model	Des.	Price
RP-1224		\$387.00 Set



Aluminum Seat Frame Bolts

Fits 24" **HD Aluminum** Wheelchair

Model	Des.	Price
RP-1225		\$39.55 Set



Lower Main Frame

Fits 20" Wide **Aluminum** Wheelchairs

Model	Des.	Side	Price
RP-5048-L		Left	\$443.00 ea.
RP-5048-R		Right	\$443.00 ea.

Lower Main Frame

Fits 22" Wide **Aluminum** Wheelchairs

Model	Des.	Side	Price
RP-5050-L		Left	\$510.00 ea.
RP-5050-R		Right	\$510.00 ea.

Lower Main Frame

Fits 24" Wide **HD Aluminum** Wheelchairs

Model	Des.	Side	Price
RP-5052-L		Left	\$478.00 ea.
RP-5052-R		Right	\$478.00 ea.

Determine Left or Right When Sitting In Chair



Wheelchair Back Cane

Fits 20" Wide **Aluminum** Wheelchairs

Model	Des.	Price
RP-5054		\$65.33 ea.



Wheelchair Back Cane

Fits 22" Wide **Aluminum** Wheelchairs

Model	Des.	Price
RP-5055		\$68.34 ea.



Wheelchair Back Cane

Fits 24" Wide **HD Aluminum** Wheelchairs

Model	Des.	Price
RP-5056		\$78.27 ea.



Upholstery Handle Set, Closing Straps

Fits all on **Stainless Steel** Wheelchairs

Set Includes: 4 Bolts, 4 Nuts, 2 Handles

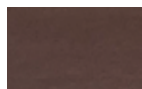
Model	Des.	Price
RP-1212-CL		\$45.62 set

Wheelchair Front Slide Post

Fits 18" Fixed Footrest **Stainless Steel** Wheelchairs

Model	Des.	Price
RP-1182		\$35.62 ea.

Specify Color



(10) Burgundy



(50) Green

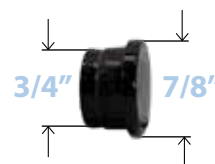


(60) Dark Blue

Crossbrace Plug

Fits 18" Fixed Footrest **Stainless Steel** Wheelchair

Model	Des.	Price
RP-1135		\$5.93 ea.



Wheelchair Frame Fitment Guide

Wheelchair Model	Slide Post
18" Wide Fixed Footrests, Stainless	RP-1182
18" Wide Flip-Up Arms, Stainless	N/A
20" Wide Transport Chair, Stainless	N/A
20" Wide Full Arms, Stainless	N/A
22" Wide Desk Arms, Stainless	N/A
24" Wide Desk Arms, Stainless	N/A

Wheelchair Model	Frame Left	Frame Right	Back Cane
24" Wide HD Desk Arms, Stainless	N/A	N/A	N/A
26" Wide HD Desk Arms, Stainless	N/A	N/A	N/A
20" Wide Desk Arms, Aluminum	RP-5048-L	RP-5048-R	RP-5054
22" Wide Desk Arms, Aluminum	RP-5050-L	RP-5050-R	RP-5055
24" Wide HD Desk Arms, Aluminum	RP-5052-L	RP-5052-R	RP-5056

Determine Left or Right When Sitting In Chair



MR SAFE



MR CONDITIONAL



MR UNSAFE

view www.MRlequip.com

Wheelchair Single Cross Brace Set, For Stainless Steel Wheelchairs

Fits 18" Wide Fixed Footrest **Stainless Steel** Wheelchairs

Model	Des.	Description	Price
RP-1183		18" Wide Fixed Footrest Cross Brace	\$343.00 set.

Wheelchair Double Cross Brace Set, for Stainless Steel Wheelchair

RP-1184 | Fits 18" Wide **Stainless Steel** Wheelchairs With Flip Up Arms

RP-1185 | Fits 20" Wide **Stainless Steel** Wheelchairs & Transport Chairs

RP-1186 | Fits 22" Wide **Stainless Steel** Wheelchairs

RP-1187 | Fits 24" Wide Standard **Stainless Steel** Wheelchairs

RP-1188 | Fits 24" Wide **HD Stainless Steel** Wheelchairs

RP-1189 | Fits 26" Wide **HD Stainless Steel** Wheelchairs

Model	Des.	Description	Price
RP-1184		18" Wide Standard Cross Brace	\$371.00 set.
RP-1185		20" Wide Standard Cross Brace	\$347.00 set.
RP-1186		22" Wide Standard Cross Brace	\$411.00 set.
RP-1187		24" Wide Standard Cross Brace	\$411.00 set.
RP-1188		24" Wide HD Cross Brace	\$499.00 set.
RP-1189		26" Wide HD Cross Brace	\$499.00 set.

Wheelchair Cross Brace Frame Bolts Set




Fits all **Stainless Steel** Wheelchairs

Model	Des.	Description	Price
RP-1196		Set of 4	\$14.79 set.

Wheelchair Double Cross Brace Set, for Aluminum Wheelchairs

RP-5070 | Fits 20" Wide **Aluminum** Wheelchairs

RP-5071 | Fits 22" Wide **Aluminum** Wheelchairs

Model	Des.	Description	Price
RP-5070		20" Aluminum Cross Brace	\$354.00 set.
RP-5071		22" Aluminum Cross Brace	\$387.00 set.
RP-5081		Cross Brace Hardware only 2 Sets, Bolt, Nut, Plastic Washer	\$70.14 set.

Wheelchair Cross Brace, for 24" **HD** Aluminum Wheelchairs

Sold as Each, Need 4 Per Chair, with Attaching Hardware

Fits 24" Wide **HD Aluminum** Wheelchairs

Model	Des.	Description	Price
RP-5045		24" HD Aluminum Cross Brace	\$82.46 ea.



Wheelchair Cross Brace Fitment Guide

Wheelchair Model	Crossbrace
18" Wide Fixed Footrests, Stainless	RP-1183
18" Wide Flip-Up Arms, Stainless	RP-1184
20" Wide Transport Chair, Stainless	RP-1185
20" Wide Full Arms, Stainless	RP-1185
22" Wide Desk Arms, Stainless	RP-1186
24" Wide Desk Arms, Stainless	RP-1187

Wheelchair Model	Crossbrace
24" Wide HD Desk Arms, Stainless	RP-1188
26" Wide HD Desk Arms, Stainless	RP-1189
20" Wide Desk Arms, Aluminum	RP-5070
22" Wide Desk Arms, Aluminum	RP-5071
24" Wide HD Desk Arms, Aluminum	RP-5045

Pivot Link

Fits 18" Wide **Stainless Steel** Wheelchairs

Model	Des.	Price
RP-1157		\$36.92 ea.



Pivot Link

Fits 20" Wide, **Stainless Steel** Wheelchairs & Transport Chairs

Model	Des.	Price
RP-1158		\$36.92 ea.



Pivot Link

Fits 22" Wide, **Stainless Steel** Wheelchairs

Model	Des.	Price
RP-1159		\$36.92 ea.



Pivot Link

Fits 24" Wide, **Stainless Steel** Wheelchairs

Model	Des.	Price
RP-1160		\$48.78 ea.



Pivot Link

Fits 24" Wide, **HD Stainless Steel** Wheelchairs

Model	Des.	Price
RP-1162		\$48.78 ea.



Pivot Link

Fits 26" Wide, **HD Stainless Steel** Wheelchairs

Model	Des.	Price
RP-1161		\$48.78 ea.



Pivot Link

Fits 20" Wide, **Aluminum** Wheelchairs

Model	Des.	Price
RP-5073		\$27.69 ea.



Pivot Link

Fits 22" Wide, **Aluminum** Wheelchairs

Model	Des.	Price
RP-5074		\$27.69 ea.



Wheelchair Pivot Link Fitment Guide

Wheelchair Model	Pivot Link
18" Wide Fixed Footrests, Stainless	N/A
18" Wide Flip-Up Arms, Stainless	RP-1157
20" Wide Transport Chair, Stainless	RP-1158
20" Wide Full Arms, Stainless	RP-1158
22" Wide Desk Arms, Stainless	RP-1159
24" Wide Desk Arms, Stainless	RP-1160

Wheelchair Model	Wheel
24" Wide HD Desk Arms, Stainless	RP-1162
26" Wide HD Desk Arms, Stainless	RP-1161
20" Wide Desk Arms, Aluminum	RP-5073
22" Wide Desk Arms, Aluminum	RP-5074
24" Wide HD Desk Arms, Aluminum	N/A



Heel Loop and Stainless Steel Hardware

Fits 18", 20", 22" and 24" Wide **Stainless Steel**

Wheelchairs

Model	Des.	Side	Price
RP-1007		Left\Right	\$39.55 ea.



Heel Loop and Stainless Steel Hardware

Fits 24" & 26" Wide **HD Stainless Steel** Wheelchairs

Model	Des.	Side	Price
RP-1166-L		Left	\$39.55 ea.
RP-1166-R		Right	\$39.55 ea.



Heel Loop & Aluminum Hardware

Fits 20" and 22" Wide **Aluminum** Wheelchairs

Model	Des.	Side	Price
RP-5007-L		Left	\$39.55 ea.
RP-5007-R		Right	\$39.55 ea.



Heel Loop & Aluminum Hardware

Fits 24" Wide **Aluminum** Wheelchairs

Model	Des.	Side	Price
RP-5009-L		Left	\$39.55 ea.
RP-5009-R		Right	\$39.55 ea.



Replacement Safety Belt

Fits 18", 20", 22", 24", and 26" Wide **Stainless Steel** Wheelchairs

Model	Des.	Fits	Price
RP-1090-18		18" Wheelchairs	\$52.22 ea.
RP-1090-20		20" Wheelchairs	\$52.22 ea.
RP-1090-22		22" Wheelchairs	\$52.22 ea.
RP-1090-24		24" Wheelchairs 26" Wheelchairs	\$52.22 ea.

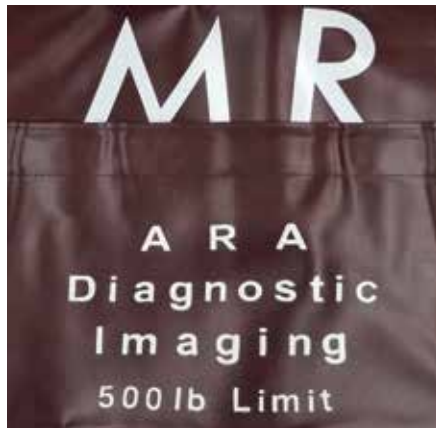
Wheelchair Heel Loop Fitment Guide

Wheelchair Model	Heel Loop Left	Heel Loop Right
18" Wide Fixed Footrests, Stainless	RP-1007-L	RP-1007-R
18" Wide Flip-Up Arms, Stainless	RP-1007-L	RP-1007-R
20" Wide Transport Chair, Stainless	RP-1007-L	RP-1007-R
20" Wide Full Arms, Stainless	RP-1007-L	RP-1007-R
22" Wide Desk Arms, Stainless	RP-1007-L	RP-1007-R
24" Wide Desk Arms, Stainless	RP-1007-L	RP-1007-R

Wheelchair Model	Heel Loop Left	Heel Loop Right
24" Wide HD Desk Arms, Stainless	RP-1166-L	RP-1166-R
26" Wide HD Desk Arms, Stainless	RP-1166-L	RP-1166-R
20" Wide Desk Arms, Aluminum	RP-5007-L	RP-5007-R
22" Wide Desk Arms, Aluminum	RP-5007-L	RP-5007-R
24" Wide HD Desk Arms, Aluminum	RP-5009-L	RP-5009-R



A Anti-Tippers



B Custom Stenciling

Custom Stenciling, add your company name and/or other info on back of wheelchair



C Anti-Theft Bars

Product may differ from picture shown



D Padlock & Chain

E



F



G Anti-Theft Clamp

Fig	Model	Designation	Description	Price
A	RP-1053		Anti-Tippers, For Stainless Steel Wheelchairs	\$62.97 pr.
B	WC-1110		Custom Stenciling (Company Name, etc.)	\$212.00 ea.
C	RP-1061-20 RP-1061-22 RP-1061-24		Anti-Theft Bar for 20" Wheelchairs Anti-Theft Bar for 22" Wheelchairs Anti-Theft Bar for 24" Wheelchairs	\$297.00 ea. \$297.00 ea. \$297.00 ea.
D	PL-1005		MRI Non-Magnetic 15ft Yellow Plastic Chain with Green Padlock	\$42.62 ea.
E	PL-1006		MRI Non-Magnetic 15ft Yellow Plastic Chain with Red Padlock	\$42.62 ea.
F	RP-1115		MRI Non-Magnetic Locking Kit for Foot/Legrest	\$18.50 ea.
G	RP-1114		Anti-Theft Clamp for 24" and 26" Wide Heavy Duty Wheelchairs, Set of 2	\$35.24 set.

I.V. Poles & Oxygen Holders



MRI Stainless Steel I.V. Poles & Oxygen Holders

Fits all **Stainless Steel** Wheelchairs

Model	Des.	Description	Price
WC-1100		Stainless I.V. Pole	\$189.71 ea.
WC-1101		Stainless I.V. Pole & O2 Holder	\$256.00 ea.
WC-1102		Stainless O2 Tank Holder	\$157.46 ea.



MRI Aluminum I.V. Poles & Oxygen Holders

Fits all **Aluminum** Wheelchairs

Model	Des.	Description	Price
WC-2100		Aluminum I.V. Pole	\$322.00 ea.
WC-2101		Alum. I.V. and O2 Holder	\$381.00 ea.
WC-2102		Alum. O2 Tank Holder	\$221.00 ea.

Specialized MRI Catalogs!

Call to request your copy today or e-mail your request to cs@MRlequip.com



Non-Ferromagnetic Products



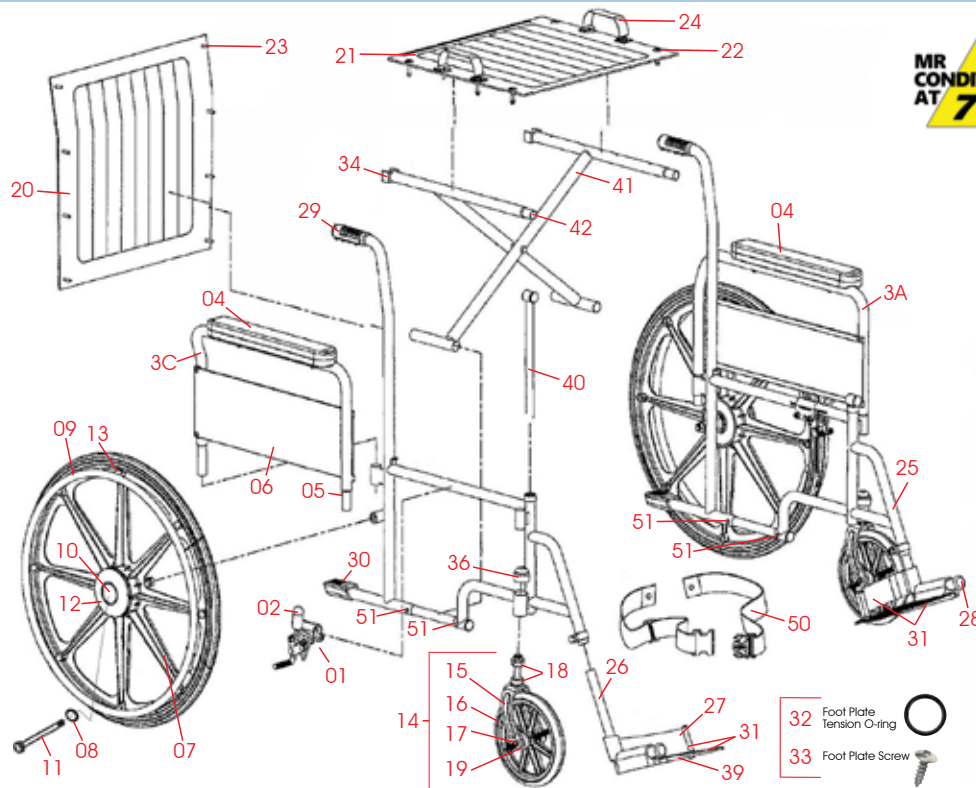
Pediatric Products



Disposable Products



MRI Main Catalog



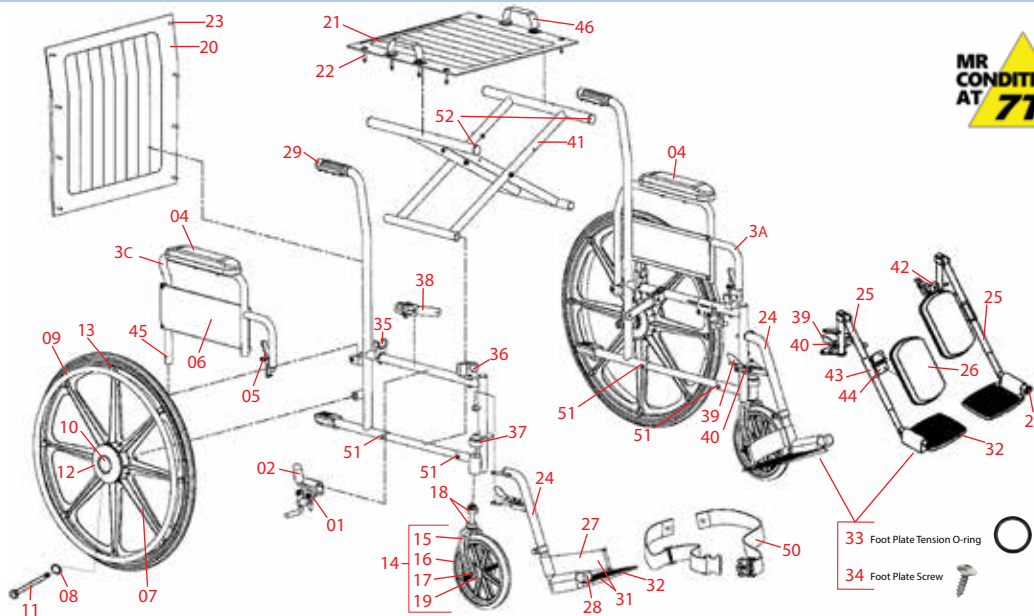
Stainless Steel
WC-1000
WC-5000

Fig	Model	Description	Page	Price
01	RP-1025-L RP-1025-R	Brake Complete, Left * Brake Complete, Right *	8 8	\$43.51 ea.
02	RP-1081	Rubber Tip for Brake	11	\$5.93 ea.
3C	RP-1100-L-CL	Detachable Left Side Full Length Arm, Complete with skirtguard, armrest & button lock, Color * **	11	\$132.57 ea.
3B	RP-1100-R-CL	Detachable Right Side Full Length Arm, Complete with skirtguard, armrest & button lock, Color * **	12	\$132.57 ea.
04	RP-1035-CL	Full Length Armrest, Color **	12	\$21.09 ea.
05	RP-1046	Button Lock	12	\$18.46 ea.
06	RP-1058	Skirtguard 19 3/8" x 6"	12	\$27.69 ea.
07	RP-1016	24" Wheel Complete with 7/16" Bearings, Handrim & Hub Cap	5	\$248.00ea.
08	RP-1180	Washer, for Rear Axle	7	\$6.59 ea.
09	RP-1024	Stainless Steel Handrim	7	\$84.88 ea.
10	RP-1018	7/16" Bearing for Rear Wheel	3	\$10.55 ea.
11	RP-1021	Axle and Nut for Rear Wheel	8	\$33.62 ea.
12	RP-1020	Hub Cap	9	\$10.55 ea.
13	RP-1023	Handrim Screws & Spacers (set of 8)	7	\$27.69 set
14	RP-1009	8" Fork Assembly (fork, 8" wheel, bearings & axle)	6	\$107.23 ea.
15	RP-1012	Fork with Nut	6	\$65.03 ea.
16	RP-1010	8" Wheel with Bearings	5	\$31.64 ea.
17	RP-1014	Axle and Nut for Front Wheel	8	\$15.16 ea.
18	RP-1013	Bearing for Fork Stem	4	\$10.55 ea.
19	RP-1011	Bearing for Front Wheel	4	\$10.55 ea.

Fig	Model	Description	Page	Price
20	RP-1030-CL	Back Upholstery w/Hardware **	17	\$121.84 ea.
21	RP-1028-CL	Seat Upholstery w/Hardware **	17	\$92.59 ea.
22	RP-1221	Seat Attaching Hardware Set	19	\$27.69 set
23	RP-1222	Back Attaching Hardware Set	19	\$12.52 set
24	RP-1212-CL	Handle Closing Straps **	20	\$45.62 set
25	RP-1004-L	Foot Plate & Extension Tube, Clamping, Left, with Heel Loop *	16	\$71.69 ea.
26	RP-1004-R	Foot Plate & Extension Tube, Clamping, Right, with Heel Loop *	16	\$71.69 ea.
27	RP-1007	Heel Loop with Hardware	23	\$39.55 ea.
28	RP-1154	Bumper	16	\$10.55 ea.
29	RP-1082	Handle Grip	9	\$11.21 ea.
30	RP-1083	Kick Tube Cap	9	\$10.60 ea.
31	RP-1121-L	Foot Plate w/Heel Loop, Left *	16	\$54.59 ea.
31	RP-1121-R	Foot Plate w/Heel Loop, Right *	16	\$54.59 ea.
32	RP-7016	Tension "O" Ring for Foot Plate	16	\$5.93 ea.
33	RP-7017	Screw for Foot Plate	16	\$0.22 ea.
34	RP-1169	Rail Guide (white nylon)	10	\$6.59 ea.
36	RP-1126	Journal Cap for Fork Stem	9	\$7.95 ea.
39	RP-1122	Foot Plate Only	16	\$26.36 ea.
40	RP-1182	Front Slide Tube	20	\$35.62 ea.
41	RP-1183	Cross Brace Set	21	\$343.00 set
42	RP-1135	Black Plastic Plug	9,20	\$5.93 ea.
50	RP-1090-18	Safety Belt, for 18" Wide Chairs	23	\$52.22 ea.
51	RP-1196	Cross Brace Frame Bolt, Set of 4	21	\$14.79 set.

* Determine Left or Right when sitting in the wheelchair
 ** Upholstery Colors: 10-Burgundy, 50-Green, 60-Dk. Blue

MRI Parts List | 18" Wide MRI Wheelchair Flip-Up-Arms



Stainless Steel

- WC-1001
- WC-1021
- WC-5001
- WC-5021

Fig	Model	Description	Page	Price
01	RP-1025-L RP-1025-R	Brake Complete, Left * Brake Complete, Right *	8 8	\$43.51 ea.
02	RP-1081	Rubber Tip for Brake	9	\$5.93 ea.
3A	RP-1044-L-CL	Flip Back Left Side Desk Length Arm, Complete with skirtguard, armrest & button lock, Color * **	11	\$136.08 ea.
3C	RP-1044-R-CL	Flip Back Right Side Desk Length Arm, Complete with skirtguard, armrest & button lock, Color * **	11	\$136.08 ea.
04	RP-1038-CL	Desk Length Armrest, Color **	12	\$21.09 ea.
05	RP-1099	Release Lever	12	\$18.46 ea.
06	RP-1087	Skirtguard 13 1/4" x 4 3/4"	12	\$33.62 ea.
07	RP-1016	24" Wheel Complete with 7/16" Bearings, Handrim & Hub Cap	5	\$248.00 ea.
08	RP-1180	Washer, for Rear Axle	7	\$6.59 ea.
09	RP-1024	Stainless Steel Handrim	7	\$84.88 ea.
10	RP-1018	7/16" Bearing for Rear Wheel	3	\$10.55 ea.
11	RP-1021	Axle and Nut for Rear Wheel	8	\$33.62 ea.
12	RP-1020	Hub Cap	9	\$10.55 ea.
13	RP-1023	Handrim Screws & Spacers (set of 8)	7	\$27.69 set
14	RP-1009	8" Fork Assembly (fork, 8" wheel, bearings & axle)	6	\$107.23 ea.
15	RP-1012	Fork with Nut	6	\$65.03 ea.
16	RP-1010	8" Wheel with Bearings	5	\$31.64 ea.
17	RP-1014	Axle and Nut for Front Wheel	8	\$15.16 ea.
18	RP-1013	Bearing for Fork Stem	4	\$10.55 ea.
19	RP-1011	Bearing for Front Wheel	4	\$10.55 ea.
20	RP-1030-CL	Back Upholstery w/Hardware **	17	\$121.84 ea.
21	RP-1028-CL	Seat Upholstery w/Hardware **	17	\$92.59 ea.
22	RP-1220	Seat Attaching Hardware Set	19	\$29.66 set
23	RP-1222	Back Attaching Hardware Set	19	\$12.52 set

* Determine Left or Right when sitting in the wheelchair

** Upholstery Colors: 10-Burgundy, 50-Green, 60-Dk. Blue

Fig	Model	Description	Page	Price
24	RP-1000-L RP-1000-R	Footrest Complete Left Side * Footrest Complete Right Side *	13 13	\$118.37 ea.
25	RP-1110-L-CL RP-1110-R-CL	Legrest Complete Left, Color * ** Legrest Complete Right, Color * **	14 14	\$252.00 ea.
26	RP-1084-CL	Calf Pad, Color **	14	\$29.66 ea.
27	RP-1007	Heel Loop with Hardware	23	\$39.55 ea.
28	RP-1154	Bumper	9,16	\$10.55 ea.
29	RP-1082	Handle Grip	9	\$11.21 ea.
30	RP-1083	Kick Tube Cap	9	\$10.60 ea.
31	RP-1121-L RP-1121-R	Foot Plate w/Heel Loop, Left * Foot Plate w/Heel Loop, Right *	16 16	\$54.59 ea.
32	RP-1122	Footplate Only for Footrest & Legrest Universal Left or Right	16	\$26.36 ea.
33	RP-7016	Tension "O" Ring for Foot Plate	16	\$5.93 ea.
34	RP-7017	Screw for Foot Plate	16	\$0.22 ea.
35	RP-1167	Seat Guide Rear (black nylon)	10	\$11.21 ea.
36	RP-1168-L RP-1168-R	Left Seat Guide & Arm Socket * Right Seat Guide & Arm Socket *	10 10	\$13.84 ea.
37	RP-1126	Journal Cap for Fork Stem	9	\$7.95 ea.
38	RP-1157	Pivot Link with Bracket and Hardware	22	\$36.92 ea.
39	RP-7000-L RP-7000-R	Lock Lever Complete, Left * Lock Lever Complete, Right *	15 15	\$31.64 ea.
40	RP-7002-L RP-7002-R	Spring Only for Lock Lever, Left * Spring Only for Lock Lever, Right *	15 15	\$13.84 ea.
41	RP-1184	Cross Brace Set	21	\$371.00 set
42	RP-7020-L RP-7020-R	Adjustment Rod Complete, Left * Adjustment Rod Complete, Right *	15 15	\$72.54 ea.
43	RP-7005	Calf Pad Bracket	15	\$33.62 ea.
44	RP-7004	Calf Pad Hinge Plate	15	\$27.69 ea.
45	RP-1098	Arm Hinge Repair Kit Nut, Bolt, Bushings, & Spacers	12	\$14.03 ea.
46	RP-1212-CL	Handle Closing Straps **	20	\$45.62 set
50	RP-1090-18	Safety Belt, for 18" Wide Chairs	23	\$52.22 ea.
51	RP-1196	Cross Brace Frame Bolt, Set of 4	21	\$14.79 set.
52	RP-3001	Cross Brace Plug, Set of 4	9	\$8.38 set.

Stainless Steel

WC-1027
WC-1028
WC-5027
WC-5028

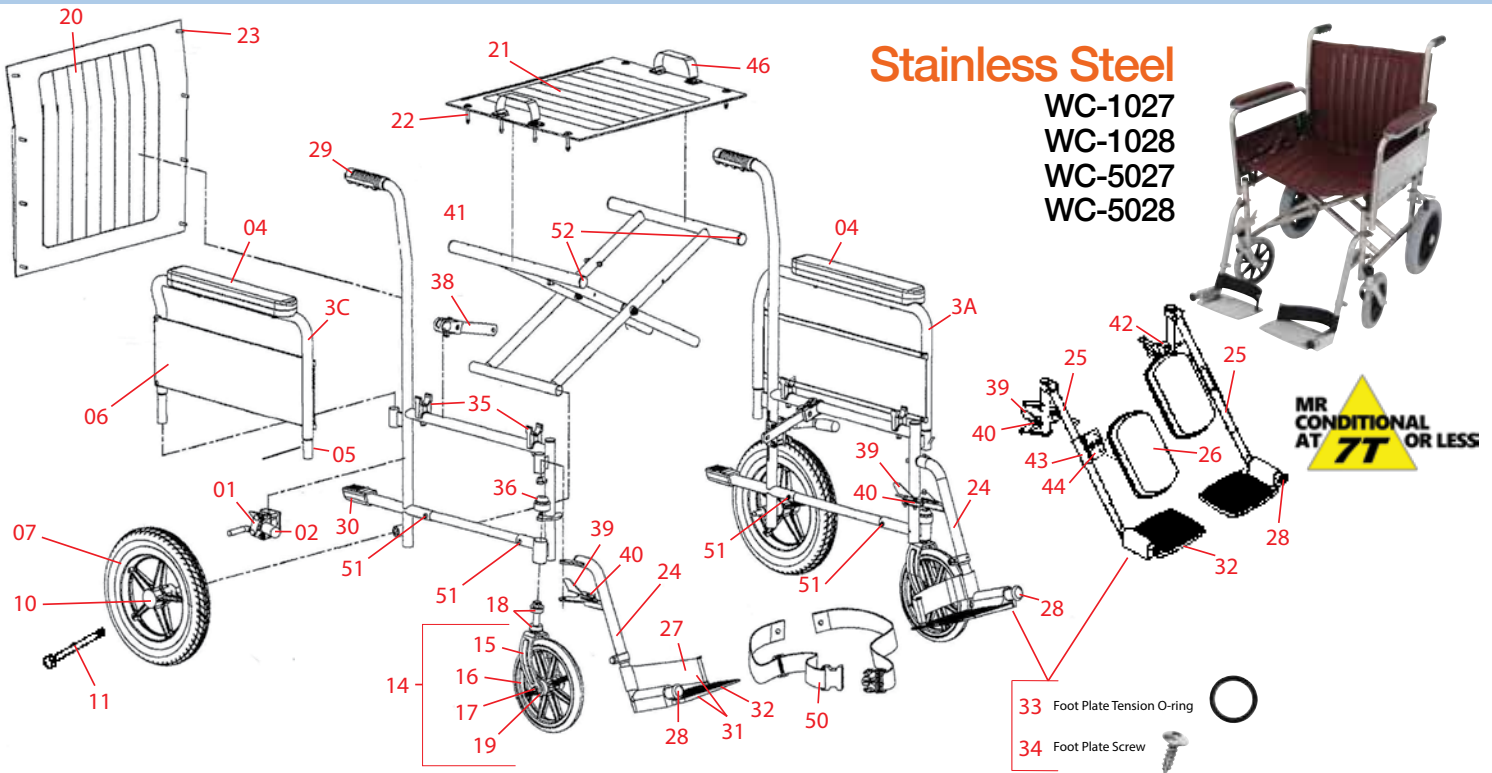


Fig	Model	Description	Page	Price
01	RP-1025-L RP-1025-R	Brake Complete, Left * Brake Complete, Right *	8 8	\$43.51 ea.
02	RP-1081	Rubber Tip for Brake	9	\$5.93 ea.
3C	RP-1100-L-CL	Detachable Left Side Full Length Arm, Complete with skirtguard, armrest & button lock, Color * **	11	\$132.57 ea.
3C	RP-1100-R-CL	Detachable Right Side Full Length Arm, Complete with skirtguard, armrest & button lock, Color * **	11	\$132.57 ea.
04	RP-1035-CL	Full Length Armrest, Color **	12	\$21.09 ea.
05	RP-1046	Button Lock	12	\$18.46 ea.
06	RP-1058	Skirtguard 19 3/8" x 6"	12	\$27.69 ea.
07	RP-1064	12 1/2" Wheel & 7/16" Bearings	5	\$139.05 ea.
10	RP-1178	7/16" Bearing for Rear Wheel	3	\$12.52 ea.
11	RP-1065	Axle and Nut for Rear Wheel	8	\$31.64 ea.
14	RP-1009	8" Fork Assembly (fork, 8" wheel, bearings & axle)	6	\$107.23 ea.
15	RP-1012	Fork with Nut	6	\$65.03 ea.
16	RP-1010	8" Wheel with Bearings	5	\$31.64 ea.
17	RP-1014	Axle and Nut for Front Wheel	8	\$15.16 ea.
18	RP-1013	Bearing for Fork Stem	4	\$10.55 ea.
19	RP-1011	Bearing for Front Wheel	4	\$10.55 ea.
20	RP-1093-CL	Back Upholstery w/Hardware **	17	\$165.65 ea.
21	RP-1094-CL	Seat Upholstery w/Hardware **	17	\$137.25 ea.
22	RP-1220	Seat Attaching Hardware Set	19	\$29.66 set
23	RP-1222	Back Attaching Hardware Set	19	\$12.52 set

Fig	Model	Description	Page	Price
24	RP-1000-L RP-1000-R	Footrest Complete, Left Side * Footrest Complete, Right Side *	13 13	\$118.37 ea.
25	RP-1110-L-CL RP-1110-R-CL	Legrest Complete Left, Color * ** Legrest Complete Right, Color * **	14 14	\$252.00 ea.
26	RP-1084-CL	Calf Pad, Color **	14	\$29.66 ea.
27	RP-1007	Heel Loop with Hardware	23	\$39.55 ea.
28	RP-1154	Bumper	9,16	\$10.55 ea.
29	RP-1082	Handle Grip	9	\$11.21 ea.
30	RP-1083	Kick Tube Cap	9	\$10.60 ea.
31	RP-1121-L RP-1121-R	Foot Plate w/Heel Loop, Left * Foot Plate w/Heel Loop, Right *	16 16	\$54.59 ea.
32	RP-1122	Foot Plate Only	16	\$26.36 ea.
33	RP-7016	Tension "O" Ring for Foot Plate	16	\$5.93 ea.
34	RP-7017	Screw for Foot Plate	16	\$0.22 ea.
35	RP-1167	Seat Guide	10	\$11.21 ea.
36	RP-1126	Journal Cap for Fork Stem	9	\$7.95 ea.
38	RP-1158	Pivot Link and Bracket & Hdw	22	\$36.92 ea.
39	RP-7000-L RP-7000-R	Lock Lever Release Kit, Left * Lock Lever Release Kit, Right *	15 15	\$31.64 ea.
40	RP-7002-L RP-7002-R	Spring Only for Lock Lever, Left * Spring Only for Lock Lever, Right *	15 15	\$13.84 ea.
41	RP-1185	Cross Brace Set	21	\$347.00 set
42	RP-7020-L RP-7020-R	Adjustment Rod Complete, Left* Adjustment Rod Complete, Right*	15 15	\$72.54 ea.
43	RP-7005	Calf Pad Bracket	15	\$33.62 ea.
44	RP-7004	Calf Pad Hinge Plate	15	\$27.69 ea.
46	RP-1212-CL	Handle Closing Straps**	20	\$45.62 set
50	RP-1090-20	Safety Belt, for 20" Wide Chairs	23	\$52.22 ea.
51	RP-1196	Cross Brace Frame Bolt, Set of 4	21	\$14.79 set.
52	RP-3001	Cross Brace Plug, Set of 4	9	\$8.38 set.

* Determine Left or Right when sitting in the wheelchair
** Upholstery Colors: 10-Burgundy, 50-Green, 60-Dk. Blue

MRI Parts List | 20" Wide MRI Wheelchair Full Length Arms

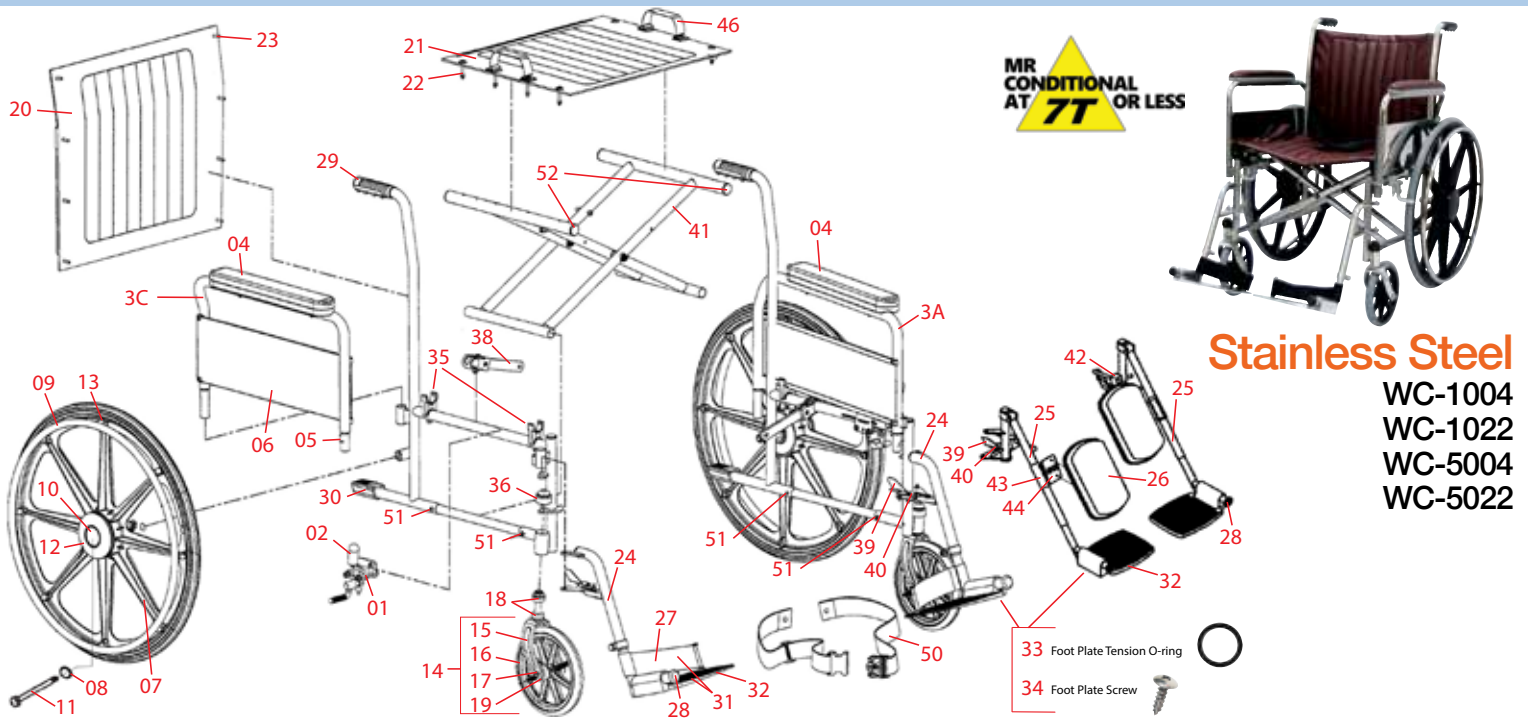
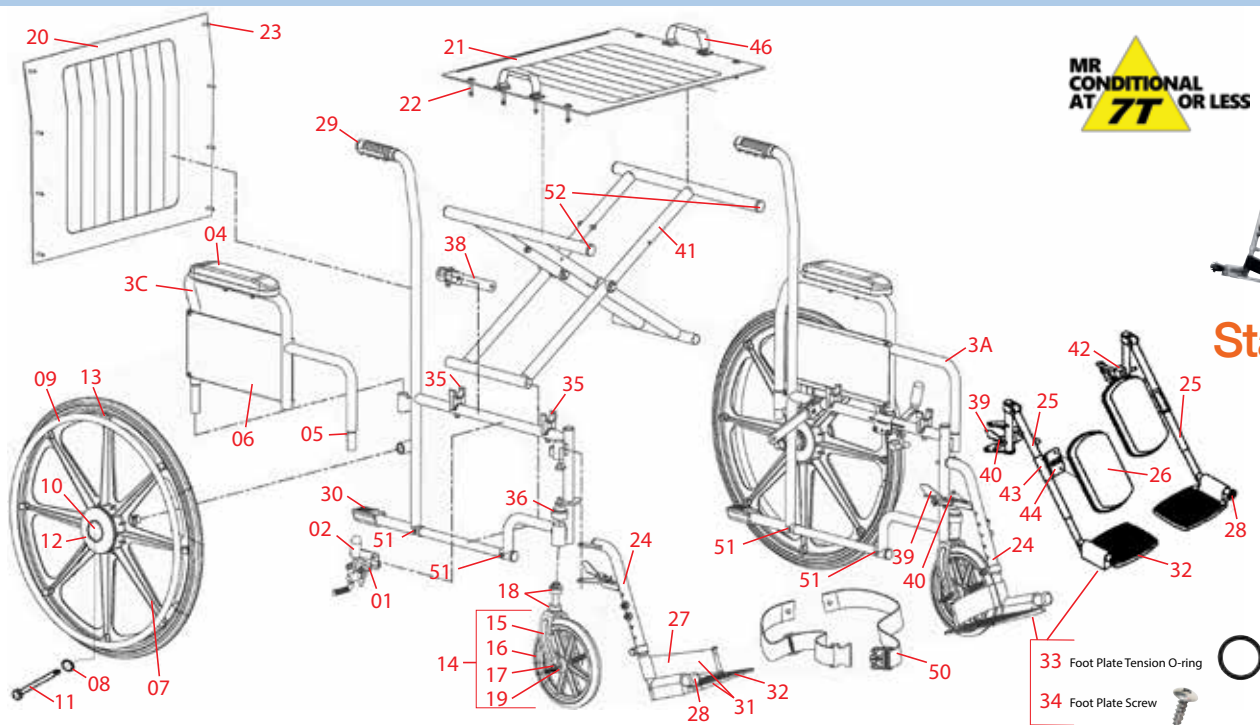


Fig	Model	Description	Page	Price
01	RP-1025-L RP-1025-R	Brake Complete, Left * Brake Complete, Right *	8	\$43.51 ea.
02	RP-1081	Rubber Tip for Brake	2	\$5.93 ea.
3A	RP-1100-L-CL	Detach Left Side Full Length Arm, Complete with skirtguard, armrest & button lock, Color ** **	11	\$132.57 ea.
3C	RP-1100-R-CL	Detach Right Side Full Length Arm, Complete with skirtguard, armrest & button lock, Color ** **	11	\$132.57 ea.
04	RP-1035-CL	Full Length Armrest, Color **	12	\$21.09 ea.
05	RP-1046	Button Lock	12	\$18.46 ea.
06	RP-1058	Skirtguard 19 3/8" x 6"	12	\$27.69 ea.
07	RP-1016	24" Wheel Complete with 7/16" Bearings, Handrim & Hub Cap	5	\$248.00 ea.
08	RP-1180	Washer, for Rear Axle	7	\$6.59 ea.
09	RP-1024	Stainless Steel Handrim	7	\$84.88 ea.
10	RP-1018	7/16" Bearing for Rear Wheel	3	\$10.55 ea.
11	RP-1021	Axle and Nut for Rear Wheel	8	\$33.62 ea.
12	RP-1020	Hub Cap	7	\$10.55 ea.
13	RP-1023	Handrim Screws & Spacers (set of 8)	7	\$27.69 set
14	RP-1009	8" Fork Assembly (fork, 8" wheel, bearings & axle)	6	\$107.23 ea.
15	RP-1012	Fork with Nut	6	\$65.03 ea.
16	RP-1010	8" Wheel with Bearings	5	\$31.64 ea.
17	RP-1014	Axle and Nut for Front Wheel	8	\$15.16 ea.
18	RP-1013	Bearing for Fork Stem	4	\$10.55 ea.
19	RP-1011	Bearing for Front Wheel	4	\$10.55 ea.
20	RP-1093-CL	Back Upholstery w/Hardware **	17	\$165.65 ea.
21	RP-1094-CL	Seat Upholstery w/Hardware **	17	\$137.25 ea.

Fig	Model	Description	Page	Price
22	RP-1220	Seat Attaching Hardware Set	19	\$29.66 set
23	RP-1222	Back Attaching Hardware Set	19	\$12.52 set
24	RP-1000-L RP-1000-R	Footrest Complete Left Side * Footrest Complete Right Side *	13	\$118.37 ea.
25	RP-1110-L-CL RP-1110-R-CL	Legrest Complete Left, Color * ** Legrest Complete Right, Color * **	14	\$252.00 ea.
26	RP-1084-CL	Calf Pad, Color **	14	\$29.66 ea.
27	RP-1007	Heel Loop with Hardware	23	\$39.55 ea.
28	RP-1154	Bumper	9,16	\$10.55 ea.
29	RP-1082	Handle Grip	9	\$11.21 ea.
30	RP-1083	Kick Tube Cap	9	\$10.60 ea.
31	RP-1121-L RP-1121-R	Foot Plate w/Heel Loop, Left * Foot Plate w/Heel Loop, Right *	16	\$54.59 ea.
32	RP-1122	Footplate Only for Footrest & Legrest Universal Left or Right	16	\$26.36 ea.
33	RP-7016	Tension "O" Ring for Foot Plate	16	\$5.93 ea.
34	RP-7017	Screw for Foot Plate	16	\$0.22 ea.
35	RP-1167	Seat Guide (black nylon)	10	\$11.21 ea.
36	RP-1126	Journal Cap for Fork Stem	9	\$7.95 ea.
38	RP-1158	Pivot Link with Bracket & Hdw	22	\$36.92 ea.
39	RP-7000-L RP-7000-R	Lock Lever Complete, Left * Lock Lever Complete, Right *	15	\$31.64 ea.
40	RP-7002-L RP-7002-R	Spring Only for Lock Lever, Left * Spring Only for Lock Lever, Right *	15	\$13.84 ea.
41	RP-1185	Cross Brace Set	21	\$347.00 set
42	RP-7020-L RP-7020-R	Adjustment Rod Complete, Left * Adjustment Rod Complete, Right *	15	\$72.54 ea.
43	RP-7005	Calf Pad Bracket	15	\$33.62 ea.
44	RP-7004	Calf Pad Hinge Plate	15	\$27.69 ea.
46	RP-1212-CL	Handle Closing Straps **	20	\$45.62 set
50	RP-1090-20	Safety Belt, for 20" Wide Chairs	23	\$52.22 ea.
51	RP-1196	Cross Brace Frame Bolt, Set of 4	21	\$14.79 set.
52	RP-3001	Cross Brace Plug, Set of 4	9	\$8.38 set.

* Determine Left or Right when sitting in the wheelchair
 ** Upholstery Colors: 10-Burgundy, 50-Green, 60-Dk. Blue



Stainless Steel

- WC-1002
- WC-1023
- WC-5002
- WC-5023

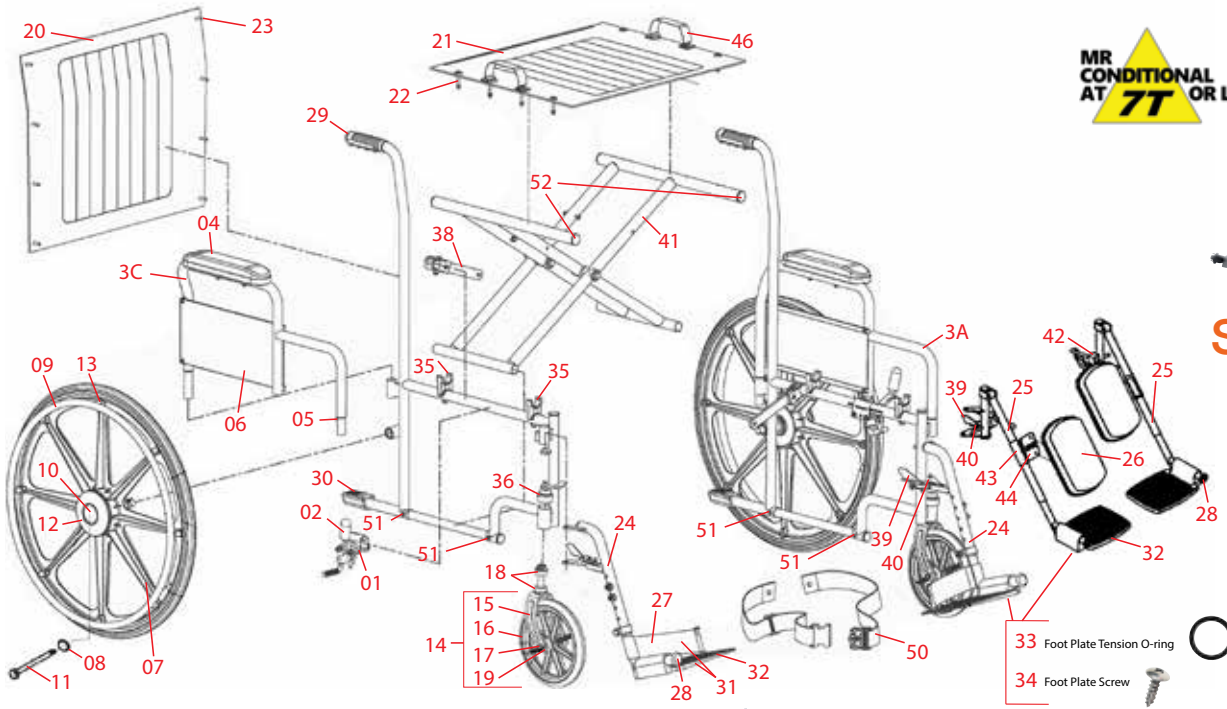
Fig	Model	Description	Page	Price
01	RP-1025-L RP-1025-R	Brake Complete, Left * Brake Complete, Right *	8	\$43.51 ea.
02	RP-1081	Rubber Tip for Brake	2	\$5.93 ea.
3A	RP-1063-L-CL	Detach Left Side Desk Length Arm, Complete with skirtguard, armrest & button lock, Color * **	11	\$164.48 ea.
3C	RP-1063-R-CL	Detach Right Side Desk Length Arm, Complete with skirtguard, armrest & button lock, Color * **	11	\$164.48 ea.
04	RP-1038-CL	Desk Length Armrest, Color **	12	\$21.09 ea.
05	RP-1046	Button Lock	12	\$18.46 ea.
06	RP-1043	Skirtguard 13 1/4" x 6"	12	\$27.69 ea.
07	RP-1017	24" Wheel Complete with 5/8" Bearings, Handrim & Hub Cap	5	\$248.00 ea.
08	RP-1181	Washer, for Rear Axle	7	\$6.59 ea.
09	RP-1024	Stainless Steel Handrim	7	\$84.88 ea.
10	RP-1019	5/8" Bearing for Rear Wheel	3	\$12.24 ea.
11	RP-1022	Axle and Nut for Rear Wheel	8	\$87.71 ea.
12	RP-1020	Hub Cap	7	\$10.55 ea.
13	RP-1023	Handrim Screws & Spacers (set of 8)	7	\$27.69 set
14	RP-1009	8" Fork Assembly (fork, 8" wheel, bearings & axle)	6	\$107.23 ea.
15	RP-1012	Fork with Nut	6	\$65.03 ea.
16	RP-1010	8" Wheel with Bearings	5	\$31.64 ea.
17	RP-1014	Axle and Nut for Front Wheel	4	\$15.16 ea.
18	RP-1013	Bearing for Fork Stem	4	\$10.55 ea.
19	RP-1011	Bearing for Front Wheel	4	\$10.55 ea.
20	RP-1032-CL	Back Upholstery w/Hardware **	17	\$170.85 ea.
21	RP-1029-CL	Seat Upholstery w/Hardware **	17	\$136.48 ea.

Fig	Model	Description	Page	Price
22	RP-1220	Seat Attaching Hardware Set	19	\$29.66 set
23	RP-1222	Back Attaching Hardware Set	19	\$12.52 set
24	RP-1002-L RP-1002-R	Footrest Complete Left Side * Footrest Complete Right Side *	13	\$189.41 ea.
25	RP-1110-L-CL RP-1110-R-CL	Legrest Complete Left, Color * ** Legrest Complete Right, Color * **	14	\$252.00 ea.
26	RP-1084-CL	Calf Pad, Color **	14	\$29.66 ea.
27	RP-1007	Heel Loop with Hardware	23	\$39.55 ea.
28	RP-1154	Bumper	9,16	\$10.55 ea.
29	RP-1082	Handle Grip	9	\$11.21 ea.
30	RP-1083	Kick Tube Cap	9	\$10.60 ea.
31	RP-1121-L RP-1121-R	Foot Plate w/Heel Loop, Left * Foot Plate w/Heel Loop, Right *	16	\$54.59 ea.
32	RP-1122	Footplate Only for Footrest & Legrest Universal Left or Right	16	\$26.36 ea.
33	RP-7016	Tension "O" Ring for Foot Plate	16	\$5.93 ea.
34	RP-7017	Screw for Foot Plate	16	\$0.22 ea.
35	RP-1167	Seat Guide (black nylon)	10	\$11.21 ea.
36	RP-1126	Journal Cap for Fork Stem	9	\$7.95 ea.
38	RP-1159	Pivot Link with Bracket & Hdw	22	\$36.92 ea.
39	RP-7000-L RP-7000-R	Lock Lever Complete, Left * Lock Lever Complete, Right *	15	\$31.64 ea.
40	RP-7002-L RP-7002-R	Spring Only for Lock Lever, Left * Spring Only for Lock Lever, Right *	15	\$13.84 ea.
41	RP-1186	Cross Brace Set	21	\$411.00 set
42	RP-7020-L RP-7020-R	Adjustment Rod Complete, Left * Adjustment Rod Complete, Right *	15	\$72.54 ea.
43	RP-7005	Calf Pad Bracket	15	\$33.62 ea.
44	RP-7004	Calf Pad Hinge Plate	15	\$27.69 ea.
46	RP-1212-CL	Handle Closing Straps **	20	\$45.62 set
50	RP-1090-22	Safety Belt, for 22" Wide Chairs	23	\$52.22 ea.
51	RP-1196	Cross Brace Frame Bolt, Set of 4	21	\$14.79 set.
52	RP-3001	Cross Brace Plug, Set of 4	9	\$8.38 set.

* Determine Left or Right when sitting in the wheelchair

** Upholstery Colors: 10-Burgundy, 50-Green, 60-Dk. Blue

MRI Parts List | 24" Wide MRI Wheelchair Desk Length Arms



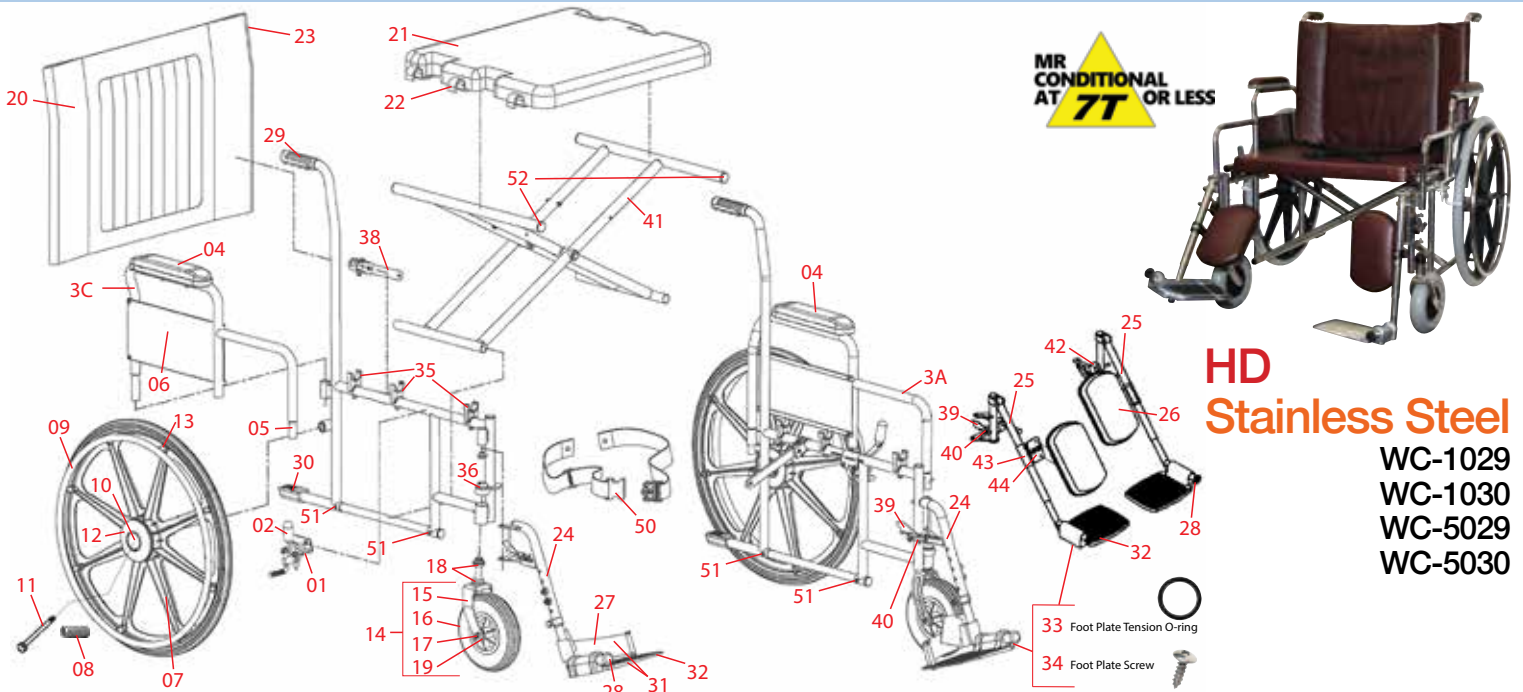
Stainless Steel

- WC-1024
- WC-1025
- WC-5024
- WC-5025

Fig	Model	Description	Page	Price
01	RP-1025-L RP-1025-R	Brake Complete, Left * Brake Complete, Right *	8 8	\$43.51 ea.
02	RP-1081	Rubber Tip for Brake	2	\$5.93 ea.
3A	RP-1063-L-CL	Detach Left Side Desk Length Arm, Complete with skirtguard, armrest & button lock, Color * **	11	\$164.48 ea.
3C	RP-1063-R-CL	Detach Right Side Desk Length Arm, Complete with skirtguard, armrest & button lock, Color * **	11	\$164.48 ea.
04	RP-1038-CL	Desk Length Armrest, Color **	12	\$21.09 ea.
05	RP-1046	Button Lock	12	\$18.46 ea.
06	RP-1043	Skirtguard 13 1/4" x 6"	12	\$27.69 ea.
07	RP-1017	24" Wheel Complete with 5/8" Bearings, Handrim & Hub Cap	5	\$248.00 ea.
08	RP-1181	Washer, for Rear Axle	7	\$6.59 ea.
09	RP-1024	Stainless Steel Handrim	7	\$84.88 ea.
10	RP-1019	5/8" Bearing for Rear Wheel	3	\$12.24 ea.
11	RP-1022	Axle and Nut for Rear Wheel	8	\$87.71 ea.
12	RP-1020	Hub Cap	7	\$10.55 ea.
13	RP-1023	Handrim Screws & Spacers (set of 8)	7	\$27.69 set
14	RP-1009	8" Fork Assembly (fork, 8" wheel, bearings & axle)	6	\$107.23 ea.
15	RP-1012	Fork with Nut	6	\$65.03 ea.
16	RP-1010	8" Wheel with Bearings	5	\$31.64 ea.
17	RP-1014	Axle and Nut for Front Wheel	8	\$15.16 ea.
18	RP-1013	Bearing for Fork Stem	4	\$10.55 ea.
19	RP-1011	Bearing for Front Wheel	4	\$10.55 ea.
20	RP-1088-CL	Back Upholstery w/Hardware **	17	\$189.29 ea.
21	RP-1089-CL	Seat Upholstery w/Hardware **	17	\$151.41 ea.

Fig	Model	Description	Page	Price
22	RP-1220	Seat Attaching Hardware Set	19	\$29.66 set
23	RP-1222	Back Attaching Hardware Set	19	\$12.52 set
24	RP-1002-L RP-1002-R	Footrest Complete Left Side * Footrest Complete Right Side *	13 13	\$189.41 ea.
25	RP-1110-L-CL RP-1110-R-CL	Legrest Complete Left, Color * ** Legrest Complete Right, Color * **	14 14	\$252.00 ea.
26	RP-1084-CL	Calf Pad, Color **	14	\$29.66 ea.
27	RP-1007	Heel Loop with Hardware	23	\$39.55 ea.
28	RP-1154	Bumper	9,16	\$10.55 ea.
29	RP-1082	Handle Grip	9	\$11.21 ea.
30	RP-1083	Kick Tube Cap	9	\$10.60 ea.
31	RP-1121-L RP-1121-R	Foot Plate w/Heel Loop, Left * Foot Plate w/Heel Loop, Right *	16 16	\$54.59 ea.
32	RP-1122	Footplate Only for Footrest & Legrest Universal Left or Right	16	\$26.36 ea.
33	RP-7016	Tension "O" Ring for Foot Plate	16	\$5.93 ea.
34	RP-7017	Screw for Foot Plate	16	\$0.22 ea.
35	RP-1167	Seat Guide (black nylon)	10	\$11.21 ea.
36	RP-1126	Journal Cap for Fork Stem	9	\$7.95 ea.
38	RP-1160	Pivot Link with Bracket & Hdw	22	\$48.78 ea.
39	RP-7000-L RP-7000-R	Lock Lever Complete, Left * Lock Lever Complete, Right *	15 15	\$31.64 ea.
40	RP-7002-L RP-7002-R	Spring Only for Lock Lever, Left * Spring Only for Lock Lever, Right *	15 15	\$13.84 ea.
41	RP-1187	Cross Brace Set	21	\$411.00 set
42	RP-7020-L RP-7020-R	Adjustment Rod Complete, Left * Adjustment Rod Complete, Right *	15 15	\$72.54 ea.
43	RP-7005	Calf Pad Bracket	15	\$33.62 ea.
44	RP-7004	Calf Pad Hinge Plate	15	\$27.69 ea.
46	RP-1212-CL	Handle Closing Straps **	20	\$45.62 set
50	RP-1090-24	Safety Belt, for 24" Wide Chairs	23	\$52.22 ea.
51	RP-1196	Cross Brace Frame Bolt, Set of 4	21	\$14.79 set.
52	RP-3001	Cross Brace Plug, Set of 4	9	\$8.38 set.

* Determine Left or Right when sitting in the wheelchair
 ** Upholstery Colors: 10-Burgundy, 50-Green, 60-Dk. Blue



HD
Stainless Steel
WC-1029
WC-1030
WC-5029
WC-5030

Fig	Model	Description	Page	Price	Fig	Model	Description	Page	Price
01	RP-1025-L RP-1025-R	Brake Complete, Left * Brake Complete, Right *	8	\$43.51 ea.	22	RP-1190	Set of 3 Straps For Seat Upholstery	19	\$250.00 set
02	RP-1081	Rubber Tip for Brake	2	\$5.93 ea.	23	RP-1223	Back Attaching Hardware Set	19	\$13.18 set
3A	RP-1062-L-CL	Detach Left Side Desk Length Arm, Complete with skirtguard, armrest & button lock, Color * **	11	\$189.01 ea.	24	RP-1075-L RP-1075-R	Footrest Complete Left Side * Footrest Complete Right Side *	13 13	\$213.00 ea.
3C	RP-1062-R-CL	Detach Right Side Desk Length Arm, Complete with skirtguard, armrest & button lock, Color * **	11	\$189.01 ea.	25	RP-1112-L-CL RP-1112-R-CL	Legrest Complete Left, Color * ** Legrest Complete Right, Color * **	14 14	\$294.00 ea.
04	RP-1038-CL	Desk Length Armrest, Color **	12	\$21.09 ea.	26	RP-1084-CL	Calf Pad, Color **	14	\$29.66 ea.
05	RP-1046	Button Lock	12	\$18.46 ea.	27	RP-1166-L RP-1166-R	Heel Loop with Hardware, Left Heel Loop with Hardware, Right	23 23	\$39.55 ea.
06	RP-1043	Skirtguard 13 1/4" x 6"	12	\$27.69 ea.	28	RP-1154 RP-1068	Rubber Bumper Roller Bumper	9,16 9	\$10.55 ea. \$11.21 ea.
07	RP-1171	24" Wheel Complete with 5/8" Bearings, Handrim & Hub Cap	5	\$309.00 ea.	29	RP-1082	Handle Grip	9	\$11.21 ea.
08	RP-1179	Spacer, Between Wheel Bearings	7	\$11.21 ea.	30	RP-1083	Kick Tube Cap	9	\$10.60 ea.
09	RP-1024	Stainless Steel Handrim	7	\$84.88 ea.	31	RP-1165-L RP-1165-R	Foot Plate w/Heel Loop, Left * Foot Plate w/Heel Loop, Right *	16 16	\$59.28 ea.
10	RP-1156	5/8" Ceramic Wheel Bearing	3	\$43.51 ea.	32	RP-1164	Footplate Only for Footrest & Legrest Universal Left or Right	16	\$52.74 ea.
11	RP-1022	Axle and Nut for Rear Wheel	8	\$87.71 ea.	33	RP-7016	Tension "O" Ring for Foot Plate	16	\$5.93 ea.
12	RP-1020	Hub Cap	7	\$10.55 ea.	34	RP-7017	Screw for Foot Plate	16	\$0.22 ea.
13	RP-1023	Handrim Screws & Spacers (set of 8)	7	\$27.69 set	35	RP-1167	Seat Guide (black nylon)	10	\$11.21 ea.
14	RP-1047	8" Fork Assembly (fork, 8" wheel, bearings & axle)	6	\$113.08 ea.	36	RP-1126	Journal Cap for Fork Stem	9	\$7.95 ea.
15	RP-1012	Fork with Nut	6	\$65.03 ea.	38	RP-1162	Pivot Link with Bracket & Hdw	22	\$48.78 ea.
16	RP-1048	8" Wheel with Bearings	5	\$39.55 ea.	39	RP-7000-L RP-7000-R	Lock Lever Complete, Left * Lock Lever Complete, Right *	15 15	\$31.64 ea.
17	RP-1014	Axle and Nut for Front Wheel	8	\$15.16 ea.	40	RP-7002-L RP-7002-R	Spring Only for Lock Lever, Left * Spring Only for Lock Lever, Right *	15 15	\$13.84 ea.
18	RP-1013	Bearing for Fork Stem	4	\$10.55 ea.	41	RP-1188	Cross Brace Set	21	\$499.00 set
19	RP-1163	Bearing for Front Wheel	4	\$10.55 ea.	42	RP-7020-L RP-7020-R	Adjustment Rod Complete, Left * Adjustment Rod Complete, Right *	15 15	\$72.54 ea.
20	RP-1149-CL	Back Upholstery w/Hardware **	17	\$189.29 ea.	43	RP-7005	Calf Pad Bracket	15	\$33.62 ea.
21	RP-1131-CL	Solid Seat Upholstery w/Straps **	17	\$351.00 ea.	44	RP-7004	Calf Pad Hinge Plate	15	\$27.69 ea.
					50	RP-1090-24	Safety Belt, for 24" Wide Chairs	23	\$52.22 ea.
					51	RP-1196	Cross Brace Frame Bolt, Set of 4	21	\$14.79 set.
					52	RP-3002	Cross Brace Plug, Set of 4	9	\$9.84 set.

* Determine Left or Right when sitting in the wheelchair
** Upholstery Colors: 10-Burgundy, 50-Green, 60-Dk. Blue

MRI Parts List | 26" Wide HD Wheelchair Desk Length Arms

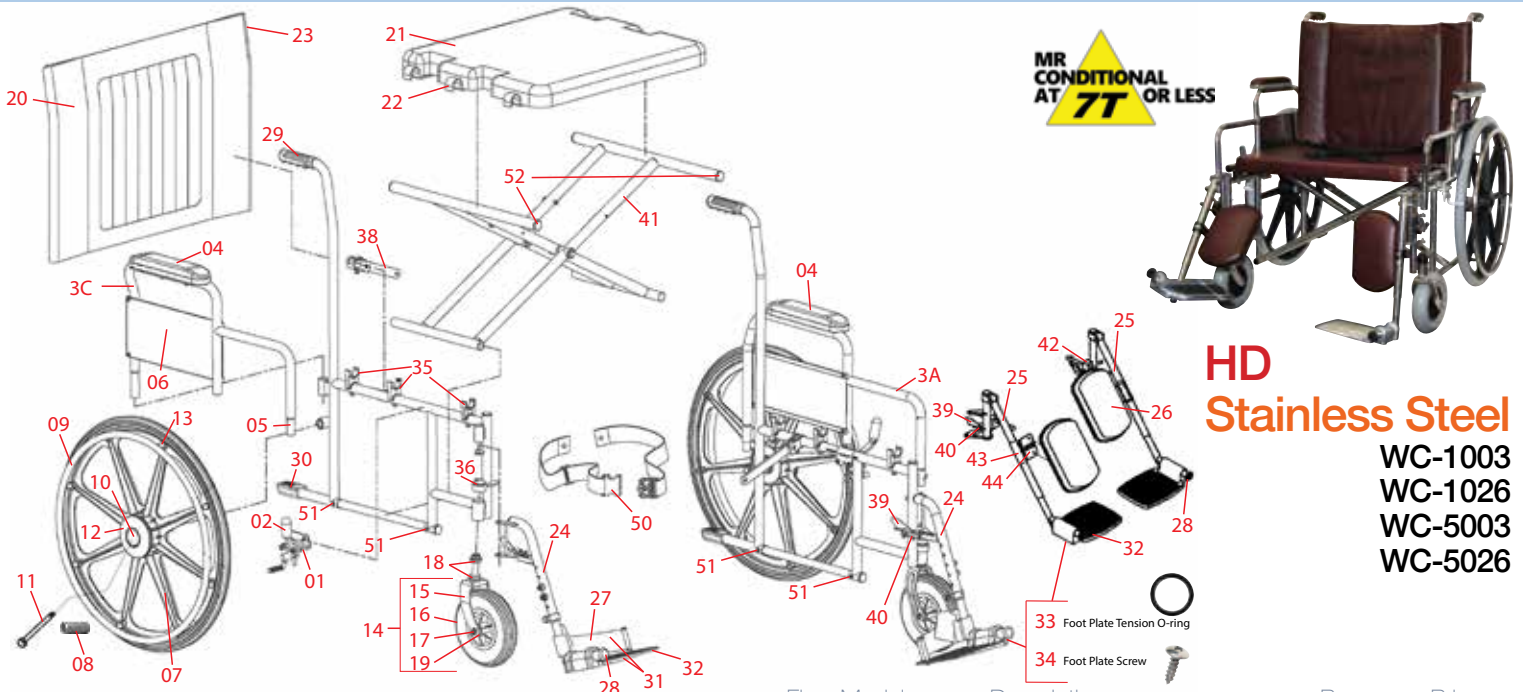
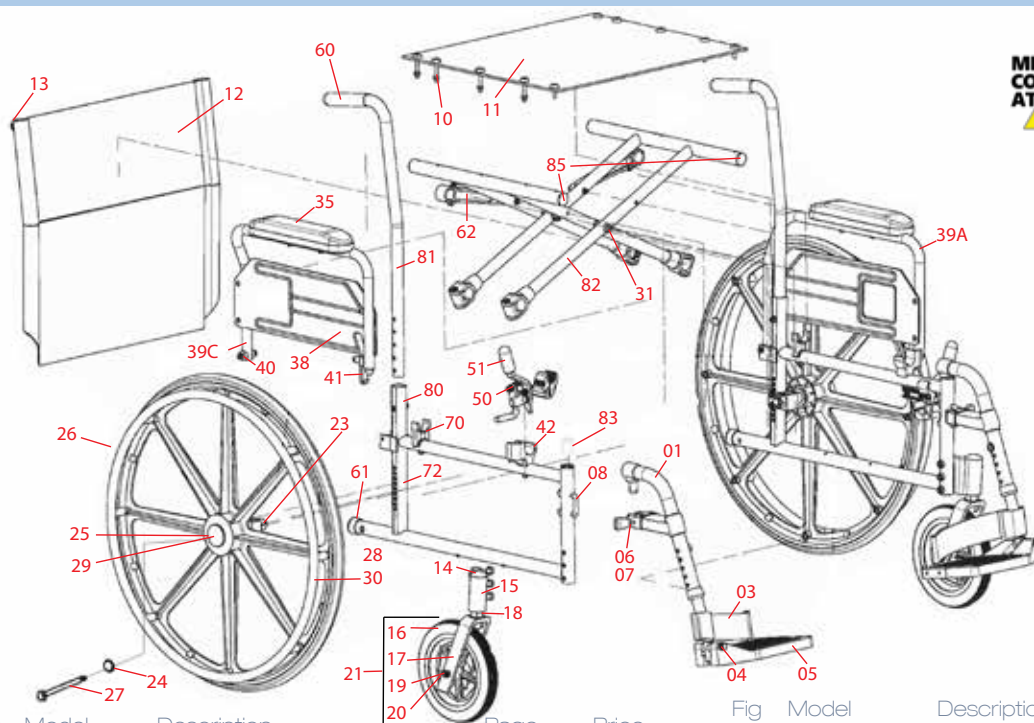


Fig	Model	Description	Page	Price
01	RP-1025-L RP-1025-R	Brake Complete, Left * Brake Complete, Right *	8	\$43.51 ea.
02	RP-1081	Rubber Tip for Brake	2	\$5.93 ea.
3A	RP-1062-L-CL	Detach Left Side Desk Length Arm, Complete with skirtguard, armrest & button lock, Color * **	11	\$189.01 ea.
3C	RP-1062-R-CL	Detach Right Side Desk Length Arm, Complete with skirtguard, armrest & button lock, Color * **	11	\$189.01 ea.
04	RP-1038-CL	Desk Length Armrest, Color **	12	\$21.09 ea.
05	RP-1046	Button Lock	12	\$18.46 ea.
06	RP-1043	Skirtguard 13 1/4" x 6"	12	\$27.69 ea.
07	RP-1171	24" Wheel Complete with 5/8" Bearings, Handrim & Hub Cap	5	\$309.00 ea.
08	RP-1179	Spacer, Between Wheel Bearings	7	\$11.21 ea.
09	RP-1024	Stainless Steel Handrim	7	\$84.88 ea.
10	RP-1156	5/8" Ceramic Wheel Bearing	3	\$43.51 ea.
11	RP-1022	Axle and Nut for Rear Wheel	8	\$87.71 ea.
12	RP-1020	Hub Cap	7	\$10.55 ea.
13	RP-1023	Handrim Screws & Spacers (set of 8)	7	\$27.69 set
14	RP-1047	8" Fork Assembly (fork, 8" wheel, bearings & axle)	6	\$113.08 ea.
15	RP-1012	Fork with Nut	6	\$65.03 ea.
16	RP-1048	8" Wheel with Bearings	5	\$39.55 ea.
17	RP-1014	Axle and Nut for Front Wheel	8	\$15.16 ea.
18	RP-1013	Bearing for Fork Stem	4	\$10.55 ea.
19	RP-1163	Bearing for Front Wheel	4	\$10.55 ea.
20	RP-1052-CL	Back Upholstery w/Hardware **	17	\$189.29 ea.
21	RP-1051-CL	Solid Seat Upholstery w/Straps **	17	\$351.00 set
22	RP-1191	Set of 3 Straps For Seat Upholstery	19	\$250.00 set

Fig	Model	Description	Page	Price
23	RP-1223	Back Attaching Hardware Set	19	\$13.18 set
24	RP-1075-L RP-1075-R	Footrest Complete Left Side * Footrest Complete Right Side *	13	\$213.00 ea.
25	RP-1112-L-CL RP-1112-R-CL	Legrest Complete Left, Color * ** Legrest Complete Right, Color * **	14	\$294.00 ea.
26	RP-1084-CL	Calf Pad, Color **	14	\$29.66 ea.
27	RP-1166-L RP-1166-R	Heel Loop with Hardware, Left Heel Loop with Hardware, Right	23	\$39.55 ea.
28	RP-1154 RP-1068	Rubber Bumper Roller Bumper	9,16	\$10.55 ea. \$11.21 ea.
29	RP-1082	Handle Grip	9	\$11.21 ea.
30	RP-1083	Kick Tube Cap	9	\$10.60 ea.
31	RP-1165-L RP-1165-R	Foot Plate w/Heel Loop, Left * Foot Plate w/Heel Loop, Right *	16	\$59.28 ea.
32	RP-1164	Footplate Only for Footrest & Legrest Universal Left or Right	16	\$52.74 ea.
33	RP-7016	Tension "O" Ring for Foot Plate	16	\$5.93 ea.
34	RP-7017	Screw for Foot Plate	16	\$0.22 ea.
35	RP-1167	Seat Guide (black nylon)	10	\$11.21 ea.
36	RP-1126	Journal Cap for Fork Stem	9	\$7.95 ea.
38	RP-1161	Pivot Link with Bracket and Hardware	22	\$48.78 ea.
39	RP-7000-L RP-7000-R	Lock Lever Complete, Left * Lock Lever Complete, Right *	15	\$31.64 ea.
40	RP-7002-L RP-7002-R	Spring Only for Lock Lever, Left * Spring Only for Lock Lever, Right *	15	\$13.84 ea.
41	RP-1189	Cross Brace Set	21	\$499.00 set
42	RP-7020-L RP-7020-R	Adjustment Rod Complete, Left * Adjustment Rod Complete, Right *	15	\$72.54 ea.
43	RP-7005	Calf Pad Bracket	15	\$33.62 ea.
44	RP-7004	Calf Pad Hinge Plate	15	\$27.69 ea.
50	RP-1090-24	Safety Belt, for 26" Wide Chairs	23	\$52.22 ea.
51	RP-1196	Cross Brace Frame Bolt, Set of 4	21	\$14.79 set.
52	RP-3002	Cross Brace Plug, Set of 4	9	\$9.84 set.

* Determine Left or Right when sitting in the wheelchair
 ** Upholstery Colors: 10-Burgundy, 50-Green, 60-Dk. Blue



**Aluminum
WC-2002**



Fig	Model	Description	Page	Price
01	RP-5003-L RP-5003-R	Footrest Complete, Left Side * Footrest Complete, Right Side *	13	\$138.66 ea.
03	RP-5007-L RP-5007-R	Heel Loop with Hardware, Left * Heel Loop with Hardware, Right *	23	\$39.55 ea.
04	RP-1193	Attaching Hardware for Plastic Footplate	15,16	\$15.16 ea.
05	RP-1174	Footplate Only for Footrest & Legrest Universal Left or Right	16	\$15.16 ea.
06	RP-5069	Front Rigging Lock Assembly Complete, Universal Left or Right	15	\$43.51 ea.
07	RP-1150	Spring Only, for Lock Assembly	15	\$10.55 ea.
08	RP-5067	Front Rigging Lock "U" Bolt	15	\$15.16 ea.
10	RP-5078	Seat Attaching Hardware Set	19	\$68.50 set
11	RP-5014-CL	Seat Upholstery w/Hardware **	18	\$137.25 ea.
12	RP-5017-CL	Back Upholstery w/Hardware **	18	\$94.69 ea.
13	RP-5079	Back Attaching Hardware Set	19	\$13.84 set
14	RP-5061	Black Journal Cap	9	\$11.21 ea.
15	RP-5002-L RP-5002-R	Fork Caster Assembly, Left * Fork Caster Assembly, Right *	6	\$181.99 ea.
16	RP-5021	8" Wheel with Bearings	5	\$48.78 ea.
17	RP-5022	Fork with Nut	6	\$63.94 ea.
18	RP-5023	Bearing for Fork Stem	4	\$13.84 ea.
19	RP-5026	Axle and Nut for Front Wheel	8	\$12.52 ea.
20	RP-1163	Bearing for Front Wheel	4	\$10.55 ea.
21	RP-5075	Wheel Assembly, Fork, Wheel, Bearings and Axle	6	\$112.36 ea.
23	RP-5077	Spacer, Between Wheel & Frame	7	\$10.55 ea.
24	RP-1181	Washer, for Rear Axle	7	\$6.59 ea.
25	RP-1019	5/8" White Nylon Wheel Bearing	3	\$12.24 ea.
26	RP-5058	24" Wheel Complete with 5/8" Bearings, Handrim & Hub Cap	5	\$231.00 ea.
27	RP-5029	Axle and Nut for Rear Wheel	8	\$48.78 ea.

Fig	Model	Description	Page	Price
28	RP-5030	Handrim Screws (set of 8)	7	\$39.55 set
29	RP-1020	4" Large Style Hub Cap	7	\$10.55 ea.
30	RP-5032	Black Nylon Handrim	7	\$29.66 ea.
31	RP-5081	Cross Brace Hardware Only, 2 Sets, Bolt, Nut, Plastic Washer	21	\$70.14 set
35	RP-5033-CL	Desk Length Armrest, Color **	12	\$31.64 ea.
38	RP-5034	Skirtguard 15 1/4" x 5 1/2"	12	\$43.51 ea.
39A	RP-5035-L-CL	Flip Back Left Side Desk Length Arm, Complete with skirtguard, armrest & button lock, Color * **	11	\$178.44 ea.
39C	RP-5035-R-CL	Flip Back Right Side Desk Length Arm, Complete with skirtguard, armrest & button lock, Color * **	11	\$178.44 ea.
40	RP-1097	Flip Up Arm Hardware Only (nut, bolt, spacers)	12	\$11.21 ea.
41	RP-1099	Flip Up Arm Lock, Release Lever	12	\$18.46 ea.
42	RP-5039-L RP-5039-R	Flip Up Arm Socket/Seat Guide, Left * Flip Up Arm Socket/Seat Guide, Right *	10	\$27.69 ea.
50	RP-5000-L RP-5000-R	Brake Complete, Left * Brake Complete, Right *	8	\$56.69 ea.
51	RP-1081	Rubber Tip for Brake	9	\$5.93 ea.
60	RP-5063	Handle Grip	9	\$11.21 ea.
61	RP-5043	Kick Tube Cap	9	\$5.93 ea.
62	RP-5073	Pivot Link with Bracket and Hardware	22	\$27.69 ea.
70	RP-5064	Seat Guide (black nylon)	10	\$15.16 ea.
72	RP-5046-L RP-5046-R	Rear Axle Bracket, Left * Rear Axle Bracket, Right *	8	\$33.62 ea.
80	RP-5048-L RP-5048-R	Lower Main Frame, Left * Lower Main Frame, Right *	20	\$443.00 ea.
81	RP-5054	Back Cane	20	\$65.33 ea.
82	RP-5070	Cross Brace Set	21	\$354.00 set
83	RP-5072	Front Rigging Top Mount Bushing	15	\$13.84 ea.
84	RP-1196	Cross Brace Frame Bolt, Set of 4	21	\$14.79 set.
85	RP-3000	Cross Brace Plug, set of 4	9	\$5.64 set.

* Determine Left or Right when sitting in the wheelchair

** Upholstery Colors: 10-Burgundy, 50-Green, 60-Dk. Blue



MR SAFE



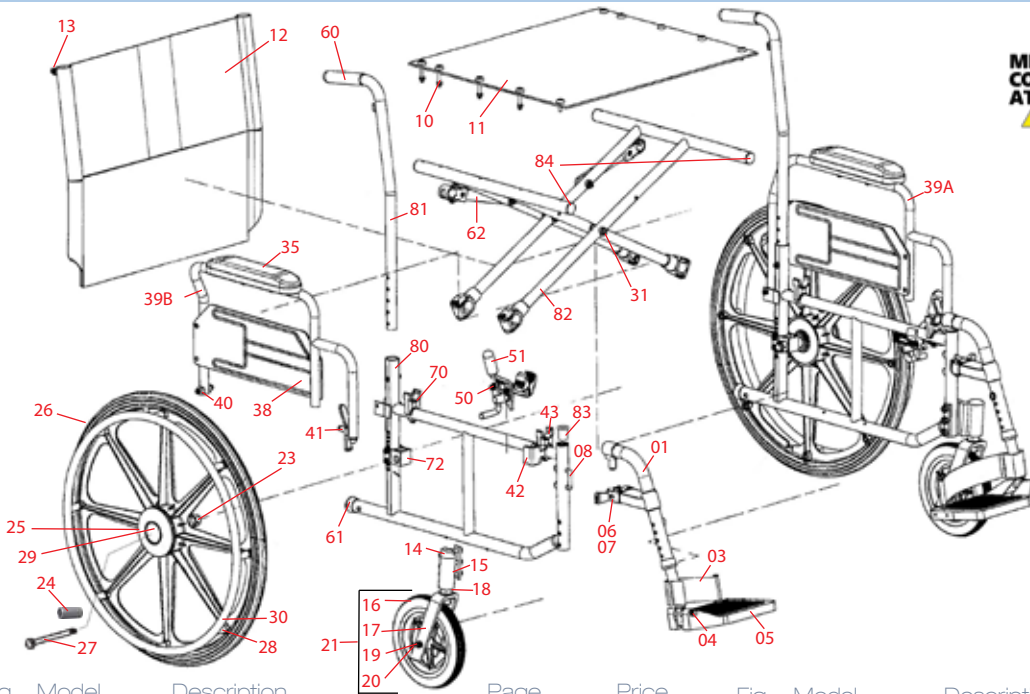
MR CONDITIONAL



MR UNSAFE

view www.MRIequip.com

MRI Parts List | 22" Wide Aluminum Non-Ferromagnetic Wheelchair



**Aluminum
WC-2005**



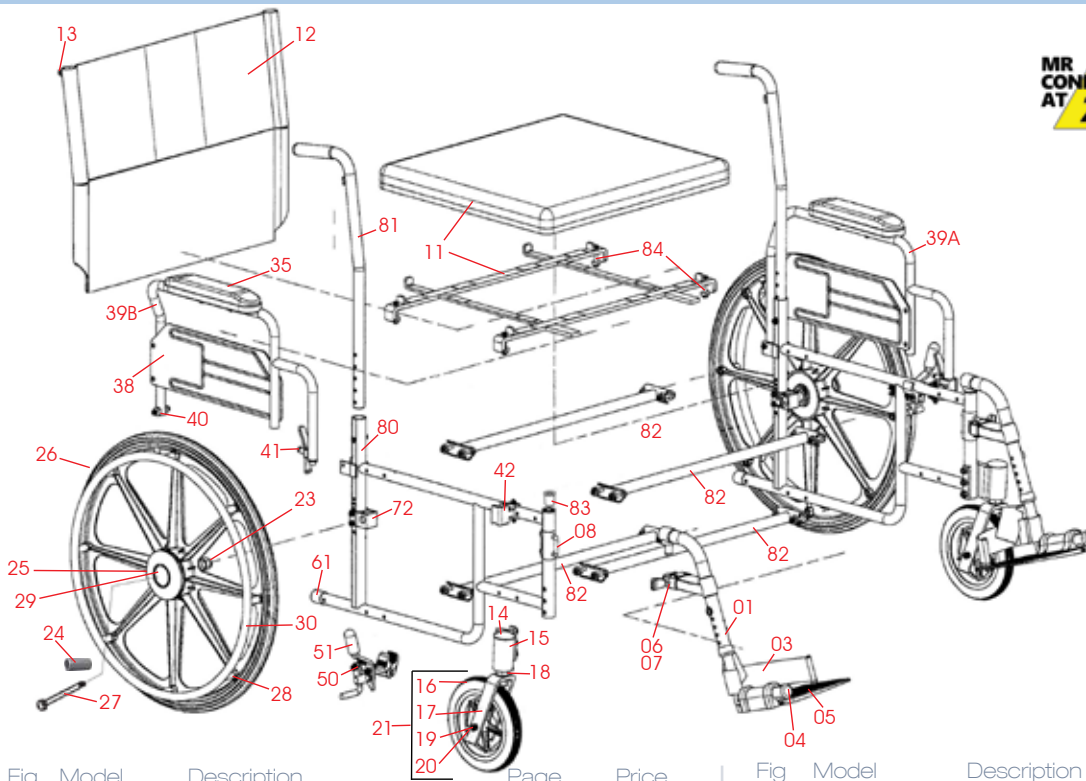
Fig	Model	Description	Page	Price
01	RP-5003-L RP-5003-R	Footrest Complete, Left Side * Footrest Complete, Right Side *	13 13	\$138.66 ea.
03	RP-5007-L RP-5007-R	Heel Loop with Hardware, Left * Heel Loop with Hardware, Right *	23 23	\$39.55 ea.
04	RP-1193	Attaching Hardware for Plastic Footplate	15,16	\$15.16 ea.
05	RP-1174	Footplate Only for Footrest & Legrest Universal Left or Right	16	\$15.16 ea.
06	RP-5069	Front Rigging Lock Assembly Complete, Universal Left or Right	15	\$43.51 ea.
07	RP-1150	Spring Only, for Lock Assembly	15	\$10.55 ea.
08	RP-5067	Front Rigging Lock "U" Bolt	15	\$15.16 ea.
10	RP-5078	Seat Attaching Hardware Set	19	\$68.50 set
11	RP-5015-CL	Seat Upholstery w/Hardware **	18	\$143.06 ea.
12	RP-5018-CL	Back Upholstery w/Hardware **	18	\$109.41 ea.
13	RP-5080	Back Attaching Hardware Set	19	\$29.66 set
14	RP-5061	Black Journal Cap	9	\$11.21 ea.
15	RP-5002-L RP-5002-R	Fork Caster Assembly, Left * Fork Caster Assembly, Right *	6 6	\$181.99 ea.
16	RP-5021	8" Wheel with Bearings	5	\$48.78 ea.
17	RP-5022	Fork with Nut	6	\$63.94 ea.
18	RP-5023	Bearing for Fork Stem	4	\$13.84 ea.
19	RP-5026	Axle and Nut for Front Wheel	8	\$12.52 ea.
20	RP-1163	Bearing for Front Wheel	4	\$10.55 ea.
21	RP-5075	Wheel Assembly, Fork, Wheel, Bearings and Axle	6	\$112.36 ea.
23	RP-5077	Spacer, Between Wheel & Frame	7	\$10.55 ea.
24	RP-1179	Spacer, Between Wheel Bearings	7	\$11.21 ea.
25	RP-1156	5/8" Ceramic Wheel Bearing	3	\$43.51 ea.
26	RP-5059	24" Wheel Complete with 5/8" Bearings, Handrim & Hub Cap	5	\$289.00ea.

Fig	Model	Description	Page	Price
27	RP-5029	Axle and Nut for Rear Wheel	8	\$48.78 ea.
28	RP-5030	Handrim Screws (set of 8)	7	\$39.55 set
29	RP-1020	Hub Cap	9	\$10.55 ea.
30	RP-5032	Black Nylon Handrim	7	\$29.66 ea.
31	RP-5081	Cross Brace Hardware Only, 2 Sets, Bolt, Nut, Plastic Washer	21	\$70.14 set
35	RP-5033-CL	Desk Length Armrest, Color **	12	\$31.64 ea.
38	RP-5034	Skirtguard 15 1/4" x 5 1/2"	12	\$43.51 ea.
39A	RP-5037-L-CL	Flip Back Left Side Desk Length Arm, Complete with skirtguard, armrest & button lock, Color * **	11	\$178.44 ea.
39B	RP-5037-R-CL	Flip Back Right Side Desk Length Arm, Complete with skirtguard, armrest & button lock, Color * **	11	\$178.44 ea.
40	RP-1097	Flip Up Arm Hardware Only (nut, bolt, spacers)	12	\$11.21 ea.
41	RP-1099	Flip Up Arm Lock, Release Lever	12	\$18.46 ea.
42	RP-5041-L RP-5041-R	Flip Up Arm Socket, Left * Flip Up Arm Socket, Right *	10 10	\$65.33 ea.
43	RP-5066	Seat Guide, Black Nylon	10	\$21.09 ea.
50	RP-5000-L RP-5000-R	Brake Complete, Left * Brake Complete, Right *	8 8	\$56.69 ea.
51	RP-1081	Rubber Tip for Brake	9	\$5.93 ea.
60	RP-5063	Handle Grip	9	\$11.21 ea.
61	RP-5043	Kick Tube Cap	9	\$5.93 ea.
62	RP-5074	Pivot Link with Bracket and Hardware	22	\$27.69 ea.
70	RP-5064	Rear Seat Guide (black nylon)	10	\$15.16 ea.
72	RP-5046-L RP-5046-R	Rear Axle Bracket, Left * Rear Axle Bracket, Right *	8 8	\$33.62 ea.
80	RP-5050-L RP-5050-R	Lower Main Frame, Left * Lower Main Frame, Right *	20 20	\$510.00 ea.
81	RP-5055	Back Cane	20	\$68.34 ea.
82	RP-5071	Cross Brace Set	21	\$387.00 set
83	RP-5072	Front Rigging Top Mount Bushing	15	\$13.84 ea.
84	RP-3000	Cross Brace Plug, set of 4	9	\$5.64 set

* Determine Left or Right when sitting in the wheelchair

** Upholstery Colors: 10-Burgundy, 50-Green, 60-Dk. Blue

24" Wide Aluminum Non Ferromagnetic Wheelchair | MRI Parts List



**HD
Aluminum
WC-2006**



Fig	Model	Description	Page	Price
01	RP-5005-L RP-5005-R	Footrest Complete, Left Side * Footrest Complete, Right Side *	13 13	\$204.00 ea.
03	RP-5009-L RP-5009-R	Heel Loop with Hardware, Left * Heel Loop with Hardware, Right *	23 23	\$39.55 ea.
04	RP-5011	Front Bumper, Black	16	\$11.21 ea.
05	RP-1164	Footplate Only for Footrest & Legrest Universal Left or Right	16	\$52.74 ea.
06	RP-5069	Front Rigging Lock Assembly Complete, Universal Left or Right	15	\$43.51 ea.
07	RP-1150	Spring Only, for Lock Assembly	15	\$10.55 ea.
08	RP-5067	Front Rigging Lock "U" Bolt	15	\$15.16 ea.
10	RP-1224	Seat Attaching Bracket Only	15	\$387.00 ea.
11	RP-5016-CL	Solid Seat Uph. w/Bracket **	18	\$399.00 ea.
12	RP-5019-CL	Back Upholstery w/Hardware **	18	\$161.98 ea.
13	RP-5080	Back Attaching Hardware Set	19	\$29.66 set
14	RP-5062	Black Journal Cap	9	\$11.21 ea.
15	RP-5020-L RP-5020-R	Fork Caster Assembly, Left * Fork Caster Assembly, Right *	6 6	\$246.00 ea.
16	RP-5021	8" Wheel with Bearings	5	\$48.78 ea.
17	RP-5025	Fork with Nut	6	\$73.63 ea.
18	RP-5060	Bearing for Fork Stem	4	\$73.14 ea.
19	RP-5026	Axle and Nut for Front Wheel	8	\$12.52 ea.
20	RP-1163	Bearing for Front Wheel	4	\$10.55 ea.
21	RP-5075	Wheel Assembly, Fork, Wheel, Bearings and Axle	6	\$112.36 ea.
23	RP-5077	Spacer, Between Wheel & Frame	7	\$10.55 ea.
24	RP-1179	Spacer, Between Wheel Bearings	7	\$11.21 ea.
25	RP-1156	5/8" Ceramic Wheel Bearing	3	\$43.51 ea.
26	RP-5059	24" Wheel Complete with 5/8" Bearings, Handrim & Hub Cap	5	\$289.00 ea.

Fig	Model	Description	Page	Price
27	RP-5029	Axle and Nut for Rear Wheel	8	\$48.78 ea.
28	RP-5030	Handrim Screws & Spacers (set of 8)	7	\$39.55 set
29	RP-1020	Hub Cap	9	\$10.55 ea.
30	RP-5032	Black Nylon Handrim	7	\$29.66 ea.
35	RP-5033-CL	Desk Length Armrest, Color **	12	\$31.64 ea.
38	RP-5034	Skirtguard 15 1/4" x 5 1/2"	12	\$43.51 ea.
39A	RP-5037-L-CL	Flip Back Left Side Desk Length Arm, Complete with skirtguard, armrest & button lock, Color * **	11	\$178.44 ea.
39B	RP-5037-R-CL	Flip Back Right Side Desk Length Arm, Complete with skirtguard, armrest & button lock, Color * **	11	\$178.44 ea.
40	RP-1097	Flip Up Arm Hardware Only (nut, bolt, spacers)	12	\$11.21 ea.
41	RP-1099	Flip Up Arm Lock, Release Lever	12	\$18.46 ea.
42	RP-5041-L RP-5041-R	Flip Up Arm Socket, Left * Flip Up Arm Socket, Right *	10 10	\$65.33 ea.
50	RP-5000-L RP-5000-R	Brake Complete, Left * Brake Complete, Right *	8 8	\$56.69 ea.
51	RP-1081	Rubber Tip for Brake	9	\$5.93 ea.
60	RP-5063	Handle Grip	9	\$11.21 ea.
61	RP-6000	Kick Tube Cap	9	\$5.93 ea.
72	RP-5046-L RP-5046-R	Rear Axle Bracket, Left * Rear Axle Bracket, Right *	8 8	\$33.62 ea.
80	RP-5052-L RP-5052-R	Lower Main Frame, Left * Lower Main Frame, Right *	20 20	\$478.00 ea.
81	RP-5056	Back Cane	20	\$78.27 ea.
82	RP-5045	Frame Support Tube, 1 Each	21	\$82.46 ea.
83	RP-5072	Front Rigging Top Mount Bushing	15	\$13.84 ea.
84	RP-1225	Aluminum Seat Bolts	19	\$39.55 set

* Determine Left or Right when sitting in the wheelchair
 ** Upholstery Colors: 10-Burgundy, 50-Green, 60-Dk. Blue



Stainless Steel

- ST-2000
- ST-2001
- ST-2002
- ST-2003
- ST-2004
- ST-2013
- ST-2014
- ST-2015

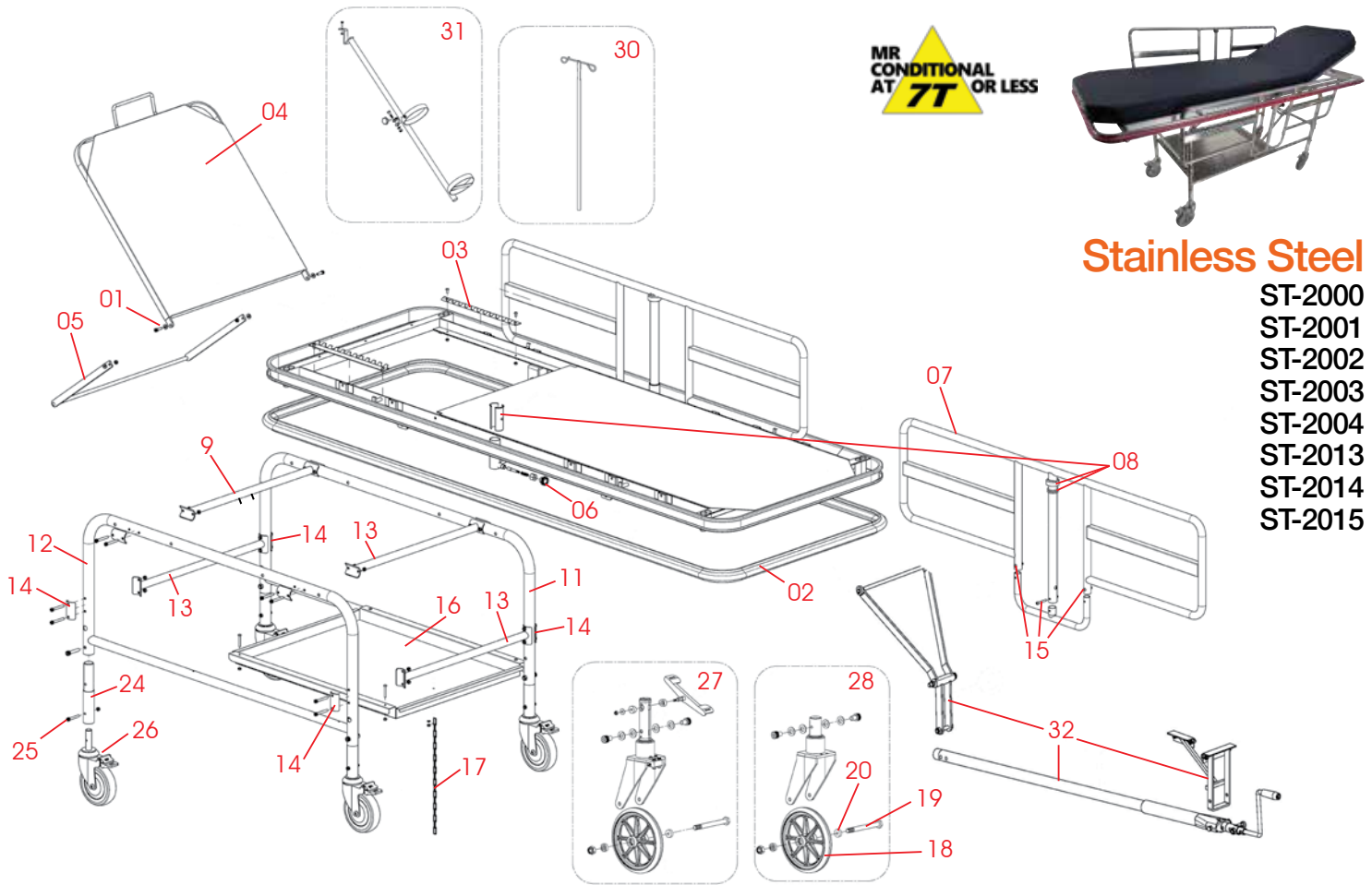


Fig	Model	Description	Price
01	ST-2734	Attaching Bolts for Head Support, Set of 2	\$18.46 set
02	ST-2702	Red Stretcher Bumper	\$197.40 ea.
03	ST-2703	Latch Strip w/ Attaching Hardware	\$56.69 ea.
04	ST-2704	Back w/ Attaching Hardware	\$375.00 ea.
05	ST-2705	Back Support	\$176.78 ea.
06	ST-2733	Release Knob Complete for Side Rail	\$29.66 ea.
07	ST-2709 ST-2454 ST-2453	Side Rail Complete, Serial Number STR-00711 & Up Serial Numbers STR00741 - STR00770 Serial Numbers STR00001 - STR00740	\$590.00 ea. \$590.00 ea. \$590.00 ea.
08	ST-2635	Plastic Bushing Set, for Side Rail Vertical Tube	\$13.84 ea.
09	ST-2724	Frame Cross Tube Support for Fowler Crank Position Bolt	\$131.11 ea.
11	ST-2711-R	Stretcher Main Frame, Left *	\$500.00 ea.
12	ST-2711-R	Stretcher Main Frame, Right *	\$500.00 ea.
13	ST-2713	Frame Cross Tube Support	\$105.13 ea.
14	ST-2815	U Shape Frame Support Brace, with Hardware	\$43.51 ea.
15	ST-2810	Railing Screws set for 1 Rail	\$19.78 set

Fig	Model	Description	Price
16	ST-2716	Utility Shelf	\$297.00 ea.
17	ST-2717	Chain w/ Screw	\$39.55 ea.
18	RP-1010	8" Caster Wheel w/ Bearings	\$31.64 ea.
19	RP-1014	8" Caster Axle	\$15.16 ea.
20	RP-1011	8" Caster Bearings	\$10.55 ea.
24	ST-2754	Adapter for Stretcher Leg, w/ Attaching Hardware	\$60.84 ea.
25	ST-2715	Attaching Bolt and Nut for Caster	\$16.03 ea.
26	ST-2753	5" Caster w/ Brake, Complete	\$178.24 ea.
27	ST-2755	8" Caster w/ Brake and Pedal, Complete	\$453.00 ea.
28	ST-2756	8" Caster Complete	\$338.00 ea.
30	ST-2006	IV Pole for Stretcher	\$254.00 ea.
31	ST-2009	O2 Tank Holder for E Cylinder Tanks	\$300.00 ea.
32	ST-2460	Complete Crank Assembly	\$623.00 ea.
	ST-2005-CL	Replacement Stretcher Pad **	\$394.00 ea.
	ST-2008	Safety Straps, Set of 3	\$137.92 set
	ST-2007-CL	Rail Pads, Pair **	\$232.00 pr

* Determine Left or Right when Laying on the Stretcher

** Upholstery Colors: 10-Burgundy Naugahyde, 50-Green Naugahyde, 46-Black Fusion

Stainless Steel



Fig.	Model	Des.	Description	Quantity	Price
A	ST-2734		Head Support Hardware	1 Set	\$18.46 set
B	ST-2713		Frame Cross Tube	1 each	\$105.13 ea.
C	ST-2754		Caster Adapter w/ Hardware	1 each	\$60.84 ea.
D	ST-2715		Caster Nut & Bolt for Attaching Caster	1 each	\$16.03 ea.
E	ST-2753		5" Caster w/ Nut & Bolt	1 each	\$178.24 ea.
F	ST-2815		"U" Shaped Frame Support Brace	1 each	\$43.51 set
G	ST-2717		Chain w/ Attaching Screw & Nut	1 each	\$39.55 ea.
H	ST-2810		Railing Screws set for 1 Rail	1 Set	\$19.78 set
I	ST-2733		Release Knob Assembly w/ Spring & Pin	1 Set	\$29.66 ea.
J	ST-2635		Railing Sleeve, O-Rings, & Top Cover Set	1 each	\$13.84 set
K	ST-2705		Support Tube Assembly for Backrest	1 each	\$176.78 ea.



Back Assembly Complete with Attaching Hardware

Fits **Stainless Steel** Stretcher

Model	Des.	Price
ST-2704		\$375.00 ea.



IV Pole for Stretcher

Fits **Stainless Steel** Stretcher

Model	Des.	Price
ST-2006		\$254.00 ea.



Latch Strip with Attaching Hardware

Fits **Stainless Steel** Stretcher

Model	Des.	Price
ST-2703		\$56.69 ea.



Oxygen Holder

Fits **Stainless Steel** Stretcher

Model	Des.	Price
ST-2009		\$300.00 ea.



Fowler Crank

Fits **Stainless Steel** Stretcher

Model	Des.	Price
ST-2460		\$623.00 ea.



Main Frame Right & Left Side for Stainless Steel Stretcher

Fits **Stainless Steel** Stretcher

Model	Des.	Side	Price
ST-2711-L		Left	\$500.00 ea.
ST-2711-R		Right	\$500.00 ea.

Determine Left or Right when Laying on the Stretcher



Utility Shelf for Stainless Steel Stretcher

Fits **Stainless Steel** Stretcher

Model	Des.	Price
ST-2716		\$297.00 ea.



8" Castor Wheel for Stainless Steel Stretcher

Fits **Stainless Steel** Stretcher

Model	Des.	Price
RP-1010		\$31.64 ea.



8" Castor for Stainless Steel Stretcher

Fits **Stainless Steel** Stretcher
2 Per Assembly

Model	Des.	Price
ST-2756		\$338.00 ea.



8" Castor w/ Swivel lock and Wheel Brake for Stainless Steel Stretcher

Fits **Stainless Steel** Stretcher
2 Per Assembly

Model	Des.	Price
ST-2755		\$453.00 ea.



Fowler Cross Tube

Fits **Stainless Steel** Stretcher

Model	Des.	Price
ST-2724		\$131.11 ea.



8" Castor Bearing for Stainless Steel Stretcher

Fits **Stainless Steel** Stretcher

Model	Des.	Price
RP-1011		\$10.55 ea.



8" Castor Axle for Stainless Steel Stretcher

Fits **Stainless Steel** Stretcher

Model	Des.	Price
RP-1014		\$15.16 ea.



Red Bumper for Stainless Steel Stretcher

Fits **Stainless Steel** Stretcher

Model	Des.	Price
ST-2702		\$197.40 ea.



Side Rail Complete

Fits **Stainless Steel** Stretcher

Model	Des.	Fits	Price
ST-2709		Serial Numbers STR00771 and UP	\$590.00 ea.
ST-2454		Serial Numbers STR00741 Thru STR00770	\$590.00 ea.
ST-2453		Serial Numbers STR00001 Thru STR00740	\$590.00 ea.



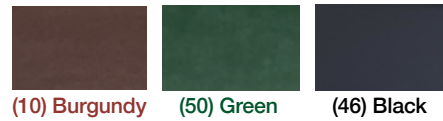
Stainless Steel

Stainless Steel Stretcher Accessories

Fig	Model	Des.	Description	Price
C	ST-2008		Safety Straps, Set of 3	\$137.92 ea.
D	ST-2006		Stainless Steel I.V. Pole	\$254.00 ea.



Specify Color



Side Rail Pads for MRI Stainless Steel Stretcher

Pad Size - 49"L x 12"H, Sold In Pairs
Custom Sizes Available Upon Request

Model	Des.	Price
ST-2007-CL		\$232.00 pr.

A

B



Stretcher Pad, Burgundy Naugahyde
73.5" Long x 23" Wide x 3" Thick

Model	Des.	Price
ST-2005-10		\$394.00 ea.



Stretcher Pad, Green Naugahyde
73.5" Long x 23" Wide x 3" Thick

Model	Des.	Price
ST-2005-50		\$394.00 ea.



Stretcher Pad, Black Fusion
73.5" Long x 23" Wide x 3" Thick

Model	Des.	Price
ST-2005-46		\$394.00 ea.

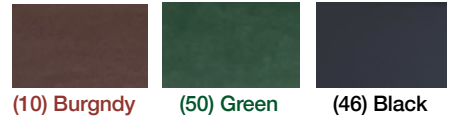


Aluminum

Aluminum Stretcher Accessories

Fig	Model	Des.	Description	Price
C	ST-2017		Safety Straps, Set of 3	\$137.92 ea.
D	ST-5100		Aluminum I.V. Pole	\$249.00 ea.
E	ST-5101		Aluminum O2 Holder	\$248.00 ea.
F	ST-2354		Aluminum Locking 5" Caster	\$302.00 ea.

Specify Color



Side Rail Pads for MRI Non-Ferromatic Aluminum Stretcher

Pad Size - 48"L x 11"H, Sold In Pairs
Custom Sizes Available Upon Request

Model	Des.	Price
ST-2012-CL		\$232.00 pr.

Side Rail Pads for MRI Non-Ferromatic Aluminum Stretcher

Pad Size - 40"L x 11"H, Sold In Pairs
Custom Sizes Available Upon Request

Model	Des.	Price
ST-2020-CL		\$232.00 pr.



Stretcher Pad, Burgundy Naugahyde

73.5" Long x 23" Wide x 3" Thick

Model	Des.	Price
ST-2005-10		\$394.00 ea.



Stretcher Pad, Green Naugahyde

73.5" Long x 23" Wide x 3" Thick

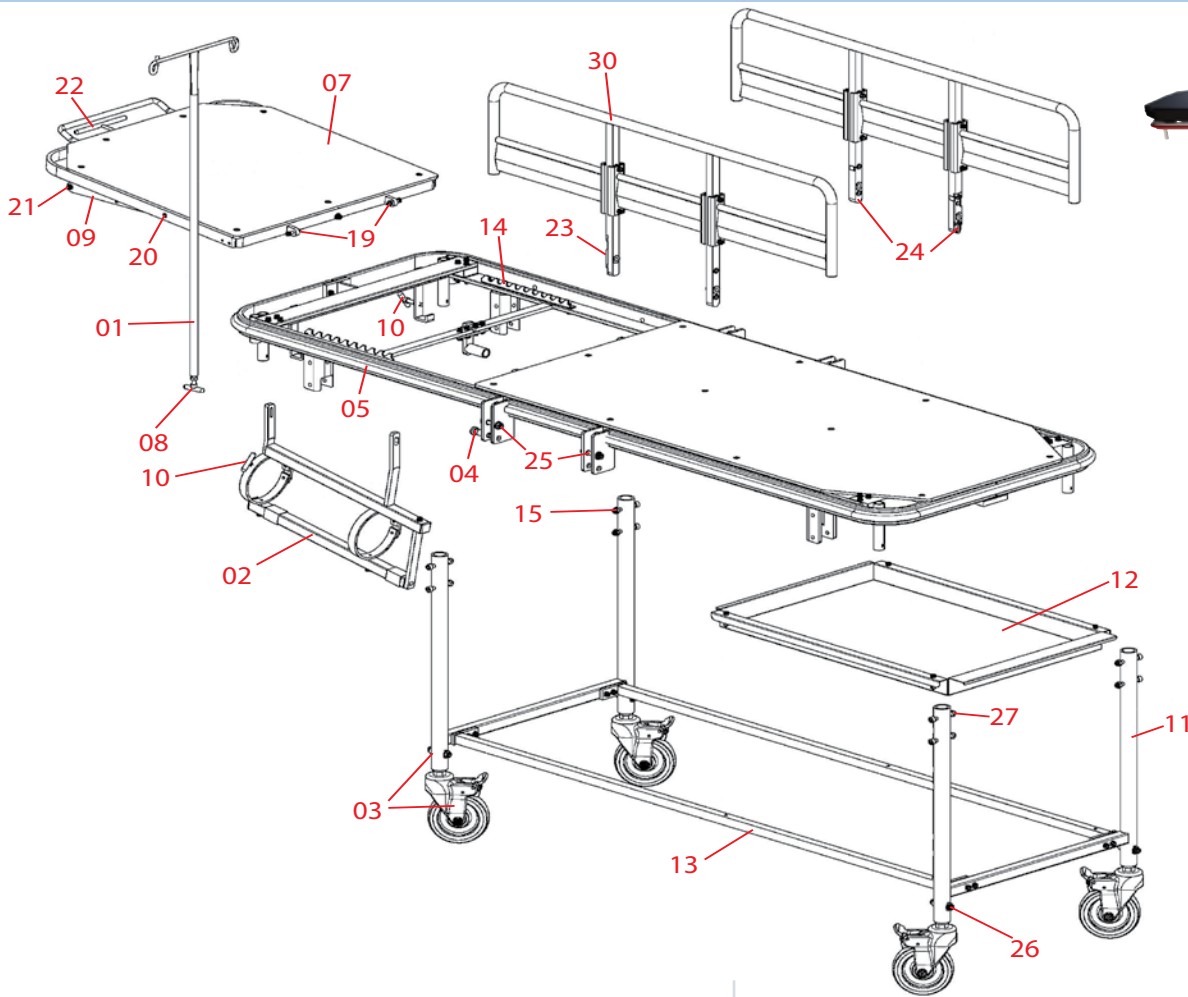
Model	Des.	Price
ST-2005-50		\$394.00 ea.



Stretcher Pad, Black Fusion

73.5" Long x 23" Wide x 3" Thick

Model	Des.	Price
ST-2005-46		\$394.00 ea.



Aluminum ST-5000



Fig	Model	Description	Price	Fig	Model	Description	Price
01	ST-5100	IV Pole for Aluminum Stretcher	\$249.00 ea.	20	ST-5188	Head Support Mounting Bolt, Nut, & Plastic Washers	\$23.73 ea.
02	ST-5101	O2 Tank Holder for E Cylinder Tanks	\$248.00 ea.	21	ST-5186	Head Support Bar Bolt & Plastic Washer	\$15.16 ea.
03	ST-2354	5" Caster w/ Brake, w/ Attaching Hardware & Caster Socket	\$302.00 ea.	22	ST-5187	Head Adjustment Pull Bar	\$63.54 ea.
04	ST-5700	Rail Release Button Assembly	\$23.73 ea.	23	ST-5184	Railing Glide Bracket / Fixes 1 Rail Fits SN#'s STR00621 and Up	\$64.15 ea.
05	ST-2702	Red Rubber Bumper	\$197.40 ea.	24	ST-5183	Plastic Railing Glides / Fixes 1 Rail (STR00406-STR00480) & (STR00561-STR00580)	\$70.14 ea.
07	ST-5164	Back Assembly Complete w/ Attaching Hardware	\$791.00 ea.	25	ST-5191	Side Rail Mounting Bolt, Nut & Plastic Washers	\$36.92 ea.
08	ST-5170	"T" Knobe for IV Pole	\$21.31 ea.	26	ST-5190	Caster Bolt, Nut, & Plastic Washers	\$23.73 ea.
09	ST-5167	Back Position Lock Assembly	\$307.00 ea.	27	ST-5171	Leg Bolt & Nut	\$29.66 ea.
10	ST-5169	"T" Knob for O2 Holder	\$18.46 ea.	30		Side Rails Complete, Order By Serial # See Page 45 for More Info	
11	ST-5180	Leg Only w/ Attaching Hardware	\$369.00 ea.		ST-5177-OB	Fits SN#'s STR00406 Thru STR00580	\$633.00 ea.
12	ST-5181	Aluminum Utility Tray	\$369.00 ea.		ST-5177-OC	Fits SN#'s STR00621 Thru STR01509	\$633.00 ea.
13	ST-5182	Lower Frame Connector set w/ Attaching Hardware	\$304.00 ea.		ST-5178-LT	Fits SN#'s STR01510 and Up, Left	\$633.00 ea.
14	ST-5159	Ratchet Positioners for Backrest	\$92.55 ea.	ST-5178-RT	Fits SN#'s STR01510 and Up, Right	\$633.00 ea.	
15	ST-5171	Frame Leg Bolt & Nut	\$29.66 ea.	ST-2005-CL	Replacement Stretcher Pad **	\$394.00 ea.	
19	ST-5189	Head Pannel Mounting Bolt, Nut, & Plastic Washers	\$23.73 ea.	ST-2017	Safety Straps, Set of 3	\$137.92 set	
<p>* Determine Left or Right when Laying on the Stretcher</p> <p>** Upholstery Colors: 10-Burgundy Naugahyde, 50-Green Naugahyde, 46-Black Fusion</p>				ST-2012-CL	Rail Pads, Pair, 47"L x 11"H **	\$232.00 pr.	
				ST-2020-CL	Rail Pads, Pair, 40"L x 11"H **	\$232.00 pr.	

Aluminum



Fig.	Model	Des.	Description	Quantity	Price
A	ST-5186		Head Support Bar Bolt & Plastic Washer	1 each	\$15.16 ea.
B	ST-5187		Head Adjustment Pull Bar	1 each	\$63.54 ea.
C	ST-5188		Head Support Mounting Bolt, Nut, & Plastic Washers	1 each	\$23.73 ea.
D	ST-5189		Head Panel Mounting Bolt, Nut, & Plastic Washers	1 each	\$23.73 ea.
E	ST-5171		Leg Bolt & Nut	1 each	\$29.66 ea.
F	ST-5190		Caster Bolt, Nut, & Plastic Washers	1 each	\$23.73 ea.
G	ST-2354		5" Caster w/ Attaching Hardware & Caster Socket	1 each	\$302.00 ea.
H	ST-5191		Side Rail Mounting	1 each	\$36.92 ea.
I	ST-5184		Railing Glide Bracket / Fixes 1 Rail, Fits SN#'s STR00621 and Up	1 Set	\$64.15 ea.
J	ST-5700		Rail Release Button Assembly	1 each	\$23.73 ea.
K	ST-5183		Plastic Railing Guides / Fixes 1 Rail Fits Serial #'s: STR00406 - STR00480 & STR00561 - STR00580	1 Set	\$70.14 ea.
L	ST-5182		Lower Frame Connector w/ Hardware	1 each	\$304.00 ea.
M	ST-5159		Ratchet Positioners for Backrest	1 set	\$92.55 ea.



Side Rail Complete For Aluminum 39 3/4" Length

Fits **Aluminum** Stretchers
Fits SN#'s STR00406 to STR00580

Model	Des.	Price
ST-5177-OB		\$633.00 ea.



Side Rail Complete For Aluminum 39 3/4" Length

Fits **Aluminum** Stretchers
Fits SN#'s STR00581 to STR01509

Model	Des.	Price
ST-5177-OC		\$633.00 ea.



Side Rail Complete for Aluminum Stretcher 47 1/4" Length

Fits **Aluminum** Stretchers
Fits SN#'s STR01510 and Up

Model	Des.	Side	Price
ST-5178-RT		Right	\$633.00 ea.
ST-5178-LT		Left	\$633.00 ea.

Determine Left or Right when laying on the stretcher



Back Assembly Complete with Attaching Hardware

Fits **Aluminum** Stretcher

Model	Des.	Price
ST-5164		\$791.00 ea.



Red Bumper for Aluminum Stretcher

Fits **Aluminum** Stretcher

Model	Des.	Price
ST-2702		\$197.40 ea.



"T" Knob for O2 Holder

Fits **Aluminum** Stretcher

Model	Des.	Price
ST-5169		\$18.46 ea.

IV Pole for Aluminum Stretcher

Fits **Aluminum** Stretcher

Model	Des.	Price
ST-5100		\$249.00 ea.



O2 Holder for Aluminum Stretcher

Fits **Aluminum** Stretcher

Model	Des.	Price
ST-5101		\$248.00 ea.



Non-Ferro Magnetic Utility Tray

Fits **Aluminum** Stretcher

Model	Des.	Price
ST-5181		\$369.00 ea.



Support Tube Assembly for Backrest

Fits **Aluminum** Stretcher

Model	Des.	Price
ST-5167		\$307.00 ea.



"T" Knob for IV Pole

Fits **Aluminum** Stretcher

Model	Des.	Price
ST-5170		\$21.31 ea.

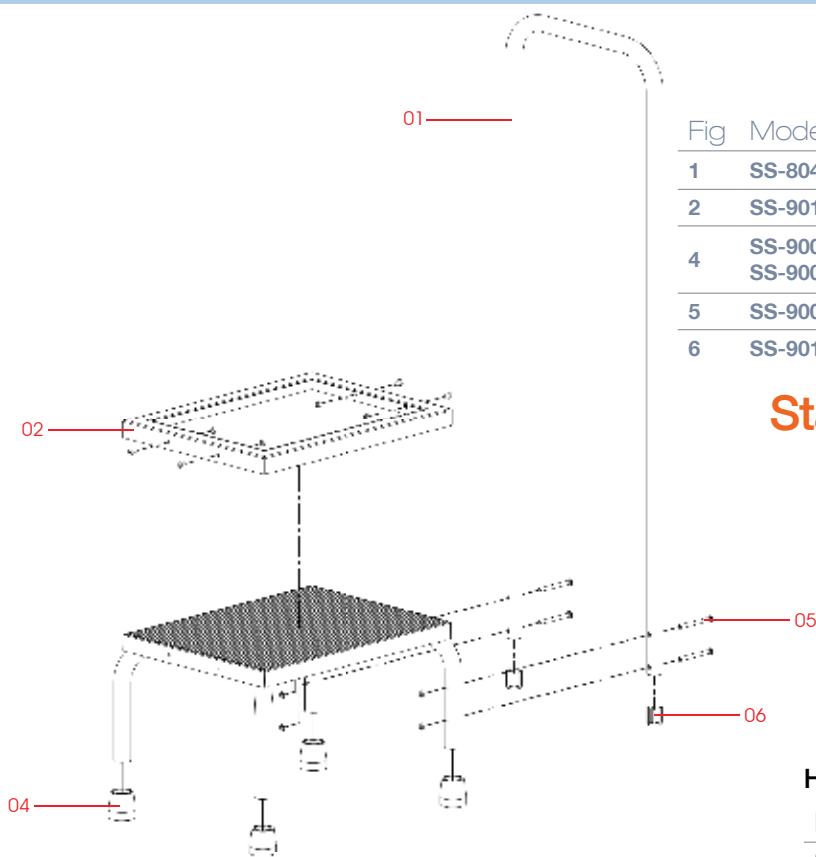


Fig	Model	Description	Price
1	SS-8046	Handrail w/Attaching Hardware	\$108.32 ea.
2	SS-9013	Base Frame w/Attaching Hardware	\$263.00 ea.
4	SS-9007	Rubber Base Tip, 1 each	\$5.93 ea.
	SS-9003	Rubber Base Tip, Set of 4	\$19.78 set
5	SS-9002	Hardware Set for Attaching Handrail	\$63.88 set
6	SS-9014	End Plug for Handrail	\$4.77 ea.

Stainless Steel



Handrail w/Attaching Hardware

Model	Des.	Price
SS-8046		\$108.32 ea.

End Plug for Handrail

Model	Des.	Price
SS-9014		\$4.77 ea.

Base Frame w/Attaching Hardware

Model	Des.	Price
SS-9013		\$263.00 ea.

Hardware Set for Attaching Handrail

Model	Des.	Price
SS-9002		\$63.88 set

Rubber Base Tip

Model	Des.	Description	Price
SS-9007		Rubber Base Tip 1 ea	\$5.93 ea.
SS-9003		Rubber Base Tip Set of 4	\$19.78 set



Stainless Steel

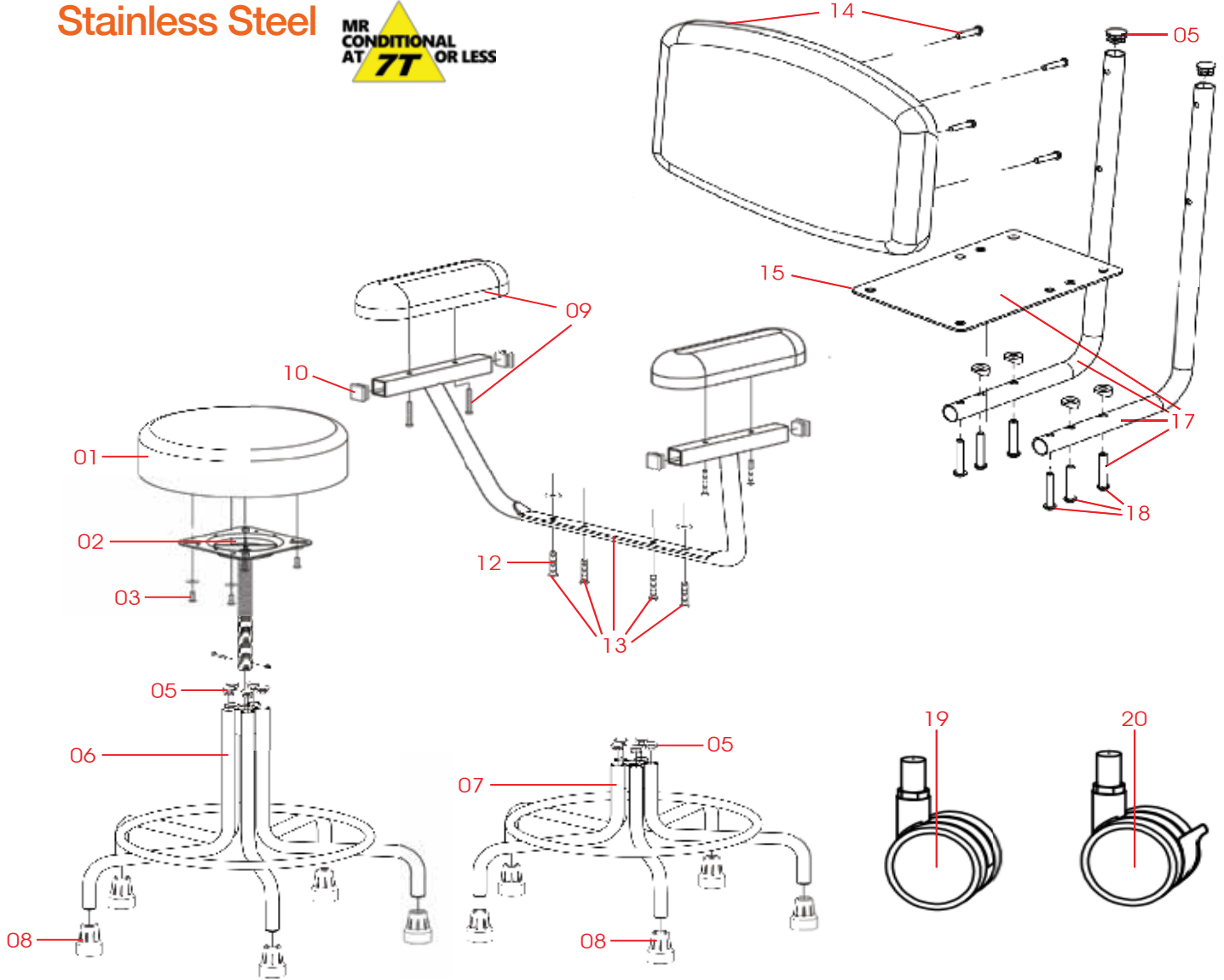


Fig	Model	Description	Price
1	CH-8903	Seat, Burgandy w/Attaching Hardware	\$156.21 ea.
	CH-8917	Seat, Green w/Attaching Hardware	\$156.21 ea.
2	CH-8927	Height Adjust Threaded Stem w/Seat Plate	\$121.46 ea.
3	CH-8928	Attaching Hardware Set for Seat	\$37.07 set
5	CH-8929	Round Plastic Plug, Black	\$5.93 ea.
6	CH-8087	Base Assembly, 21" to 27" Seat Height, w/ Rubber Tips	\$394.00 ea.
7	CH-8086	Base Assembly, 15" to 21" Seat Height, w/ Rubber Tips	\$378.00 ea.
8	CH-8930	Rubber Tip	\$5.93 ea.
	CH-8909	Armrest, Burgandy, w/Attaching Hardware	\$36.92 ea.
9	CH-8919	Armrest, Green, w/Attaching Hardware	\$36.92 ea.

Fig	Model	Description	Price
10	CH-8931	Square Plastic Plug, Black	\$5.93 ea.
12	CH-8932	Attaching Hardware Set for Arm Bracket	\$44.29 set
13	CH-8905	Arm Bracket Only, w/Attaching Hardware	\$141.28 ea.
14	CH-8911	Back, Burgandy w/Attaching Hardware	\$109.25 ea.
	CH-8923	Back, Green w/Attaching Hardware	\$99.50 ea.
15	CH-8933	Stool Seat Support Plate, 8 Holes	\$72.62 ea.
17	CH-8904	Back Frame Only w/Attaching Hardware	\$129.62 ea.
18	CH-8934	Attaching Hardware Set for Back Frame	\$59.62 set
19	CH-1940	2" Non-Locking Twin Wheel Caster w/Threaded Stem	\$23.74 ea.
20	CH-1941	2" Locking Twin Wheel Caster w/Threaded Stem	\$26.50 ea.



Stool Seat Support Plate, 8 Holes

Model	Des.	Price
CH-8933		\$72.62 ea.



Round Plastic Plug, Black

Model	Des.	Price
CH-8929		\$5.93 ea.



Height Adj. Threaded Stem w/Seat Plate

Model	Des.	Price
CH-8927		\$121.46 ea.



**Base Assembly, 15"-21"
Seat Height w/Rubber Tips**

Model	Des.	Price
CH-8086		\$378.00 ea.



**Base Assembly, 21"-27"
Seat Height w/Rubber Tips**

Model	Des.	Price
CH-8087		\$394.00 ea.



**2" Locking Twin Wheel Caster
w/Threaded Stem**

Model	Des.	Price
CH-1941		\$26.50 ea.



**2" Twin Wheel Caster
w/Threaded Stem**

Model	Des.	Price
CH-1940		\$23.74 ea.



Rubber Tip

Model	Des.	Price
CH-8930		\$5.93 ea.



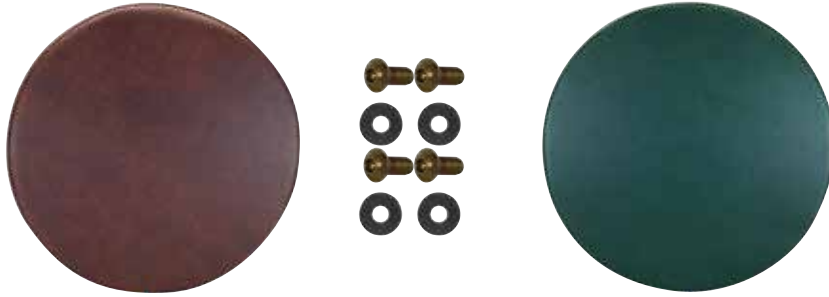
Back, w/ Attaching Hardware

Model	Description	Price
CH-8911	Burgandy	\$109.25 ea.
CH-8923	Green	\$99.50 ea.

Custom Stenciling Option

Customize your doctor stool. Add your facility name, department name or any information you would like.

Model	Description	Price
CH-8914	Custom Stencil	\$83.55 ea.



Seat, w/ Attaching Hardware

Model	Description	Price
CH-8903	Burgandy	\$156.21 ea.
CH-8917	Green	\$156.21 ea.



Armrest, w/ Attaching Hardware

Model	Description	Price
CH-8909	Burgandy	\$36.92 ea.
CH-8919	Green	\$36.92 ea.



Back Frame Set w/ Attaching Hardware

Model	Des.	Price
CH-8904		\$129.62 ea.

Attaching Hardware Only for Back Frame

Model	Des.	Price
CH-8934		\$59.62 set

Arm Bracket Only, w/ Attching Hardware

Model	Des.	Price
CH-8905		\$141.28 ea.

Attaching Hardware Only for Arm Bracket

Model	Des.	Price
CH-8932		\$44.29 set



Square Plastic Plug, Black

Model	Des.	Price
CH-8931		\$5.93 ea.

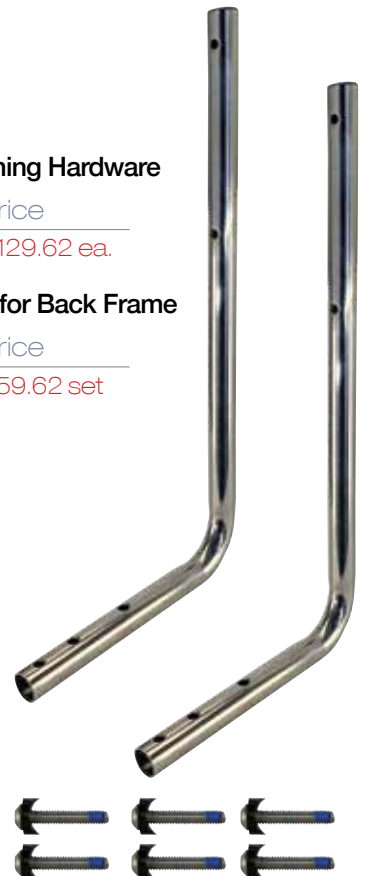
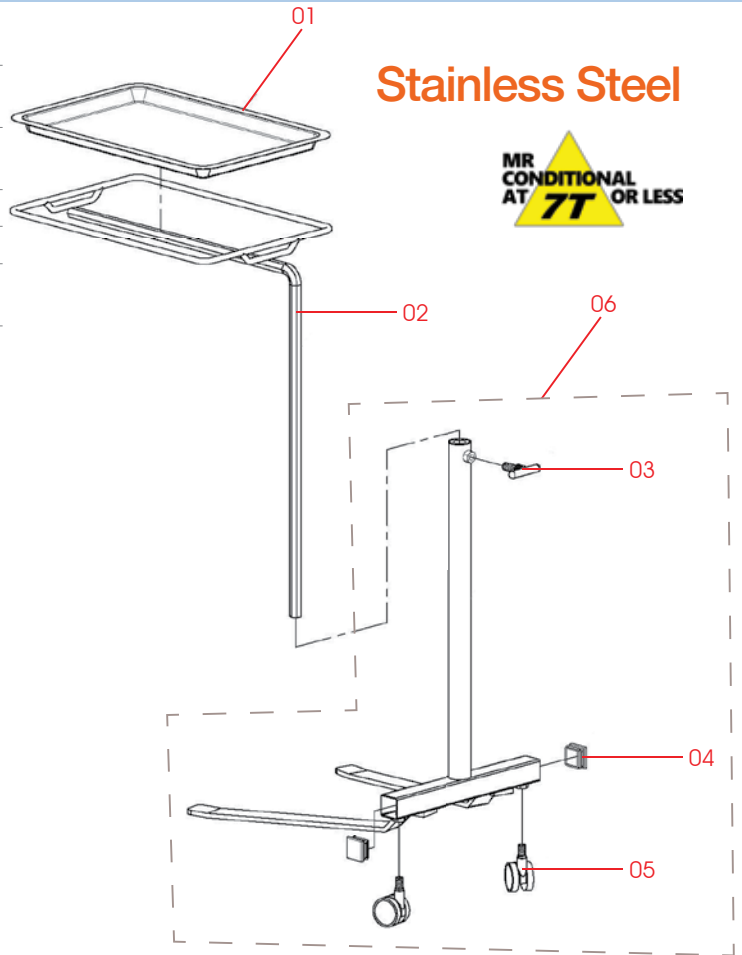


Fig	Model	Description	Price
01	TA-3000	Stainless Steel Tray 13" x 19"	\$168.27 ea.
	TA-3001	Stainless Steel Tray 16" x 21"	\$158.43 ea.
02	TA-3003	Upper Assembly Bracket for 13" x 19" Tray	\$327.00 ea.
	TA-3004	Upper Assembly Bracket for 16" x 21" Tray	\$327.00 ea.
03	TA-3002	Adjustment Knob	\$49.74 ea.
04	TA-3007	Square Plastic Plug, Black	\$5.93 ea.
05	CH-1940	2" Non-Locking Twin Wheel Caster	\$23.74 ea.
	CH-1941	2" Locking Twin Wheel Caster	\$26.50 ea.
06	TA-3005	Lower Base Assembly w/2" Non-Locking Casters	\$633.00 ea.



Upper Assembly Bracket

Model	Des.	Description	Price
TA-3003		13" x 19" Tray	\$327.00 ea.
TA-3004		16" x 21" Tray	\$327.00 ea.



Stainless Steel Tray

Model	Des.	Description	Price
TA-3000		13" x 19" Tray	\$168.27 ea.
TA-3001		16" x 21" Tray	\$158.43 ea.



Square Plastic Plug, Black

Model	Des.	Price
TA-3007		\$5.93 ea.



2" Non-Locking Twin Wheel Caster w/Threaded Stem

Model	Des.	Price
CH-1940		\$23.74 ea.



2" Locking Twin Wheel Caster w/ Threaded Stem

Model	Des.	Price
CH-1941		\$26.50 ea.



Adjustment Knob

Model	Des.	Price
TA-3002		\$49.74 ea.

Stainless Steel

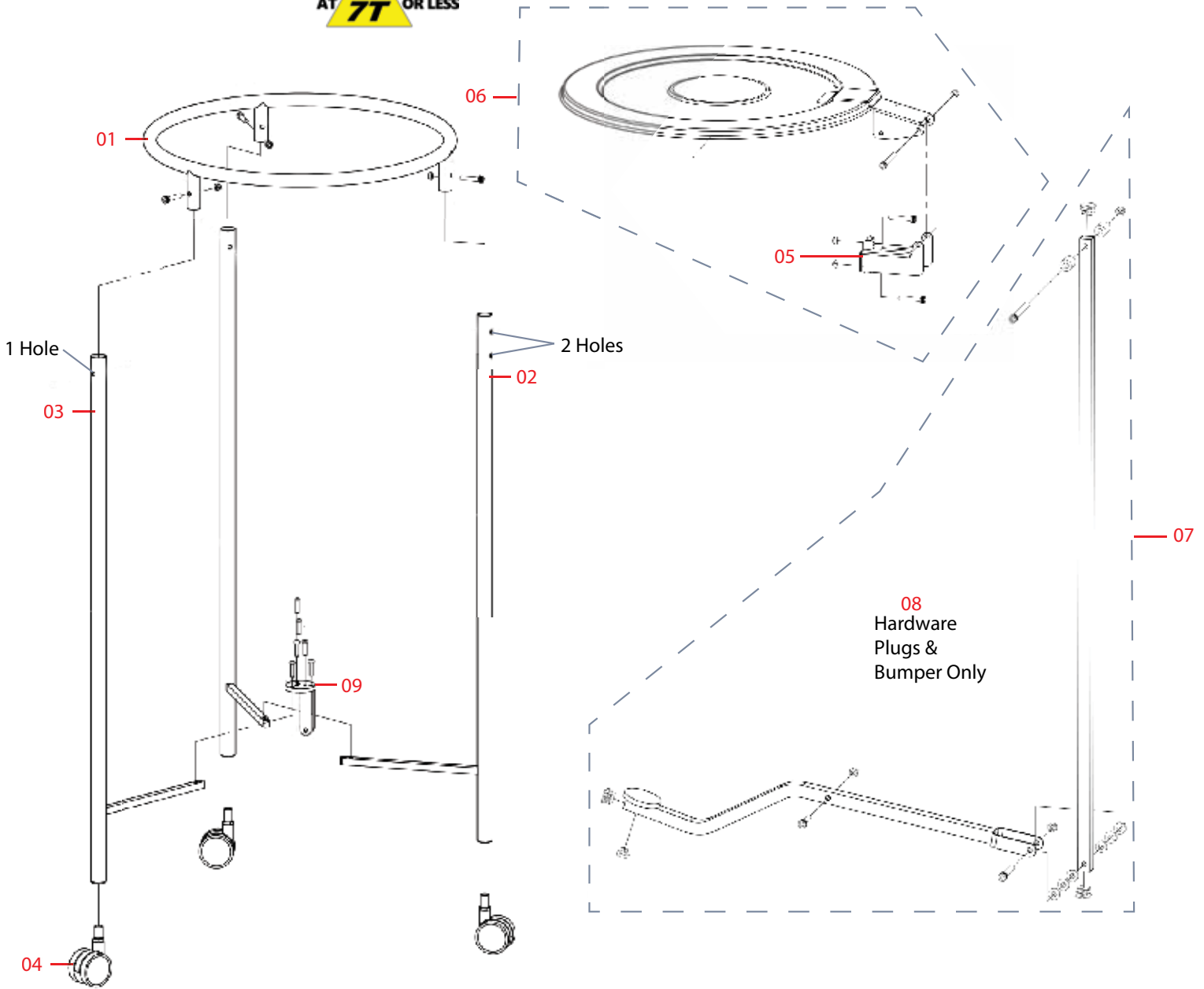


Fig	Model	Description	Price
01	HA-2052	Top Ring w/ Hardware	\$126.08 ea.
02	HA-2053	Leg with 2 Holes	\$66.61 ea.
03	HA-2054	Leg with 1 Hole	\$66.61 ea.
04	CH-1940	2" Non-Locking Twin Wheel Caster w/ Threaded stem	\$23.74 ea.
	CH-1941	2" Locking Twin Wheel Caster w/ Threaded stem	\$26.50 ea.
05	HA-2055	Lid Bracket only w/ Attaching Hardware	\$118.89 ea.

Fig	Model	Description	Price
06	HA-2050	Hamper Lid and bracket w/Attaching Hardware	\$389.00 ea.
07	HA-2051	Foot Pedal Assembly w/Attaching Hardware	\$230.00 ea.
08	HA-2056	Attaching Hardware Set for Foot Pedal Assembly	\$77.67 set
09	HA-2057	Lower Leg Support Bracket w/Attaching Hardware	\$118.89 ea.
10	HA-2003	Replacement Hamper Bag	\$61.53 ea.



Hamper Lid and Bracket w/ Attaching Hardware

Model	Des.	Price
HA-2050		\$389.00 ea.



Top Ring with Hardware

Model	Des.	Price
HA-2052		\$126.08 ea.



Lid Bracket only with Attaching Hardware

Model	Des.	Price
HA-2055		\$118.89 ea.



Lower Leg Support Bracket w/ Attaching Hardware

Model	Des.	Price
HA-2057		\$118.89 ea.

Leg w/ 1 Hole

Model	Des.	Price
HA-2054		\$66.61 ea.

Leg w/ 2 Holes

Model	Des.	Price
HA-2053		\$66.61 ea.



2" Locking Twin Wheel Caster w/ Threaded Stem

Model	Des.	Price
CH-1941		\$26.50 ea.



2" Non-Locking Twin Wheel Caster w/ Threaded Stem

Model	Des.	Price
CH-1940		\$23.74 ea.



Attaching Hardware Set for Foot Pedal Assembly

Model	Des.	Price
HA-2056		\$77.67 ea.

Foot Pedal Assembly w/Attaching Hardware

Model	Des.	Price
HA-2051		\$230.00 ea.



Stainless Steel

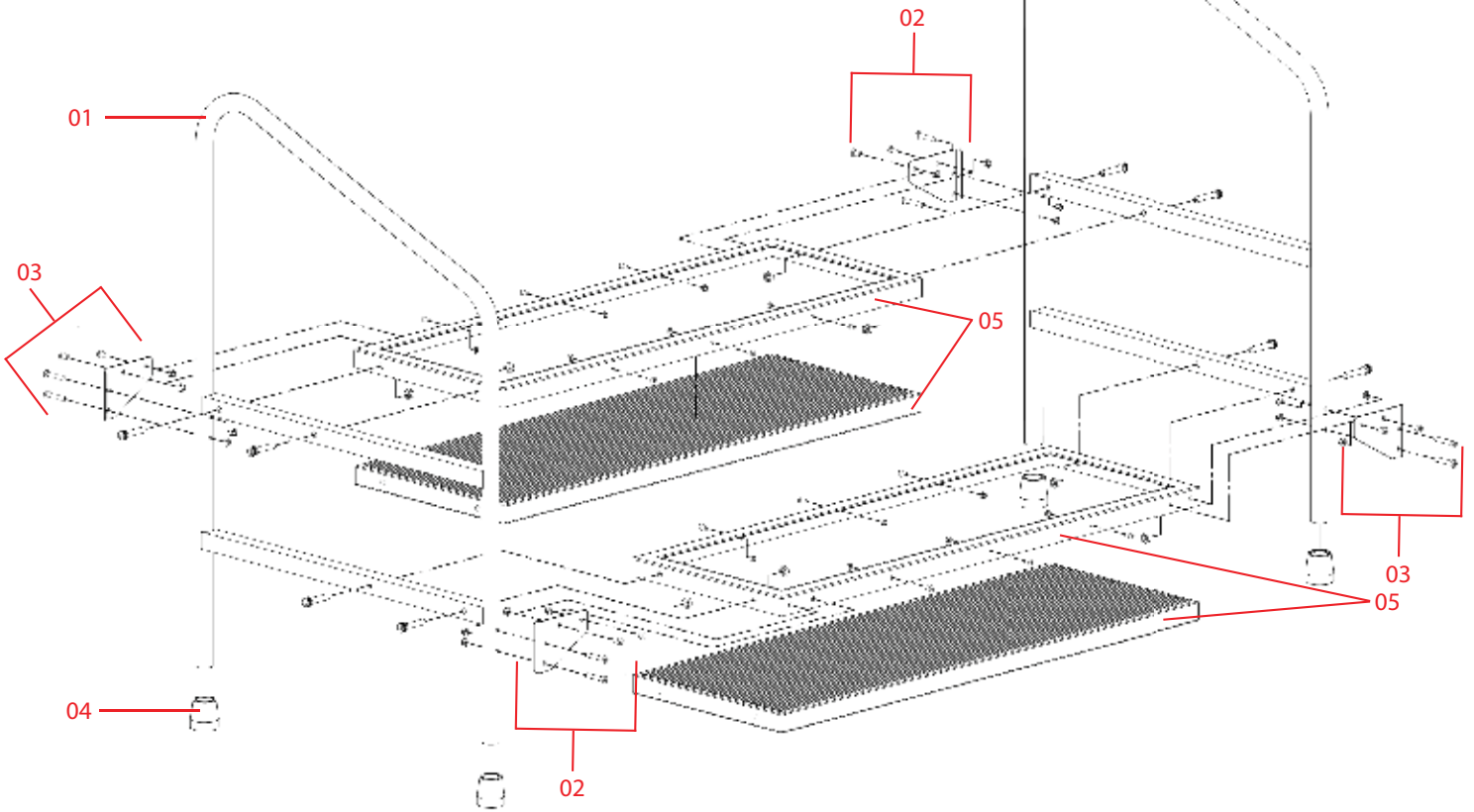
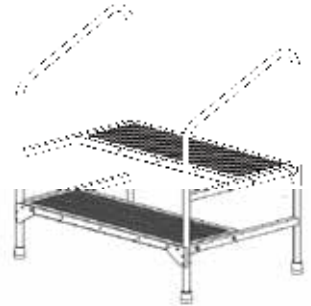
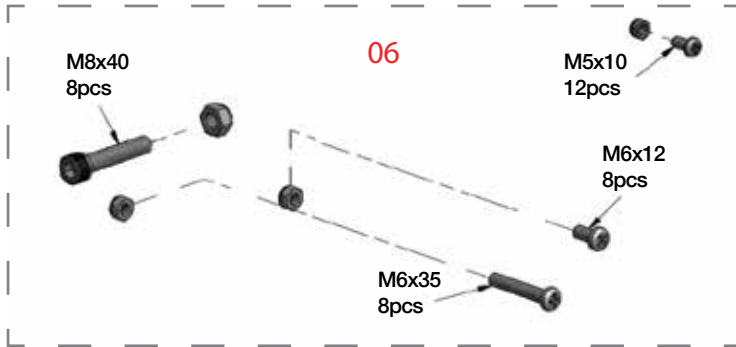
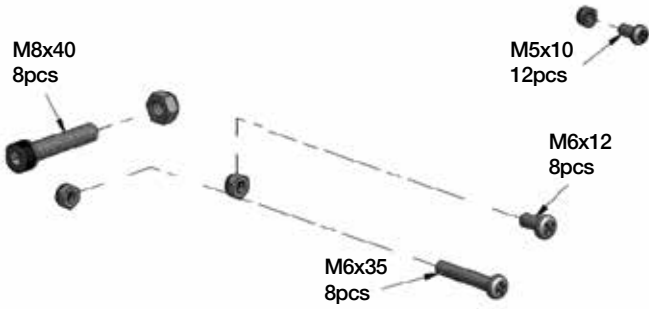


Fig	Model	Description	Price
1	SS-9005	Handrail, Universal right or left	\$215.00 ea.
2	SS-9011-R	Brace w/Attaching Hardware, Right	\$68.39 ea.
3	SS-9011-L	Brace w/Attaching Hardware, Left	\$68.39 ea.
4	SS-9007	Rubber Base Tip	\$5.93 ea.
	SS-9003	Rubber Base Tip, Set of 4	\$19.78 set
5	SS-9006	Step with Matting and Trim	\$410.00 ea.
6	SS-9009	Replacment Hardware Set	\$103.84 set



Replacement Hardware Set

Model	Des.	Price
SS-9009		\$103.84 set



Rubber Base Tip

Model	Des.	Description	Price
SS-9007		Rubber Base Tip 1 ea	\$5.93 ea.
SS-9003		Rubber Base Tip Set of 4	\$19.78 set



Step with Matting and Trim

Model	Des.	Price
SS-9006		\$410.00 ea.



Brace w/Attaching Hardware

Model	Des.	Side	Price
SS-9011-R		Right Side	\$68.39 ea.
SS-9011-L		Left Side	\$68.39 ea.



Handrail, Universal Right or Left

Model	Des.	Price
SS-9005		\$215.00 ea.



Aluminum

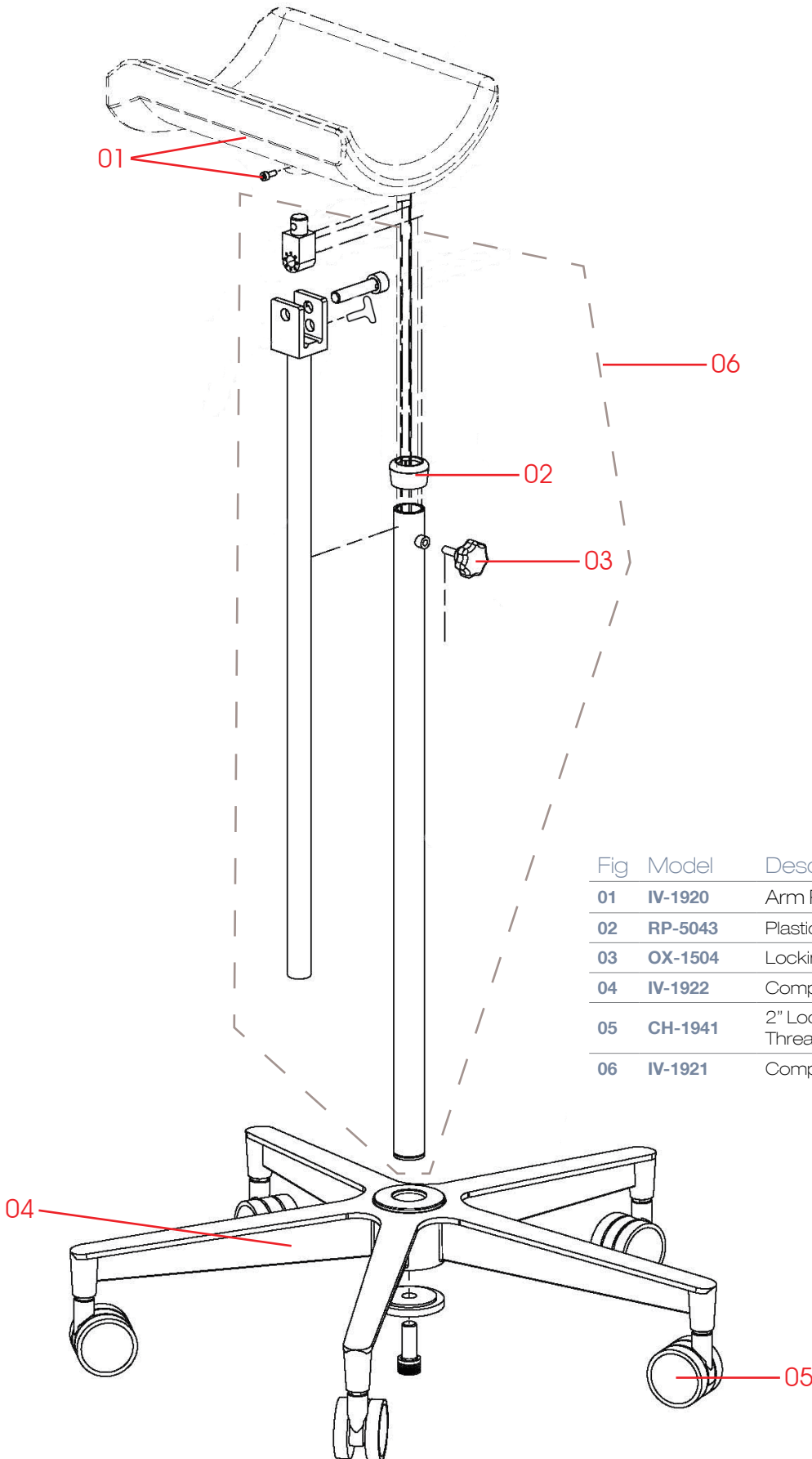


Fig	Model	Description	Price
01	IV-1920	Arm Pad	\$124.38 ea.
02	RP-5043	Plastic Collar, Black	\$5.93 ea.
03	OX-1504	Locking Knob	\$9.27 ea.
04	IV-1922	Complete Base w/Locking Casters	\$237.00 ea.
05	CH-1941	2" Locking Twin Wheel Caster w/ Threaded stem	\$26.50 ea.
06	IV-1921	Complete Adjustment Pole	\$387.00 ea.



Arm Pad

Model	Des.	Price
IV-1920		\$124.38 ea.



Locking Knob

Model	Des.	Price
OX-1504		\$9.27 ea.



Plastic Collar, Black

Model	Des.	Price
RP-5043		\$5.93 ea.



2" Locking Twin Wheel Caster w/ Threaded Stem

Model	Des.	Price
CH-1941		\$26.50 ea.



Complete Adjustment Pole

Model	Des.	Price
IV-1921		\$387.00 ea.



Complete Base w/Locking Casters

Model	Des.	Price
IV-1922		\$237.00 ea.

Stainless Steel

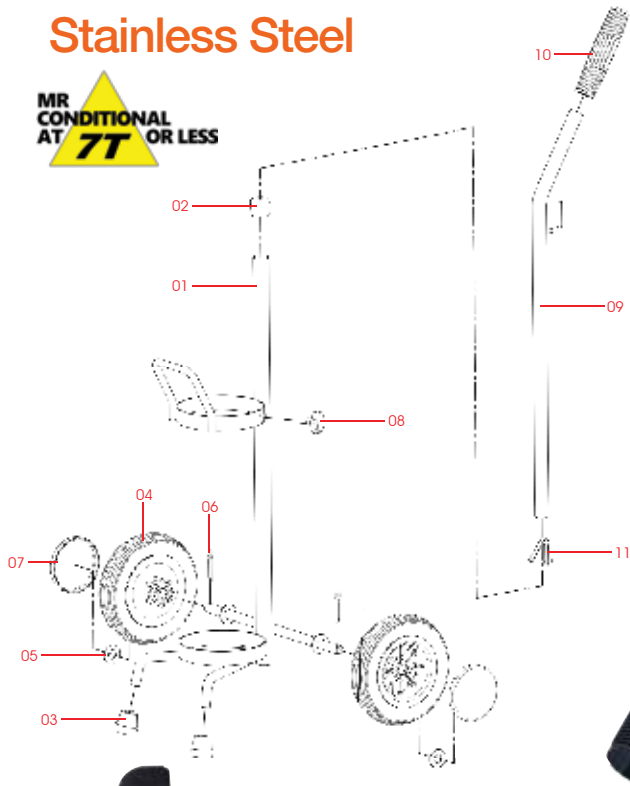


Fig	Model	Description	Price
01	OX-1501	Cart Base Assembly	\$174.24 ea.
02	OX-1509	Plastic Collar,Black	\$5.93 ea.
03	OX-1502	Rubber Tip	\$5.93 ea.
04	OX-1505	Wheel	\$39.88 ea.
05,06	OX-1506	Cotterpin and washer	\$10.67 ea.
07	OX-1503	Hub Cap, Plastic	\$5.26 ea.
08	OX-1504	Locking Knob	\$9.27 ea.
09	OX-1500	Cart Handle	\$57.01 ea.
10	OX-1508	Vinyl Hand Grip, Black	\$6.76 ea.
11	OX-1507	Push Button	\$11.17 ea.



Tension Knob

Model	Des.	Price
OX-1504		\$9.27 ea.



Plastic Collar Black

Model	Des.	Price
OX-1509		\$5.93 ea.



Rubber Tip

Model	Des.	Price
OX-1502		\$5.93 ea.

Vinyl Hand Grip, Black

Model	Des.	Price
OX-1508		\$6.76 ea.



Hub Cap, Plastic

Model	Des.	Price
OX-1503		\$5.26 ea.



Cotter Pin and Washer

Model	Des.	Price
OX-1506		\$10.67 ea.



Wheel

Model	Des.	Price
OX-1505		\$39.88 ea.

Cart Handle

Model	Des.	Price
OX-1500		\$57.01 ea.



Push button pin

Model	Des.	Price
OX-1507		\$11.17 ea.



Invisilube Heavy Duty Clear Aerosol Grease

Invisible is an aerosol lubricant that's perfect for use on door hinges, exercise equipment, wheelchairs, and any other moving components on your equipment.

Model	Des.	Description	Price
GR-2000		Aerosol Grease	\$78.86 ea.



Titanium Phillips 18 Piece T-5 Gyroscan Tool Kit

Includes:

- Hex Key Wrenches: 1.5mm, 3mm, 4mm & 5mm
- Open End Wrenches: 5x5.5mm, 6x7mm, 8x9mm,
- Combination Wrenches: 10mm, 13mm, 17mm & 19mm
- Flatside Screwdrivers: 3/32 x 3", 3/16" x 6" & 1/4" x 5"

Also: Needle Nose Pliers, Folding Ruler, Tweezers and a Case

Model	Des.	Description	Price
TL-2118		18 Piece Phillips Tool Kit	\$2,514.00 set



These products comply with the essential requirements of the relevant European health, safety and environmental protection legislation.



Titanium Siemens 32 Piece Standard Tool Kit

Includes:

- Hex Key Wrenches: 1/16", 3/16", 2mm, 2.5mm, 3mm, 4mm, 5mm, 6mm, 8mm & 10mm
- Open End Wrenches: 6x7mm, 8x9mm, 9x11mm, 10x12mm, 13x15mm, 14x16mm, 17x19mm, 18x20mm, 21x22mm,

- 24x27mm & 30x32mm
- Flatside Screwdrivers: 3/32" x 3", 1/8" x 6", 3/16" x 6" & 5/16" x 6"
- Phillips Screwdrivers: #1 x 3", #2 x 6" & #3 x 6"

Also: Needle Nose Pliers, Side Cutter, Tweezers and a Case

Model	Des.	Description	Price
TL-2243		32 Piece Siemens Tool Kit	\$4,815.00 set



Titanium Phillips Screwdriver Set

Set includes one each of the following:
3" blade w/ #0 tip, 3" blade w/ #1 tip, 6" blade w/ #2 tip, 6" blade w/ #3 tip, 1 1/2" blade w/ #2 tip

Model	Des.	Description	Price
TL-2237		5 Piece Phillips Set	\$438.00 set



These products comply with the essential requirements of the relevant European health, safety and environmental protection legislation.



Titanium Standard Screwdriver Set

Set includes one each of the following:
3/32" w/ 6" blade, 1/8" w/ 6" blade, 3/16" w/ 6" blade, 1/4" w/ 8" blade.

Model	Des.	Description	Price
TL-2236		4 Piece Standard Set	\$263.00 set



6 Piece Set

Screw Driver - 5/16" Tip, 6 1/2" Combination Pliers, 8" Adjustable End Wrench, 9" Crate Opener, #2 Phillips Screwdriver, #10 Groove Joint Pliers

Model	Des.	Description	Price
TL-1008		6 Piece Set	\$574.00 set



Adjustable Pipe Wrench

Aluminum, 3T Safe

Model	Des.	Description	Price
TL-1044		Fits Pipe up to 1"	\$367.00 ea.
TL-1045		Fits Pipe up to 1 1/2"	\$448.00 ea.
TL-1046		Fits Pipe up to 2"	\$442.00 ea.
TL-1047		Fits Pipe up to 2 1/2"	\$539.00 ea.
TL-1048		Fits Pipe up to 3 1/2"	\$844.00 ea.
TL-1049		Fits Pipe up to 5"	\$1,621.00 ea.



10 Piece Allen Wrench Set

Set includes one each of the following:
1/16", 5/64", 3/32", 5/32", 7/32", 5/16", 1/8", 3/16", 1/4", 3/8"

Model	Des.	Description	Price
TL-1013		10 Piece Allen Wrench Set	\$209.00 set



7 Piece Combination Wrench Set

Set includes one each of the following:
3/8", 7/16", 1/2", 9/16", 5/8", 3/4", 7/8"

Model	Des.	Description	Price
TL-1012		7 Piece Combination Set	\$673.00 set

Allen Wrench Sets

Model	Des.	Description	Price
TL-1722		5 Piece Standard Set, Includes: 9/16", 5/8", 11/16", 3/4", 7/8"	\$672.00 set
TL-1721		13 Piece Standard Set, Includes: 1/16", 5/64", 3/32", 1/8", 5/32", 3/16", 7/32", 1/4", 5/16", 3/8", 7/16", 1/2", 9/16"	\$377.00 set
TL-1746		4 Piece Metric Set, Includes: 12 mm, 14 mm, 17 mm, 19 mm	\$391.00 set
TL-1745		9 Piece Metric Set, Includes: 2 mm, 3 mm, 4 mm, 5 mm, 6 mm, 8 mm, 10 mm, 12 mm, 14 mm	\$282.00 set

Titanium Combination Wrench Sets



Metric

Set includes one each of the following:
10 mm, 13 mm, 14 mm, 15 mm, 17 mm, 19 mm.

S.A.E.

Set includes one each of the following:
3/8", 7/16", 1/2", 9/16", 5/8", 11/16", 3/4"

Individual pieces and other sizes available upon request. Minimum purchase applies. Please call for pricing.

Model	Des.	Description	Price
TL-2231		6 Piece, Metric Set	\$1,270.00 set
TL-2230		7 Piece, S.A.E Set	\$1,147.00 set

Titanium Wrench Sets



Metric

Set includes one each of the following:
6 x 7 mm, 8 x 9 mm, 10 x 12 mm, 11 x 13 mm, 13 x 15 mm, 14 x 16 mm, 17 x 19 mm.

S.A.E.

Set includes one each of the following:
7/32" x 1/4", 3/8" x 7/16", 1/2" x 9/16", 1/2" x 11/16"

Individual pieces and other sizes available upon request. Minimum purchase applies. Please call for pricing.

Model	Des.	Description	Price
TL-2232		7 Piece, Metric Set	\$1,071.00 set
TL-2233		4 Piece, S.A.E Set	\$543.00 set

Titanium Hex Key Sets



Metric

Set includes one each of the following:
1.5 mm, 2 mm, 2.5 mm, 3 mm, 4 mm, 5 mm, 6 mm, 8 mm, 10 mm.

S.A.E.

Set includes one each of the following:
1/16", 5/64", 3/32", 7/64", 1/8", 9/64", 5/32", 3/16", 7/32", 1/4"

Individual pieces and other sizes available upon request. Minimum purchase applies. Please call for pricing.

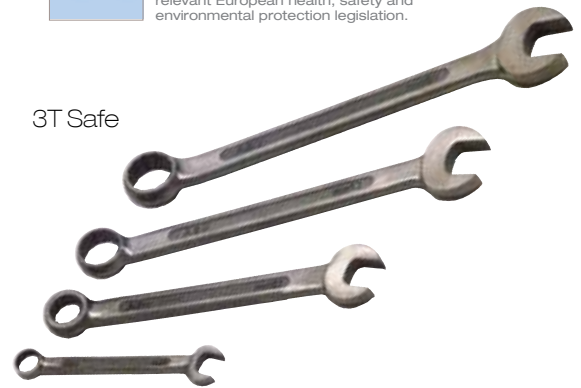
Model	Des.	Description	Price
TL-2234		9 Piece, Metric Set	\$581.00 set
TL-2235		10 Piece, S.A.E Set	\$522.00 set

Individual Titanium Pliers, Cutter, Wrench & Wire Stripper

Model	Des.	Description	Price
TL-2122		Needle nose Pliers	\$457.00 ea.
TL-2167		Side Cutters	\$477.00 ea.
TL-2052		Adjustable Wrench	\$538.00 ea.
TL-2168		Wire Strippers	\$450.00 ea.



The products on this page comply with the essential requirements of the relevant European health, safety and environmental protection legislation.



3T Safe



3T Safe



TL-2122

TL-2167

TL-2052

TL-2168



Waterproof Case

Features a gasketed, water-tight and dust-tight, submersible design that is resistant to UV, solvents, corrosion, fungus and impact damage.

Made Exclusively For MRlequip.com



TL-1980



TL-1980



TL-1981



TL-1981

Non Magnetic Non Sparking Toolkits

Our Non-Magnetic MRI toolkits are tested and meet the requirements by the US government for Non-Magnetic Hand tools. The MRI toolkits are for use in 3T magnets and below, so they are deemed MR Conditional. This enables the non-magnetic tools to be used near sensitive equipment. Waterproof Case 5" Deep is injection molded and utilizes ultra high-strength polypropylene copolymer resin. Features a gasketed, water-tight and dust-tight, submersible design that is resistant to UV, solvents, corrosion, fungus and impact damage. It also features a molded-in hinge, patent pending trigger release latch system, a comfortable snap-down rubber over-molded cushion grip handle, and an automatic ambient pressure equalization valve.

Model	Des.	Description	Price
TL-1980		23 Piece, Non Magnetic Non Sparking Corrosion Resistant Toolkit - SAE / Metric	\$2,609.00 kit
TL-1981		28 Piece, Non Magnetic Non Sparking Corrosion Resistant Toolkit - Metric	\$2,946.00 kit

Office Hours:

Monday thru Friday 7:00 am to 4:30 pm (CST)

Terms:

Our terms are NET 45 DAYS on all new and current accounts. C.O.D. if not current. Payments become due 45 days after the invoice date, if the order is complete or not. Shipments will be held if an account contains invoices over 45 days past due. The account will go on permanent C.O.D. when there is a history of past dues. Third party collection fees and legal fees must be paid in full before an account can be reopened.

Freight:

Freight will be prepaid and added to your invoice. Freight charges are part of your invoice and are due accordingly. Freight charges are not discountable.

Proof Of Delivery:

We will provide proof of delivery within 30 days of shipment upon request.

Claims For Damage Or Shortage:

Must be made within 48 hours of receiving. Shipping containers must be kept if shipment is damaged or short.

Shipments Arriving Via LTL Truck (Not UPS Or Fedex Ground):

The packages must be opened and inspected at time of delivery for any concealed damage.

Prices:

All prices are subject to change without notice. Prices reflect single unit cost, except where noted.

Returns:

No item will be accepted for return after 30 days from date of purchase. All returns must be labeled with a return authorization number which can be obtained from our customer service department. Claims for shortage, breakage or any other reason must be made within 48 hours of receipt. Shipping containers must be kept if shipment is damaged or short. All returns are subject to a minimum 15% up to a 35% restocking fee. The customer is responsible for all freight charges incurred.

Custom Products are NOT Returnable.

Cancellation Charges:

Orders may be canceled without charge providing your request is received prior to shipment except custom orders. If the merchandise has been shipped there will be up to a 35% restocking fee, plus all freight charges incurred. Please get cancellation confirmation to avoid these charges.

Other Order Information:

We reserve the right to split shipments. We sell on first come first serve basis. Where available, substitutions will be shipped if the product ordered is not available or discontinued.

Purchase Orders Accepted Via:

E-mail customerservice@mriequip.com

Phone 866-529-3526

Fax 888-433-5174

**Hospitals:**

No credit application required

Signed company policy agreement form

Standalone Clinics and Physician Owned Offices:

Credit application required

Signed company policy agreement form

Resale Distributors:

Credit application required

Signed company policy agreement form

Provide resale certificate

DUNS # 140786828

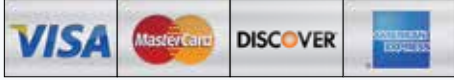
Cage: 3M5A0

© 2022 MRlequip.com

6248 Bittersweet Lane
Nisswa, MN 56468

Toll Free 866-529-3526
Fax Free 888-433-5174

Purchase Orders Accepted



© 2023 MRlequip.com

Attn: Director of Radiology or MRI Technologist



Stainless Steel
Stretcher and Wheelchair



YOUR SAFETY IS OUR BUSINESS

At MRlequip.com, our goal is to offer the most extensive selection of MRI products and accessories in the industry.



MRI Non-Magnetic Parts & Accessories Catalog

More Products Coming Soon



Aluminum
Stretcher and Wheelchair



SCAN QR CODE TO
VISIT MRlequip.com