

Now at your fingertips is a diverse line of non-ferrous and PVC products for your MRI environment

NF

Coming Soon



Scan QR Code

MRlequip.com™ is a easy scan away.
Just point and scan to visit our website.



Visit www.MRlequip.com for many more products and options.

Non-Ferromagnetic Equipment

MRlequip.com™ is proud to offer the largest array of Non Ferromagnetic products available on the market today.



All equipment in this catalog works with FerrAlert Detection Systems



MRI Step Stools



MRI Ferromagnetic Scanner



MRI Wheelchair



MRI Stretcher

Who we are?

Now, at your fingertips, is a diverse line of Non-Ferrous and PVC products for your MRI environment. MRlequip.com was established to provide the highest quality MRI compatible equipment with price tags significantly lower than the current marketplace. In the past, it was a priority to clear the room of all ferrous materials that pose an immediate risk. Now, a majority of those items can be replaced, in extent saving time and creating a friendlier environment for both the patients and the providers. Beyond the standard items, such as wheelchairs, I.V. poles and stools, a whole new world of products has opened up. Ranging from sound systems to furniture, these products increase patient comfort while decreasing concerns for injury and liability. At MRlequip.com, we are constantly researching new products and welcome any suggestions you might have. If you can't locate what you require, let us know. Our design teams are ready for their next challenge.

What can we do for you?

Upon initial contact we will customize a package based upon the procedures performed as well as the strength, weight capacity and brand of MR system(s) used. We will take into account specific product requests and determine the most cost effective solution to our customers needs. We present a quotation on a full custom package including freight, rather than a pre-packaged kit that is incomplete and contains items that may go unused. We specialize in custom non-ferrous products that may require additional time for production. We will provide the necessary lead time and discuss a final purchase order date that will allow for delivery before a grand opening or re-opening. Once a purchase order has been received, upon the customers request; we may hold all products to be delivered at one time or have it delivered as available. Products in stock at the time of order will be immediately tagged for that order and held until the release date. This eliminates the possibility of a stock item at order date becoming out of stock on the release date. We supply MSDS sheets on pertinent products for our customer's records. Two days before release date, we will contact our customer to verify they're ready for the delivery. If there is a delay in the facilities opening, we will hold the product until needed at no additional charge.

Above all else, we will take that extra step in providing our customers with knowledgeable advice, low prices, on-time delivery and excellent customer service. We recognize that each of these attributes are vital to a smooth transaction and a satisfied customer.

Safety is our Business!

Our dedication to safety begins at 7:00 AM every day of the work week - it is our livelihood. All products in our warehouse are checked on entry and then re-checked on exit. Products drop shipped from our manufacturers directly to your door are brought in randomly and re-tested for safety verification. We continually work with all manufacturers to ensure safety and proper designation.

For more information on the ASTM Standard, visit www.ASTM.org and search for **2503-13**.

For more helpful information pertaining to MR Safety, you can visit

www.MRI-Planning.com

www.MRISafety.com

www.radiology.upmc.edu/MRSafety

The highly anticipated Standard Practice for Marking Medical Devices for Safety in the Magnetic Resonance Environment by American Society for Testing and Materials (ASTM) has arrived.

As recommended by ASTM Intl; the intent of this practice is to provide needed information about the safety of items in and near MR scanners using a compact and easily recognized set of symbols and terms. The terms MR safe and MR compatible as first defined in 1997 in the FDA draft guidance document, "A Primer on Medical Device Interactions with Magnetic Resonance Imaging Systems," have been used to describe the safety of devices in and near MR systems. However, there has been a great deal of confusion surrounding this terminology. An incorrect assumption is often made, and users often incorrectly assume that items labeled MR safe or MR compatible are safe or compatible for any MR environment. MR environments vary in terms of magnetic field strength and RF conditions. This new system eliminates much of that confusion.

MRI Index

Section	Page	Section	Page	Section	Page
Belts	5	Patient Boards	10	Stretchers	3
Carts	9	Positioners	8	Trays	10
Ferro Detection Systems	2	Sand Bags	7	Walkers	5
Hampers	6	Stands-Tables	9	Wearables	8
I.V Pole	5-6	Step Stools	5	Wheelchairs	4



FDA Approved

(FDA) is responsible for regulating medical devices in the United States. The FDA has a rigorous process for approving medical equipment before it can be marketed and sold to the public.



FERRAlert HALO II Plus

Ferromagnetic Detection System - MRI Entry System

FerrAlert™ HALO II - Ferromagnetic Detector complies with ACR and JCAHO standards to protect the magnet room against moderate to large size ferromagnetic projectiles. This product significantly helps to protect the investment in the magnet and to avoid a catastrophic accident.

OPERATION:

The Green LED HALO array illuminated around the MRI entrance indicates that the detector is scanning and there are no ferromagnetic threats detected. A Yellow beacon light indicates that a threat is approaching the portal.

The Red LED HALO array flashes the entire portal, indicating a major threat such as a ventilator or oxygen cylinder has approached the portal.

SPECIFICATIONS:

- Dimensions: Height 83" (211cm), Depth 2.25" (5.7cm)
- Adjustable Width: 42" (107cm) to 52" (132cm) Inside; 47" (119cm) to 57" (145cm) Outside
- Complies with IEC 60101-1:2005 Medical Device Specifications Requirements
- Medical Power Supply: 100 to 240 VAC, 47 to 63 HZ, 42 Watts

Model	Description	Price
MG-2510	HALO II Plus Entry System	Call for Pricing

The Ferromagnetic Incident Log Manager (F.I.L.M.)

- Facilitates the Joint Commission compliance for incident logging
- Logs potential and actual ferromagnetic incidents
- Provides a visual record of the events leading up to and after the incident
- All records of incidents are stored and date and time stamped
- HIPAA compliant

Visit www.MRlequip.com for more specifications, or call for complete brochure.

FerrAlert Solo Detector

Ferromagnetic screener for patients and personnel - [The latest advancement in Pre-Screening Technology for MRI Safety](#)

- Accurately and Quickly Locates Ferrous Hazards Anywhere on the Body
- 12 Sensors for Uniform Sensitivity
- No-Touch Activation
- Consistent, Simple and Unambiguous Operation
- Highly Sensitive
- Used to Self-screen or for Supervised Screening
- Variety of Simple Installation Options

Model	Description	Price
MG-2507	Solo Detector	Call for Pricing



FerrAlert™ Ferromagnetic Detection Scanner

FerrAlert™ Ferromagnetic Detection Target Scanners™ do an excellent job of distinguishing ferromagnetic from non-ferromagnetic materials and is very useful if you are informed on the presence of a potentially ferromagnetic object.

Model	Description	Price
MG-2517	FerrAlert™ Model 6000 Eagle	\$5,332.00 ea.



Dual Sensing Hand-Held Ferromagnetic Detector

Dual Sensing Hand-Held Ferromagnetic Detectors are portable hand-held patient screeners that allow, according to the operator settings, the detection of magnetic metal masses only or magnetic and non-magnetic metals at the same time.

Model	Description	Price
MG-6000	Dual Sensing Detector White	\$5,500.00 ea.
MG-6002	Dual Sensing Detector Green	\$7,700.00 ea.



Aluminum Non-Ferromagnetic Gurney



uspatentnumber
9,144,409 B1

Features:

- NEW!** Aluminum rigid construction
- Drop down side rails
- 5" total lock casters
- Full surround rubber bumper
- Adjustable headrest
- 3" pad included

All equipment in this catalog works with FerrAlert Detection Systems



Specify Color for all Pads



(10) Burgundy



(50) Green



(60) Dark Blue

Specifications:

Height without pad:	29½"
Height with Rails up:	40"
Height of Rails:	15"
Length:	77¼"
Rail Length:	39"
Width:	27"
Weight:	130 lbs.
Back Adj. Range:	0-75 Degrees
Number of Positions:	11
Weight Capacity:	500 lbs

Warranty:

- 1 Year on Moving Parts and Frame
- 90 Days on Soft Goods

Specifications:

Height:	30¼"
Height with Rails up:	42"
Height of Rails:	11¾"
Length:	76"
Rail Length:	61⅞"
Width:	28⅞"
Back Adj. Range:	0-71.2 Degrees
Storage Tray:	15½"D x 26"L x 17½"W
Positions:	10
Weight Capacity:	400 lbs

Warranty:

- 1 Year on Moving Parts and Frame
- 90 Days on Soft Goods

Model	Designation	Description	Price
ST-5000	⚠	Aluminum Gurney	\$5,467.00 ea.

Non-Ferromagnetic Pediatric Gurney



Model	Designation	Description	Price
ST-5300	⚠	Aluminum Gurney	\$5,817.00 ea.

Non-Ferromagnetic Stretcher Accessories



Side Rail Pads



Caster



Safety Straps



Oxygen Holder



I.V. Pole

Model	Des.	Description	Price
ST-5100	⚠	Aluminum IV Pole	\$249.00 ea.
ST-5101	⚠	Aluminum O2 Holder	\$248.00 ea.
ST-2353	⚠	MRI Non-Ferromagnetic Locking Stretcher Caster	\$279.00 ea.
ST-2008	⚠	MRI Safety Straps(set of 3)	\$137.92 set
ST-2012-10	⚠	Side Rail Pads, Burgundy	\$232.00 pr.
ST-2012-20	⚠	Side Rail Pads, Green	\$232.00 pr.
ST-2012-60	⚠	Side Rail Pads, Dark Blue	\$232.00 pr.

20-24" Wide Non-Ferromagnetic Aluminum Wheelchairs

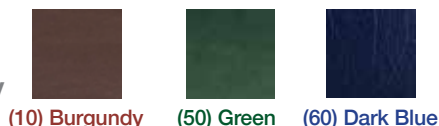
This Non-Ferromagnetic wheelchair consists of materials such as brass, titanium, aluminum and plastic. It has been tested and certified to pass through the pre-screen and pre-entry door systems. This is the first of its kind to have 24" wheels, which allows the patient to move independently.

Flip-up Desk Length Padded Arms

Swing-away Footrests

Color: **Burgundy**

Specify Color for all upholstery



Specifications:

Seat To Floor Height:	20"
Seat Width:	20"
Overall Width:	28"
Overall Depth:	36" w/footrest
Seat Depth:	16"
Overall Height:	36"
Back Height:	19"
Front Casters:	8" x 1" solid
Rear Wheel:	24" solid
Wheel Locks:	push to lock
Weight:	31 lbs w/footrest
Weight Capacity:	300 lbs



Warranty:

5 Years on Frame & Crossbraces
1 Year on Soft Goods & Moving Parts

Specifications:

Seat To Floor Height:	20"
Seat Width:	22"
Overall Width:	30"
Overall Depth:	43" w/footrest
Seat Depth:	18"
Overall Height:	37"
Back Height:	19"
Front Casters:	8" x 1" solid
Rear Wheel:	24" solid
Wheel Locks:	push to lock
Weight:	33 lbs w/footrest
Weight Capacity:	300 lbs

22" Wide



Back of upholstery



Specifications:

Seat To Floor Height:	20"
Seat Width:	24"
Overall Width:	32 1/2"
Overall Depth:	44" w/footrest
Seat Depth:	20"
Overall Height:	36"
Back Height:	19"
Front Casters:	8" x 1" solid
Rear Wheel:	24" solid
Wheel Locks:	push to lock
Weight:	43 1/2 lbs w/footrest
Weight Capacity:	500 lbs

24" Wide



This size is a fixed, non-folding wheelchair

Model	Designation	Description	Price
WC-2002-CL		20" Chair w/ Footrests	\$2,443.00 ea.
WC-2005-CL		22" Chair w/ Footrests	\$3,112.00 ea.
WC-2006-CL		24" Chair w/ Footrests	\$4,015.00 ea.



This product complies with the essential requirements of the relevant European health, safety and environmental protection legislation.



MRI Adult Non-Ferromagnetic Folding Walkers

18" Wide, Depth 17"
 250 lb weight capacity
 No Wheels Available



Warranty 3 years - excludes tips

Model	Designation	Description	Price
WA-1050		Adult - 32" to 36"	\$353.00 ea.
WA-1051		Junior - 28" to 32"	\$353.00 ea.

All equipment in this catalog works with FerrAlert Detection Systems



MRI Heavy Duty / Extra Wide Non-Ferromagnetic Folding Walker

24" Wide, Depth 21"
 500 lb weight capacity

Model	Designation	Description	Price
WA-1052		Extra Wide - 32" to 38½"	\$400.00 ea.

MRI Non-Ferromagnetic Step Stools

Base is 16" x 12" and 8 ½" off the floor
 With or Without 41" Handle
 Warranty 3 years - excludes tips



Model	Designation	Description	Price
SS-5000		MRI Step Stool, No Handle	\$341.00 ea.
SS-5001		MRI Step Stool with Handle	\$372.00 ea.



Non-Ferromagnetic Wheelchair Accessories

MRI Non-Ferromagnetic I.V. & Oxygen Holders

Model	Designation	Description	Price
WC-2100		Aluminum I.V. Pole	\$322.00 ea.
WC-2101		Alum. I.V. and O2 Holder	\$381.00 ea.
WC-2102		Alum. O2 Tank Holder	\$221.00 ea.



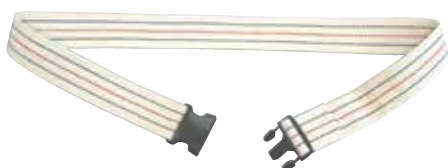
Stencil Company Name Or Other Information

Ship Weight: 5lbs
 Ship Dimensions: 4" x 12" x 19"



Model	Designation	Description	Price
WC-1110		Wheelchair Logo	\$212.00 ea.

Model	Designation	Description	Price
GB-1000		2" x 60" Transfer/Gait Belt	\$19.82 ea.





Non-Ferromagnetic Laundry Hampers

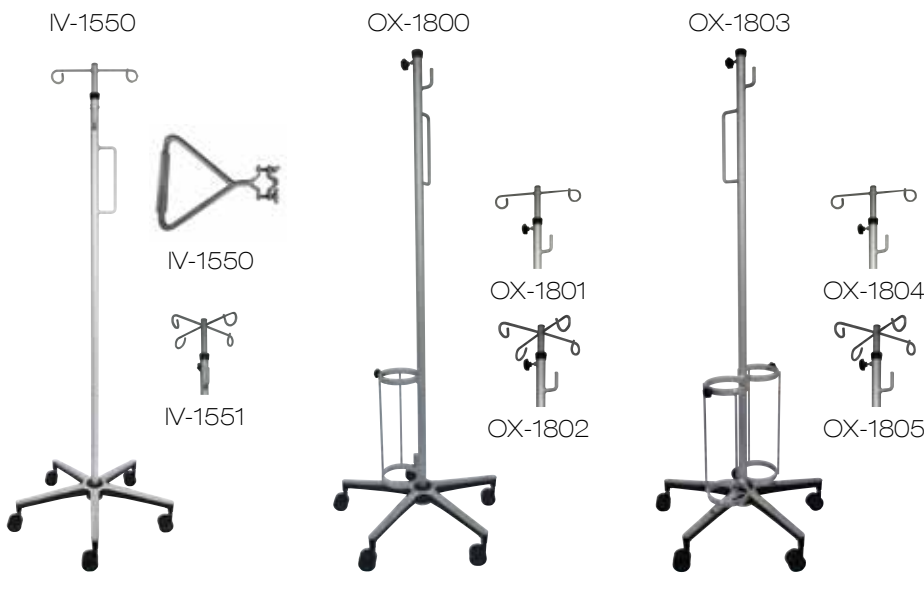
NEW AND EXCLUSIVE FROM MRIEQUIP.COM

Conceal and easily transport soiled linens and help support Infection Prevention. Solid Aluminum construction for bag rest, casters, and an optional foot pedal. It has been tested and certified to pass through the pre-screen and pre-entry door systems.

Hamper Bag Not Included.



Model	Designation	Description	Price
HA-2301		Hamper w/ Lid and Foot Pedal	\$861.00 ea.
HA-2503		Hamper Bag	\$75.00 ea.



MRI Non-Ferromagnetic IV Poles and Tank Holders

Aluminum Base with 5 Casters
Adjustable Height 56" to 105"



Model	Designation	Description	Price
IV-1550		MRI IV Pole on wheels. Two hook, Non-Ferromagnetic	\$450.00 ea.
IV-1551		MRI IV Pole on wheels. Four hook, Non-Ferromagnetic	\$464.00 ea.
OX-1800		Single Oxygen Tank Holder Non-Ferromagnetic	\$408.00 ea.
OX-1801		Single Oxygen Tank Holder with Two hook IV Pole Non-Ferromagnetic	\$436.00 ea.
OX-1802		Single Oxygen Tank Holder with Four Hook IV Pole Non-Ferromagnetic	\$450.00 ea.
OX-1803		Dual Oxygen Tank Holder on wheels Non-Ferromagnetic	\$436.00 ea.
OX-1804		Dual Oxygen Tank Holder with Two Hook IV Pole Non-Ferromagnetic	\$450.00 ea.
OX-1805		Dual Oxygen Tank Holder with Four Hook IV Pole Non-Ferromagnetic	\$478.00 ea.



All equipment in this catalog works with FerrAlert Detection Systems



Non-Ferromagnetic Sand Bag Positioners

The first Non-Ferromagnetic MRI Sand Bag Positioners to hit the market designed exclusively for MRlequip.com.



Model	Des.	Description	Price
SB-1003		3 lb. Sand Bag Positioner, 8" W x 8" L	\$48.59 ea.
SB-1005		5 lb. Sand Bag Positioner, 5.5" W x 15" L	\$52.41 ea.
SB-1007		7 lb. Sand Bag Positioner, 9" W x 12" W	\$56.79 ea.
SB-1010		10 lb. Sand Bag Positioner, 9" W x 14" L	\$60.21 ea.
SB-1012		12.5 lb. Sand Bag Positioner, 12" W x 12"	\$66.00 ea.
SB-1013		SET OF 5, 1 ea. of 3, 5, 7, 10, and 12.5 LB. Sand Bag Positioners	\$218.00 set.

Non-Ferromagnetic Black Sand Bag Positioners

Black outer bag is nylon reinforced vinyl, and dielectrically sealed to prevent leakage or dust. Inner bag is electrically sealed for added protection. Covers are nylon reinforced.



Fig	Model	Des.	Description	Price
A	FO-1200		3 lb. - 7" W x 10" L	\$48.59 ea.
B	FO-1201		7 lb. - 6" W x 18" L	\$56.79 ea.
C	FO-1203		12 lb. - 6" W x 17" W	\$66.00 ea.
D	FO-1204		12 lb. - 11" W x 11" L	\$66.00 ea.
Set	FO-1205		SET OF 4	\$237.38 set

Non-Ferromagnetic Colored Sand Bag Positioners

Colored outer bag is nylon reinforced vinyl, and dielectrically sealed to prevent leakage or dust. Inner bag is electrically sealed for added protection. Covers are nylon reinforced, color coded vinyl. Complete with convenient handle.



Fig	Model	Des.	Description	Price
A	FO-1105		3 lb, Yellow, 9½" x 4½"	\$48.59 ea.
B	FO-1106		5 lb, Orange, 12" x 5½"	\$52.41 ea.
C	FO-1107		7 lb, Red, 15½" x 6½"	\$56.79 ea.
D	FO-1108		10 lb, Blue, 17" x 6½"	\$60.21 ea.
Set	FO-1126		Set of 1 of each above	\$210.00 set

MRI Non-Magnetic Patient Comfort System

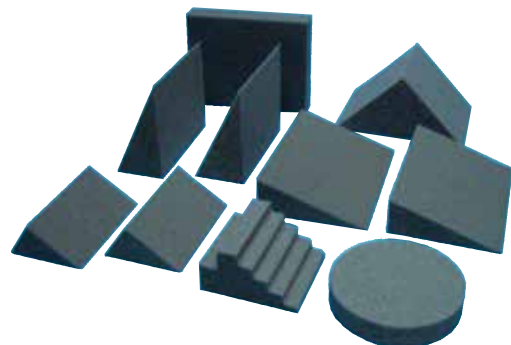
The Patient Comfort System was developed over a 2-year period in close cooperation with leading imaging centers to maximize patient comfort as well as conform to the specific requirements for compatibility and safety.



Model	Des	Description	Price
FO-5000		12 Piece Positioner Kit	\$2,078.00 set

MRI Non-Magnetic Foam Positioning X-Ray Kit

Foam Positioner - MRI Non-Magnetic Positioning Aids will help you situate patients for optimal images, while reducing artifacts related to patient movement. Making sure that your patient is comfortable and less likely to make even slight movements is important. Even slight movement during an MRI can render those images useless.



Model	Des	Description	Price
FO-1018		10 Piece Positioner Kit	\$154.84 set

MRI Compatible Surgical Face Mask Level 3 Rated

Surgical Face Masks are made of top-quality USA materials, the surgical mask's triple-layer construction ensures that the outer layer of our mask is protective while the inner layer stays smooth and comfortable.



Model	Designation	Description	Price
FS-3001-BX		50 per Box	\$14.21 box
FS-3001-CA		50 per Box 6 Boxes per Case	\$82.00 cs.

Non-Ferrous Aluminum Single Head Stethoscope

This stethoscope is non-ferrous for use in your MR environment. Professional Lightweight Aluminum Non-Ferrous Single Head Stethoscope. **Also includes additional diaphragm and two pairs of ear tips.**



Model	Des.	Description	Price
BP-1090		Non-Ferrous Aluminum Stethoscope	\$61.82 ea.

The Non-Headset

Designed for the tightest of head coils. It has two 1" foam ear muffs which can be positioned right up to the patients ear in the head coil, compressing down to 1/2". These headsets are not rated at this time.



Model	Des.	Description	Price
RA-1004		Non-Headset	\$193.15 ea.

MRI Universal Oak Wood Coil Carts

Solid oak coil cart with 5" casters (except 8' carts) must add 5" to height for all carts, casters not available on carts 8' and over. Can be custom made to any size and number of shelves. Bordeaux nylon cover (must be ordered separately) attaches to cart with hook and loop velcro. Top is considered as one of the shelves.



All equipment in this catalog works with FerrAlert Detection Systems



Non-Ferromagnetic

Model	Designation	Size: D x H x L	# Of Shelves	Price No Cover	Add Cover	Add Handles
FR-2511		2' x 3' x 2'	2	\$1,558.00 ea.	\$254.00 ea.	\$223.00 ea.
FR-2512		2' x 3' x 3'	2	\$1,464.00 ea.	\$254.00 ea.	\$223.00 ea.
FR-2513		2' x 3' x 4'	2	\$1,847.00 ea.	\$254.00 ea.	\$223.00 ea.
FR-2500		2' x 4' x 2'	3	\$1,779.00 ea.	\$254.00 ea.	\$223.00 ea.
FR-2501		2' x 4' x 3'	3	\$1,861.00 ea.	\$254.00 ea.	\$223.00 ea.
FR-2502		2' x 4' x 4'	3	\$1,581.00 ea.	\$254.00 ea.	\$223.00 ea.
FR-2503		2' x 6' x 2'	4	\$2,022.00 ea.	\$254.00 ea.	\$223.00 ea.
FR-2504		2' x 6' x 3'	4	\$2,109.00 ea.	\$254.00 ea.	\$223.00 ea.
FR-2505		2' x 6' x 4'	4	\$2,252.00 ea.	\$254.00 ea.	\$223.00 ea.

MRI Injection Stand, Adjustable Angle Arm Pad

MRI Injection Stands have casters for mobility in and around the MRI suite. Perfect for keeping a patient's arm still for any need. Improving efficiency and patient comfort, injection stands can be used for IV Placements or any other injections.

MRI Injection Stand Features

This MRI Injection Stand has an adjustable angle arm pad and an adjustable height pole for optimal adjustments based on any patient's need.

Injection Stand Specifications:

- 31½" Height, Adjustable to 50½"
- 11½" Pad Length
- 7" Pad Width
- 21" Base Width
- 2" Casters



Model	Des.	Description	Price
IV-1925		Injection Stand	\$508.00 ea.

MRI Non-Ferromagnetic Overbed Table

This aluminum overbed table has a sturdy and robust U base design. The Table Top is constructed of white polyethylene. The flush mounted T molded edge further reinforces the tabletop and makes it resistant to wear and tear.

Overbed Table Specifications:

- 31" Height, Adjustable to 45"
- 31½" Tabletop Length
- 12" Tabletop Width
- 16" Overall Width
- 3" Casters

Overbed Table Features

MRI Non-magnetic Overbed Tables are adjustable height with a turn knob lock and come with 5" heavy duty casters.



Model	Des.	Description	Price
TA-1060		Overbed Table	\$887.00 ea.

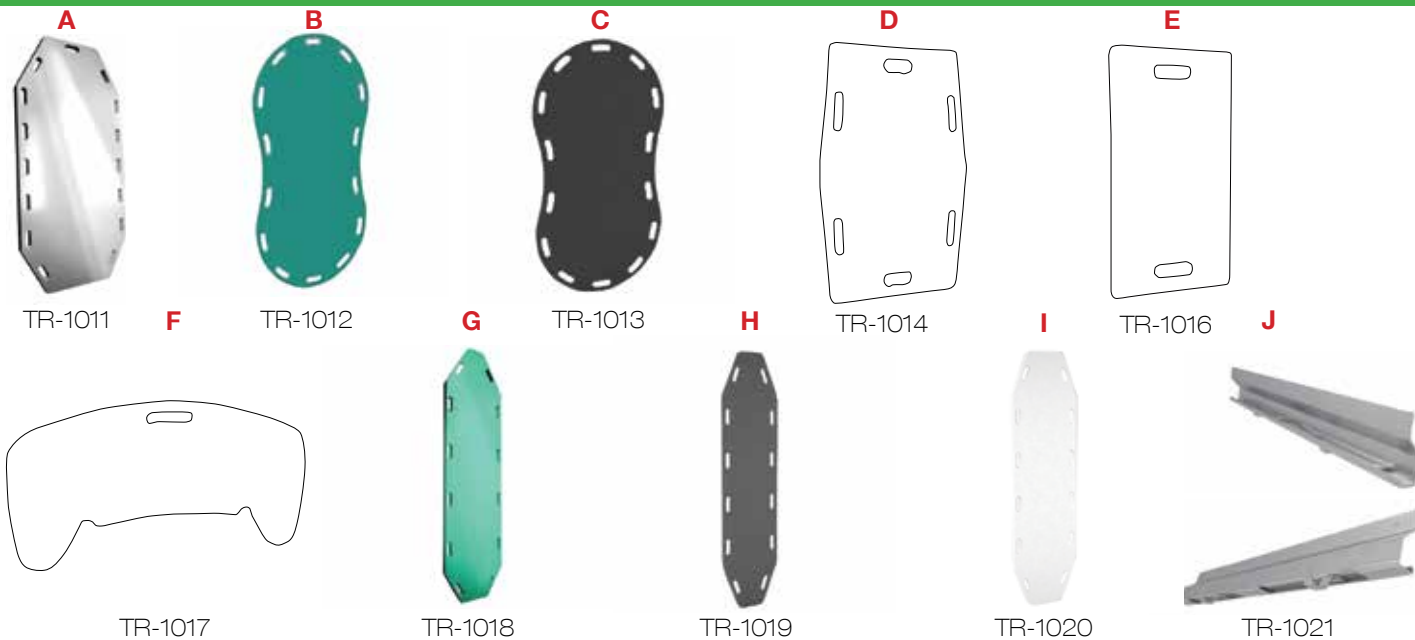


Fig.	Model	Des.	Weight	Description	Price
A	TR-1011		300 lbs	MRI Bariatric Transfer Board, 72"L x 32"W x 1/4" Thick, White	\$328.00 ea.
B	TR-1012		250 lbs	MRI Bariatric Patient Shifter, 72"L x 38"W x 3/16" Thick, Teal	\$322.00 ea.
C	TR-1013		250 lbs	MRI Anti Static Bariatric Patient Shifter, 72"L x 38"W x 3/16" Thick, Black	\$825.00 ea.
D	TR-1014		250 lbs	MRI Slide Board Patient Transfer Sheet, 31"L x 23"W x 1/8" Thick, White	\$76.93 ea.
E	TR-1016-SM		300 lbs	MRI Plastic Transfer Board, 23"L x 12.5"W x 3/16" Thick, White	\$104.19 ea.
E	TR-1016-LG		300 lbs	MRI Plastic Transfer Board, 30"L x 12.5"W x 3/16" Thick, White	\$107.40 ea.
F	TR-1017		250 lbs	MRI Curved Banna Trasfer Board, 28"L x 10.5"W x 3/16" Thick,	\$135.16 ea.
G	TR-1018-SM		250 lbs	MRI Static Treated Transfer Board, 72"L x 18"W x 3/16" Thick, Aqua	\$191.87 ea.
G	TR-1018-LG		250 lbs	MRI Static Treated Transfer Board, 72"L x 22"W x 3/16" Thick, Aqua	\$191.87 ea.
H	TR-1019-SM		250 lbs	MRI Anti Static Transfer Board, 72"L 18"W x 3/16" Thick, Charcoal Grey	\$409.00 ea.
H	TR-1019-LG		250 lbs	MRI Anti Static Transfer Board, 72"L 22"W x 3/16" Thick, Charcoal Grey	\$409.00 ea.
I	TR-1020		250 lbs	MRI Static Treated Transfer Board, 72"L x 22"W x 3/16" Thick, White	\$220.00 ea.
J	TR-1021			MRI Transfer Device Storage Rack, 18"L x 2.5"H x 1"D	\$127.83 ea.

MRI Non-Ferromagnetic Certified #11 Disposable Scalpel and 20g 9cm Needle Tray Kit

Tray Contents:

1 CSR Outer Wrap 28 x 28

1 Prep Tray 10 x 5 x 2

1 MRI "Non-Ferromagnetic" Disposable Titanium #11 Scalpel - This scalpel is safe to use for any interventional procedure for the initial puncture of the skin

1 MRI "Non-Ferromagnetic" Needle 20g 9cm - This needle is completely safe for use as a puncture or injection needle.

Non-Clinical testing demonstrated that this product is MR conditional and can be used in the MRI environment according to the following conditions:

1. Static magnetic of 3-Tesla or less
2. Highest spatial gradient magnetic field of 720-Gauss/cm or less



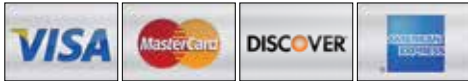
Model	Description	Price
BS-1014	MRI Non-Ferromagnetic Certified #11 Disposable Scalpel and Non-Ferromagnetic 20g 9cm Needle Tray/Kit (for use as a puncture or injection needle), 1 of Each	\$55.00 ea.
BS-1015	MRI Non-Ferromagnetic Certified #11 Disposable Scalpel and Non-Ferromagnetic 20g 9cm Needle Tray/Kit - Case of 10 Trays	\$550.00 cs.
BS-1016	MRI Non-Ferromagnetic Certified #11 Disposable Scalpel and Non-Ferromagnetic 20g 9cm Needle Tray/Kit - Case of 20 Trays	\$1,100.00 cs.

MRlequip™
Non-Magnetic Equipment .com

6248 Bittersweet Lane
Nisswa, MN 56468

Toll Free 866-529-3526
Fax Free 888-433-5174

Purchase Orders Accepted



Presorted Standard
U.S. Postage
Paid
Ripon, WI
Permit No. 100

MRlequip.com™ is proud to announce that we ship worldwide.

NMF



MRI Non-Ferromagnetic Folding Walker



Featuring Great and Friendly Customer Service.
Let us help find what you are looking for.

Coming Soon



FDA
APPROVED

(FDA) is responsible for regulating
medical devices in the United States.



SCAN QR CODE TO
VISIT MRlequip.com

All equipment
in this catalog
works with
FerrAlert
Detection
Systems

