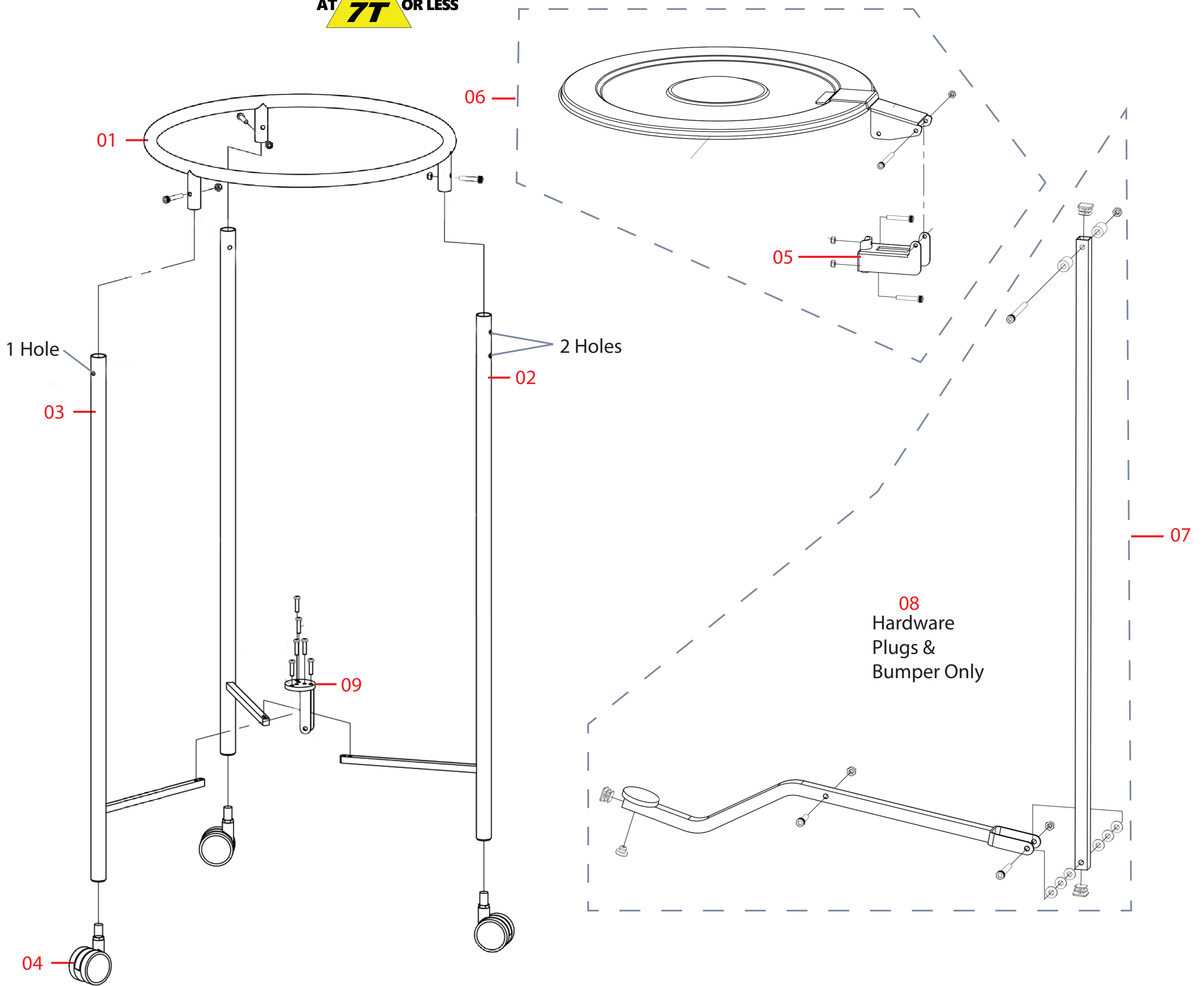


**Stainless Steel**



**Click Fig. Numbers or Table to Visit Products**

| Fig                | Model                   | Description                                       |
|--------------------|-------------------------|---|
| <a href="#">01</a> | <a href="#">HA-2052</a> | Top Ring w/ Hardware                              |
| <a href="#">02</a> | <a href="#">HA-2053</a> | Leg with 2 Holes                                  |
| <a href="#">03</a> | <a href="#">HA-2054</a> | Leg with 1 Hole                                   |
| <a href="#">04</a> | <a href="#">CH-1940</a> | 2" Non-Locking Twin Wheel Caster w/ Threaded stem |
|                    | <a href="#">CH-1941</a> | 2" Locking Twin Wheel Caster w/ Threaded stem     |
| <a href="#">05</a> | <a href="#">HA-2055</a> | Lid Bracket only w/ Attaching Hardware            |

| Fig                | Model                   | Description                                    |
|--------------------|-------------------------|--|
| <a href="#">06</a> | <a href="#">HA-2050</a> | Hamper Lid and bracket w/Attaching Hardware    |
| <a href="#">07</a> | <a href="#">HA-2051</a> | Foot Pedal Assembly w/Attaching Hardware       |
| <a href="#">08</a> | <a href="#">HA-2056</a> | Attaching Hardware Set for Foot Pedal Assembly |
| <a href="#">09</a> | <a href="#">HA-2057</a> | Lower Leg Support Bracket w/Attaching Hardware |
| <a href="#">10</a> | <a href="#">HA-2003</a> | Replacement Hamper Bag                         |