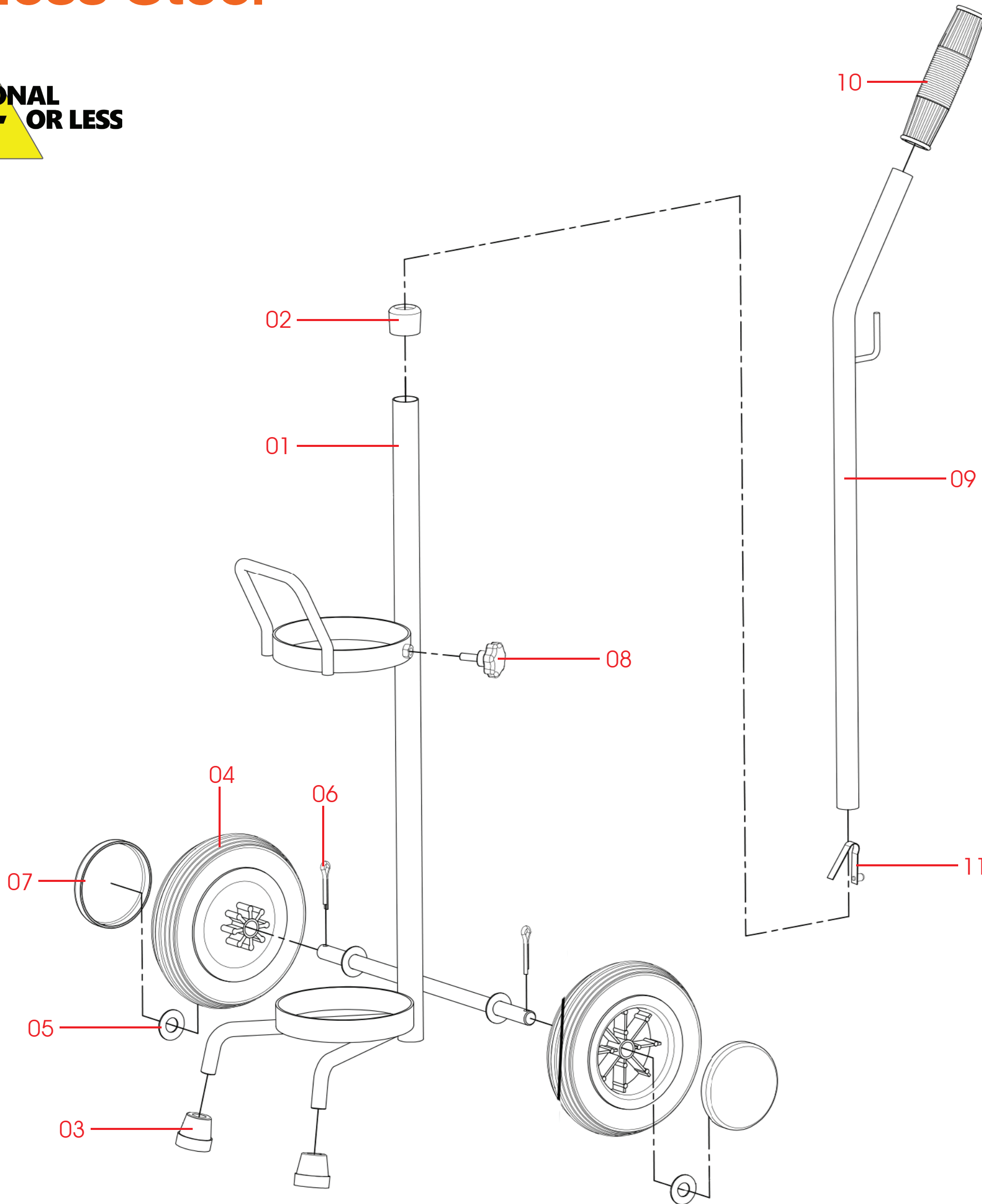


Stainless Steel



Click Fig. Numbers or Table to Visit Products

Fig	Model	Description
01	OX-1501	Cart Base Assembly
02	OX-1509	Plastic Collar,Black
03	OX-1502	Rubber Tip
04	OX-1505	Wheel
05,06	OX-1506	Cotterpin and washer
07	OX-1503	Hub Cap, Plastic
08	OX-1504	Locking Knob
09	OX-1500	Cart Handle
10	OX-1508	Vinyl Hand Grip, Black
11	OX-1507	Push Button