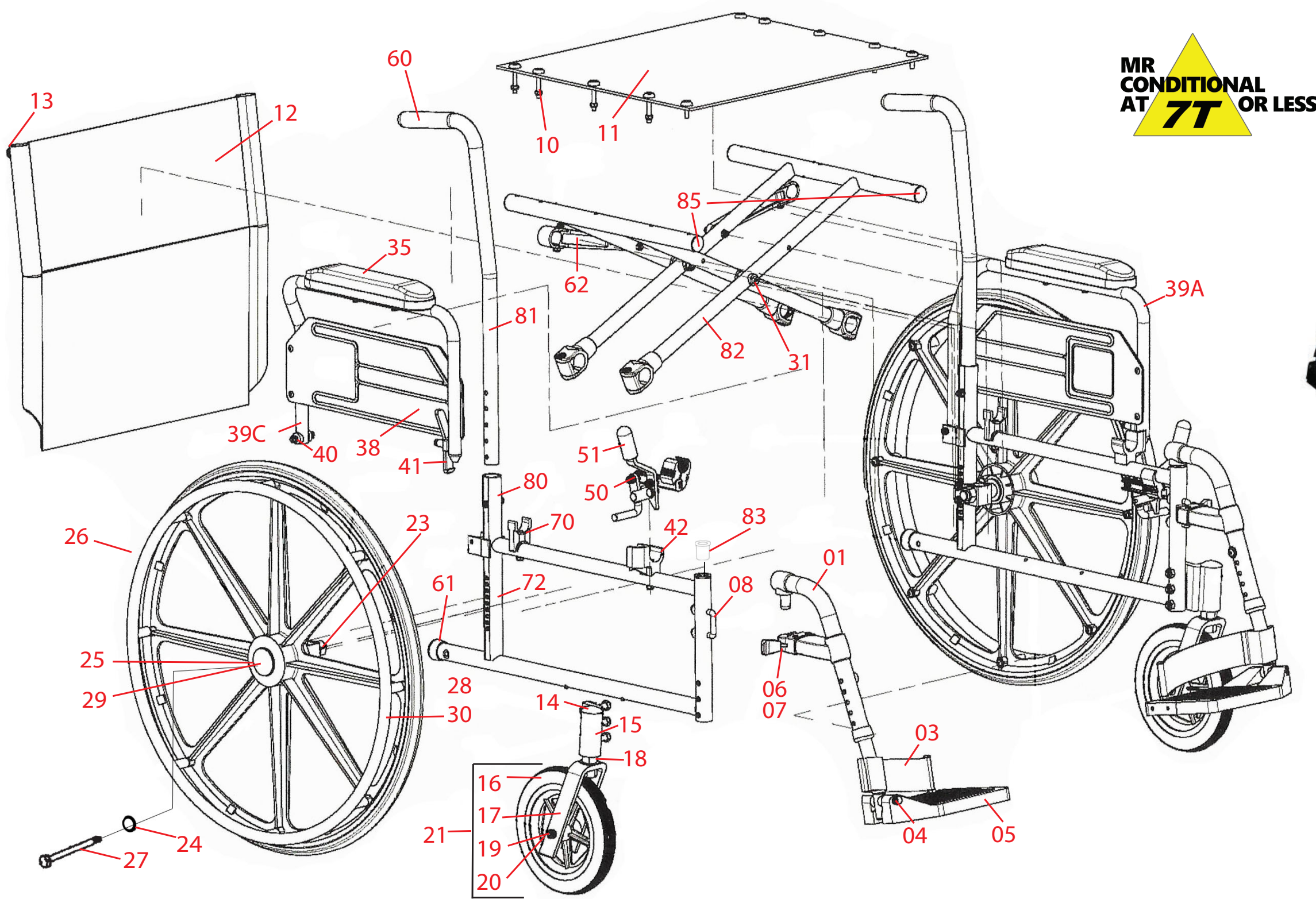
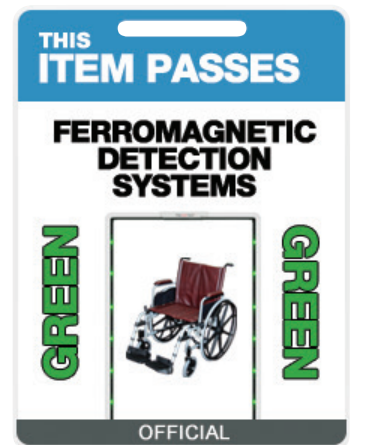


MRI Parts List | 20" Wide MRI Aluminum Non-Ferromagnetic Wheelchair



Aluminum
WC-2002



Click Fig. Numbers or Table to Visit Products

Fig	Model	Description
01	RP-5003-L RP-5003-R	Footrest Complete, Left Side * Footrest Complete, Right Side *
03	RP-5007-L RP-5007-R	Heel Loop with Hardware, Left * Heel Loop with Hardware, Right *
04	RP-1193	Attaching Hardware for Plastic Footplate
05	RP-1174	Footplate Only for Footrest & Legrest Universal Left or Right
06	RP-5069	Front Rigging Lock Assembly Complete, Universal Left or Right
07	RP-1150	Spring Only, for Lock Assembly
08	RP-5067	Front Rigging Lock "U" Bolt
10	RP-5078	Seat Attaching Hardware Set
11	RP-5014-CL	Seat Upholstery w/Hardware **
12	RP-5017-CL	Back Upholstery w/Hardware **
13	RP-5079	Back Attaching Hardware Set
14	RP-5061	Black Journal Cap
15	RP-5002-L RP-5002-R	Fork Caster Assembly, Left * Fork Caster Assembly, Right *
16	RP-5021	8" Wheel with Bearings
17	RP-5022	Fork with Nut
18	RP-5023	Bearing for Fork Stem
19	RP-5026	Axle and Nut for Front Wheel
20	RP-1163	Bearing for Front Wheel
21	RP-5075	Wheel Assembly, Fork, Wheel, Bearings and Axle
23	RP-5077	Spacer, Between Wheel & Frame
24	RP-1181	Washer, for Rear Axle
25	RP-1019	5/8" White Nylon Wheel Bearing
26	RP-5058	24" Wheel Complete with 5/8" Bearings, Handrim & Hub Cap
27	RP-5029	Axle and Nut for Rear Wheel

Fig	Model	Description
28	RP-5030	Handrim Screws (set of 8)
29	RP-1020	4" Large Style Hub Cap
30	RP-5032	Black Nylon Handrim
31	RP-5081	Cross Brace Hardware Only, 2 Sets, Bolt, Nut, Plastic Washer
35	RP-5033-CL	Desk Length Armrest, Color **
38	RP-5034	Skirtguard 15 1/4" x 5 1/2"
39A	RP-5035-L-CL	Flip Back Left Side Desk Length Arm, Complete with skirtguard, armrest & button lock, Color * **
39C	RP-5035-R-CL	Flip Back Right Side Desk Length Arm, Complete with skirtguard, armrest & button lock, Color * **
40	RP-1097	Flip Up Arm Hardware Only (nut, bolt, spacers)
41	RP-1099	Flip Up Arm Lock, Release Lever
42	RP-5039-L RP-5039-R	Flip Up Arm Socket/Seat Guide, Left * Flip Up Arm Socket/Seat Guide, Right *
50	RP-5000-L RP-5000-R	Brake Complete, Left * Brake Complete, Right *
51	RP-1081	Rubber Tip for Brake
60	RP-5063	Handle Grip
61	RP-5043	Kick Tube Cap
62	RP-5073	Pivot Link with Bracket and Hardware
70	RP-5064	Seat Guide (black nylon)
72	RP-5046-L RP-5046-R	Rear Axle Bracket, Left * Rear Axle Bracket, Right *
80	RP-5048-L RP-5048-R	Lower Main Frame, Left * Lower Main Frame, Right *
81	RP-5054	Back Cane
82	RP-5070	Cross Brace Set
83	RP-5072	Front Rigging Top Mount Bushing
85	RP-3000	Cross Brace Plug, set of 4

* Determine Left or Right when sitting in the wheelchair
** Upholstery Colors: 10-Burgundy, 50-Green, 60-Dk. Blue