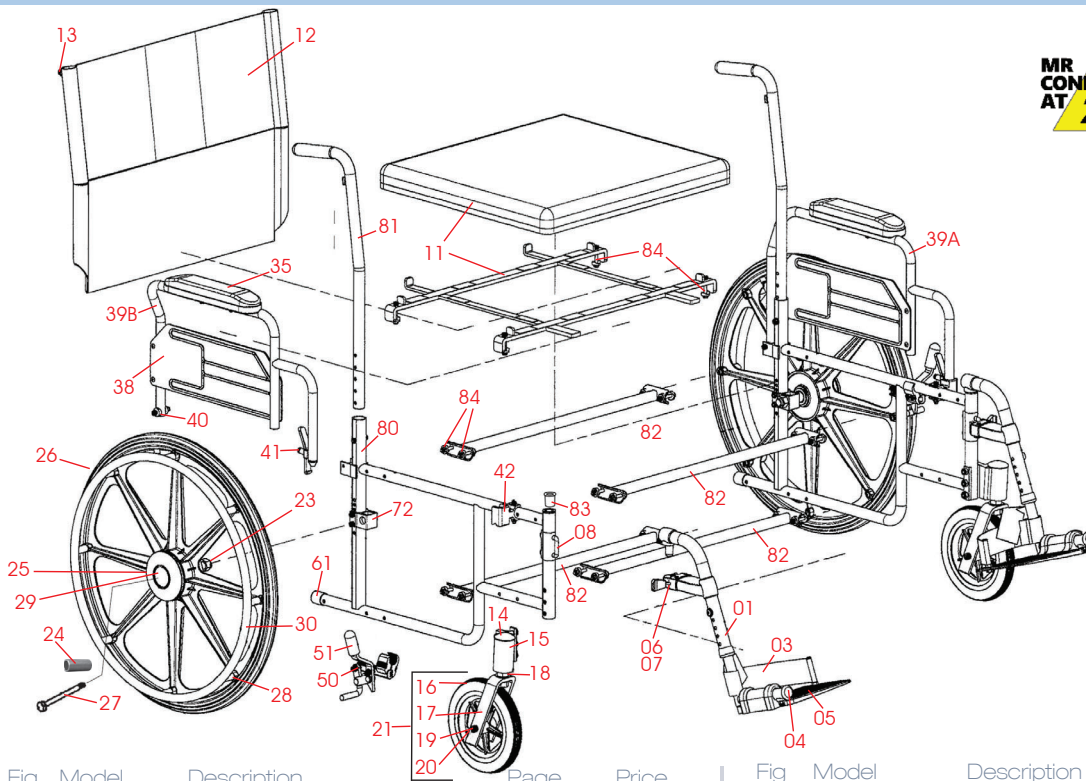


# 24" Wide Aluminum Non Ferromagnetic Wheelchair | MRI Parts List



**HD  
Aluminum  
WC-2006**



Fig	Model	Description	Page	Price
01	RP-5005-L RP-5005-R	Footrest Complete, Left Side * Footrest Complete, Right Side *	13	\$204.00 ea.
03	RP-5009-L RP-5009-R	Heel Loop with Hardware, Left * Heel Loop with Hardware, Right *	23	\$39.55 ea.
04	RP-5011	Front Bumper, Black	16	\$11.21 ea.
05	RP-1164	Footplate Only for Footrest & Legrest Universal Left or Right	16	\$52.74 ea.
06	RP-5069	Front Rigging Lock Assembly Complete, Universal Left or Right	15	\$43.51 ea.
07	RP-1150	Spring Only, for Lock Assembly	15	\$10.55 ea.
08	RP-5067	Front Rigging Lock "U" Bolt	15	\$15.16 ea.
10	RP-1224	Seat Attaching Bracket Only	15	\$387.00 ea.
11	RP-5016-CL	Solid Seat Uph. w/Bracket **	18	\$399.00 ea.
12	RP-5019-CL	Back Upholstery w/Hardware **	18	\$161.98 ea.
13	RP-5080	Back Attaching Hardware Set	19	\$29.66 set
14	RP-5062	Black Journal Cap	9	\$11.21 ea.
15	RP-5020-L RP-5020-R	Fork Caster Assembly , Left * Fork Caster Assembly , Right *	6	\$246.00 ea.
16	RP-5021	8" Wheel with Bearings	5	\$48.78 ea.
17	RP-5025	Fork with Nut	6	\$73.63 ea.
18	RP-5060	Bearing for Fork Stem	4	\$73.14 ea.
19	RP-5026	Axle and Nut for Front Wheel	8	\$12.52 ea.
20	RP-1163	Bearing for Front Wheel	4	\$10.55 ea.
21	RP-5075	Wheel Assembly, Fork, Wheel, Bearings and Axle	6	\$112.36 ea.
23	RP-5077	Spacer, Between Wheel & Frame	7	\$10.55 ea.
24	RP-1179	Spacer, Between Wheel Bearings	7	\$11.21 ea.
25	RP-1156	5/8" Ceramic Wheel Bearing	3	\$43.51 ea.
26	RP-5059	24" Wheel Complete with 5/8" Bearings, Handrim & Hub Cap	5	\$289.00 ea.

Fig	Model	Description	Page	Price
27	RP-5029	Axle and Nut for Rear Wheel	8	\$48.78 ea.
28	RP-5030	Handrim Screws & Spacers (set of 8)	7	\$39.55 set
29	RP-1020	Hub Cap	9	\$10.55 ea.
30	RP-5032	Black Nylon Handrim	7	\$29.66 ea.
35	RP-5033-CL	Desk Length Armrest, Color **	12	\$31.64 ea.
38	RP-5034	Skirtguard 15 1/4" x 5 1/2"	12	\$43.51 ea.
39A	RP-5037-L-CL	Flip Back Left Side Desk Length Arm, Complete with skirtguard, armrest & button lock, Color * **	11	\$178.44 ea.
39B	RP-5037-R-CL	Flip Back Right Side Desk Length Arm, Complete with skirtguard, armrest & button lock, Color * **	11	\$178.44 ea.
40	RP-1097	Flip Up Arm Hardware Only (nut, bolt, spacers)	12	\$11.21 ea.
41	RP-1099	Flip Up Arm Lock, Release Lever	12	\$18.46 ea.
42	RP-5041-L RP-5041-R	Flip Up Arm Socket, Left * Flip Up Arm Socket, Right *	10	\$65.33 ea.
50	RP-5000-L RP-5000-R	Brake Complete, Left * Brake Complete, Right *	8	\$56.69 ea.
51	RP-1081	Rubber Tip for Brake	9	\$5.93 ea.
60	RP-5063	Handle Grip	9	\$11.21 ea.
61	RP-6000	Kick Tube Cap	9	\$5.93 ea.
72	RP-5046-L RP-5046-R	Rear Axle Bracket, Left * Rear Axle Bracket, Right *	8	\$33.62 ea.
80	RP-5052-L RP-5052-R	Lower Main Frame, Left * Lower Main Frame, Right *	20	\$478.00 ea.
81	RP-5056	Back Cane	20	\$78.27 ea.
82	RP-5045	Frame Support Tube , 1 Each	21	\$82.46 ea.
83	RP-5072	Front Rigging Top Mount Bushing	15	\$13.84 ea.
84	RP-1225	Aluminum Seat Bolts	19	\$39.55 set

\* Determine Left or Right when sitting in the wheelchair  
\*\* Upholstery Colors: 10-Burgundy, 50-Green, 60-Dk. Blue