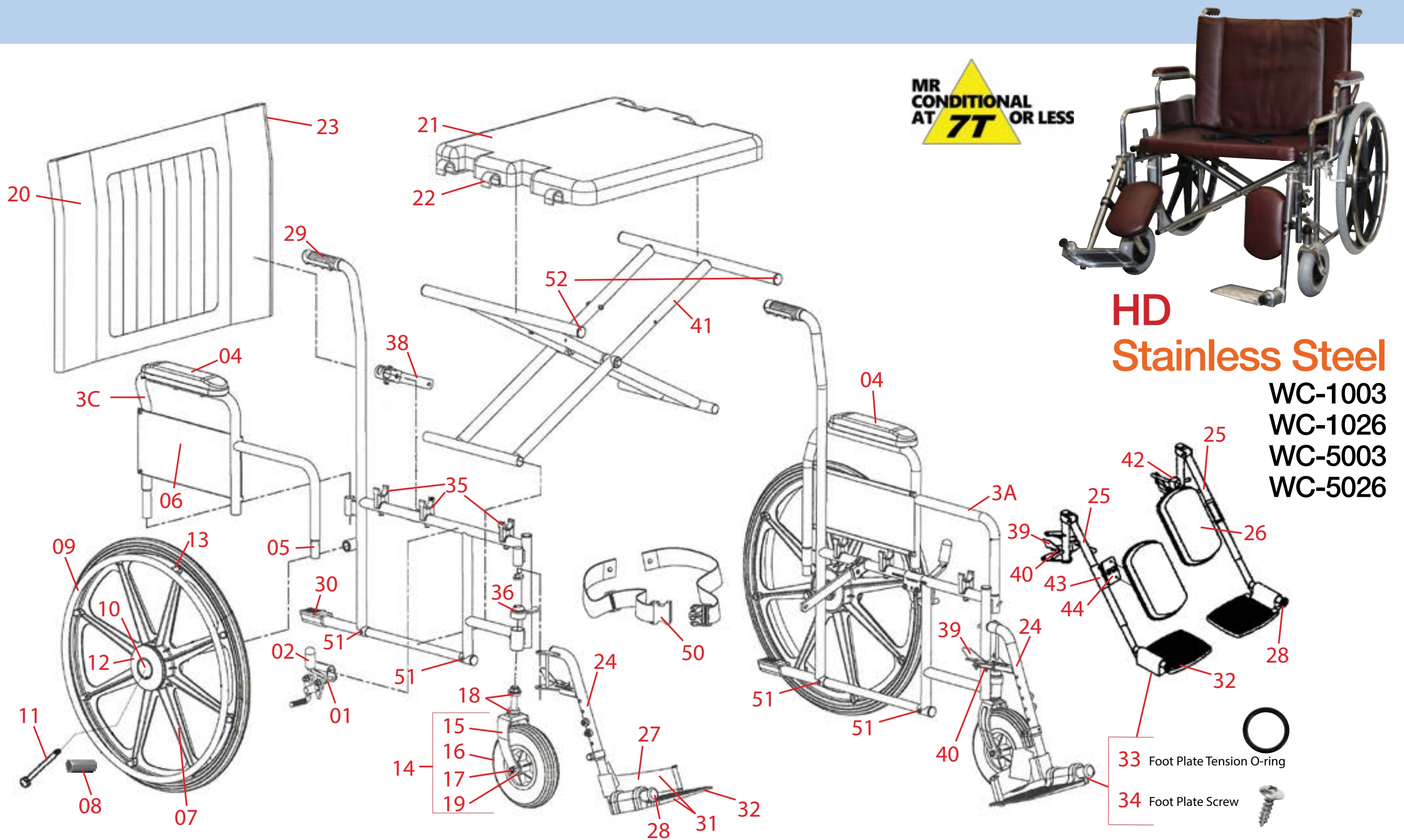


MRI Parts List | 26" Wide HD MRI Wheelchair Desk Length Arms



**HD
Stainless Steel**
WC-1003
WC-1026
WC-5003
WC-5026

Click Fig. Numbers or Table to Visit Products

Fig	Model	Description
01	RP-1025-L RP-1025-R	Brake Complete, Left * Brake Complete, Right *
02	RP-1081	Rubber Tip for Brake
3A	RP-1062-L-CL	Detach Left Side Desk Length Arm, Complete with skirtguard, armrest & button lock, Color * **
3C	RP-1062-R-CL	Detach Right Side Desk Length Arm, Complete with skirtguard, armrest & button lock, Color * **
04	RP-1038-CL	Desk Length Armrest, Color **
05	RP-1046	Button Lock
06	RP-1043	Skirtguard 13 1/4" x 6"
07	RP-1171	24" Wheel Complete with 5/8" Bearings, Handrim & Hub Cap
08	RP-1179	Spacer, Between Wheel Bearings
09	RP-1024	Stainless Steel Handrim
10	RP-1156	5/8" Ceramic Wheel Bearing
11	RP-1022	Axle and Nut for Rear Wheel
12	RP-1020	Hub Cap
13	RP-1023	Handrim Screws & Spacers (set of 8)
14	RP-1047	8" Fork Assembly (fork, 8" wheel, bearings & axle)
15	RP-1012	Fork with Nut
16	RP-1048	8" Wheel with Bearings
17	RP-1014	Axle and Nut for Front Wheel
18	RP-1013	Bearing for Fork Stem
19	RP-1163	Bearing for Front Wheel
20	RP-1052-CL	Back Upholstery w/Hardware **
21	RP-1051-CL	Solid Seat Upholstery w/Straps **
22	RP-1191	Set of 3 Straps For Seat Upholstery

Fig	Model	Description
23	RP-1223	Back Attaching Hardware Set
24	RP-1075-L RP-1075-R	Footrest Complete Left Side * Footrest Complete Right Side *
25	RP-1112-L-CL RP-1112-R-CL	Legrest Complete Left, Color * ** Legrest Complete Right, Color * **
26	RP-1084-CL	Calf Pad, Color **
27	RP-1166-L RP-1166-R	Heel Loop with Hardware, Left Heel Loop with Hardware, Right
28	RP-1154 RP-1068	Rubber Bumper Roller Bumper
29	RP-1082	Handle Grip
30	RP-1083	Kick Tube Cap
31	RP-1165-L RP-1165-R	Foot Plate w/Heel Loop, Left * Foot Plate w/Heel Loop, Right *
32	RP-1164	Footplate Only for Footrest & Legrest Universal Left or Right
33	RP-7016	Tension "O" Ring for Foot Plate
34	RP-7017	Screw for Foot Plate
35	RP-1167	Seat Guide (black nylon)
36	RP-1126	Journal Cap for Fork Stem
38	RP-1161	Pivot Link with Bracket and Hardware
39	RP-7000-L RP-7000-R	Lock Lever Complete, Left * Lock Lever Complete, Right *
40	RP-7002-L RP-7002-R	Spring Only for Lock Lever, Left * Spring Only for Lock Lever, Right *
41	RP-1189	Cross Brace Set
42	RP-7020-L RP-7020-R	Adjustment Rod Complete, Left * Adjustment Rod Complete, Right *
43	RP-7005	Calf Pad Bracket
44	RP-7004	Calf Pad Hinge Plate
50	RP-1090-24	Safety Belt, for 26" Wide Chairs
51	RP-1196	Cross Brace Frame Bolt, Set of 4
52	RP-3002	Cross Brace Plug, Set of 4

* Determine Left or Right when sitting in the wheelchair
** Upholstery Colors: 10-Burgundy, 50-Green, 60-Dk. Blue