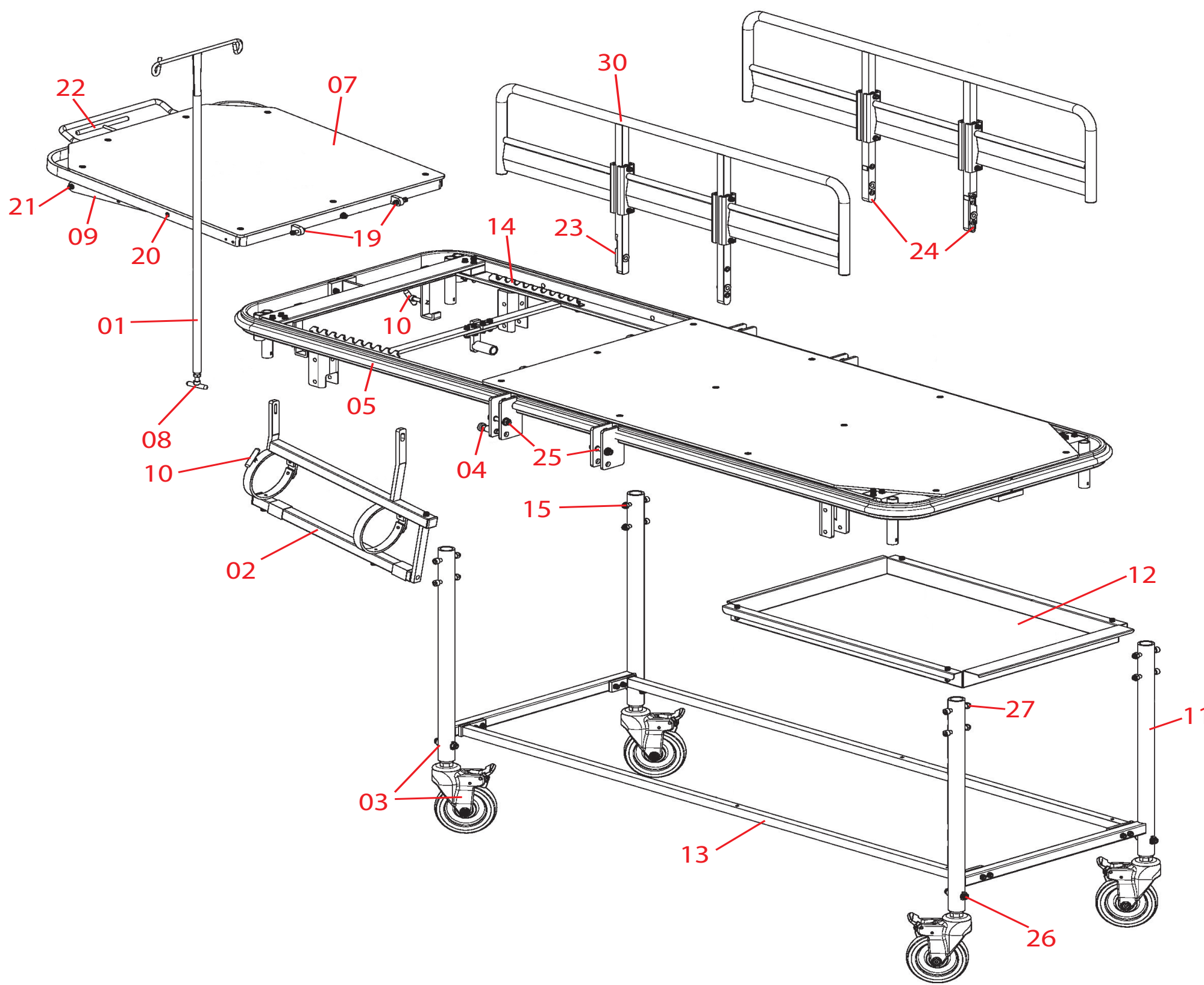


MRI Parts List | MRI Non-Magnetic Aluminum Stretcher



Aluminum
ST-5000



Click Fig. Numbers or Table to Visit Products

Fig	Model	Description	Fig	Model	Description
01	ST-5100	IV Pole for Aluminum Stretcher	20	ST-5188	Head Support Mounting Bolt, Nut, & Plastic Washers
02	ST-5101	O2 Tank Holder for E Cylinder Tanks	21	ST-5186	Head Support Bar Bolt & Plastic Washer
03	ST-2354	5" Caster w/ Brake, w/ Attaching Hardware & Caster Socket	22	ST-5187	Head Adjustment Pull Bar
04	ST-5700	Rail Release Button Assembly	23	ST-5184	Railing Glide Bracket / Fixes 1 Rail Fits SN#'s STR00621 and Up
05	ST-2702	Red Rubber Bumper	24	ST-5183	Plastic Railing Glides / Fixes 1 Rail (STR00406-STR00480) & (STR00561-STR00580)
07	ST-5164	Back Assembly Complete w/ Attaching Hardware	25	ST-5191	Side Rail Mounting Bolt, Nut & Plastic Washers
08	ST-5170	"T" Knobe for IV Pole	26	ST-5190	Caster Bolt, Nut, & Plastic Washers
09	ST-5167	Back Postion Lock Assembly	27	ST-5171	Leg Bolt & Nut
10	ST-5169	"T" Knob for O2 Holder	30		Side Rails Complete, Order By Serial # See Page 45 for More Info
11	ST-5180	Leg Only w/ Attaching Hardware		ST-5177-OB	Fits SN#'s STR00406 Thru STR00580
12	ST-5181	Aluminum Utility Tray		ST-5177-OC	Fits SN#'s STR00621 Thru STR01509
13	ST-5182	Lower Frame Connector set w/ Attaching Hardware		ST-5178-LT	Fits SN#'s STR01510 and Up, Left
14	ST-5159	Ratchet Positioners for Backrest	ST-5178-RT	Fits SN#'s STR01510 and Up, Right	
15	ST-5171	Frame Leg Bolt & Nut	ST-2005-CL	Replacement Stretcher Pad **	
19	ST-5189	Head Pannel Mounting Bolt, Nut, & Plastic Washers	ST-2017	Safety Straps, Set of 3	
			ST-2012-CL	Rail Pads, Pair, 47"L x 11"H **	
			ST-2020-CL	Rail Pads, Pair, 40"L x 11"H **	

* Determine Left or Right when Laying on the Stretcher

** Upholstery Colors:
10-Burgundy Naugahyde, 50-Green Naugahyde, 46-Black Fusion