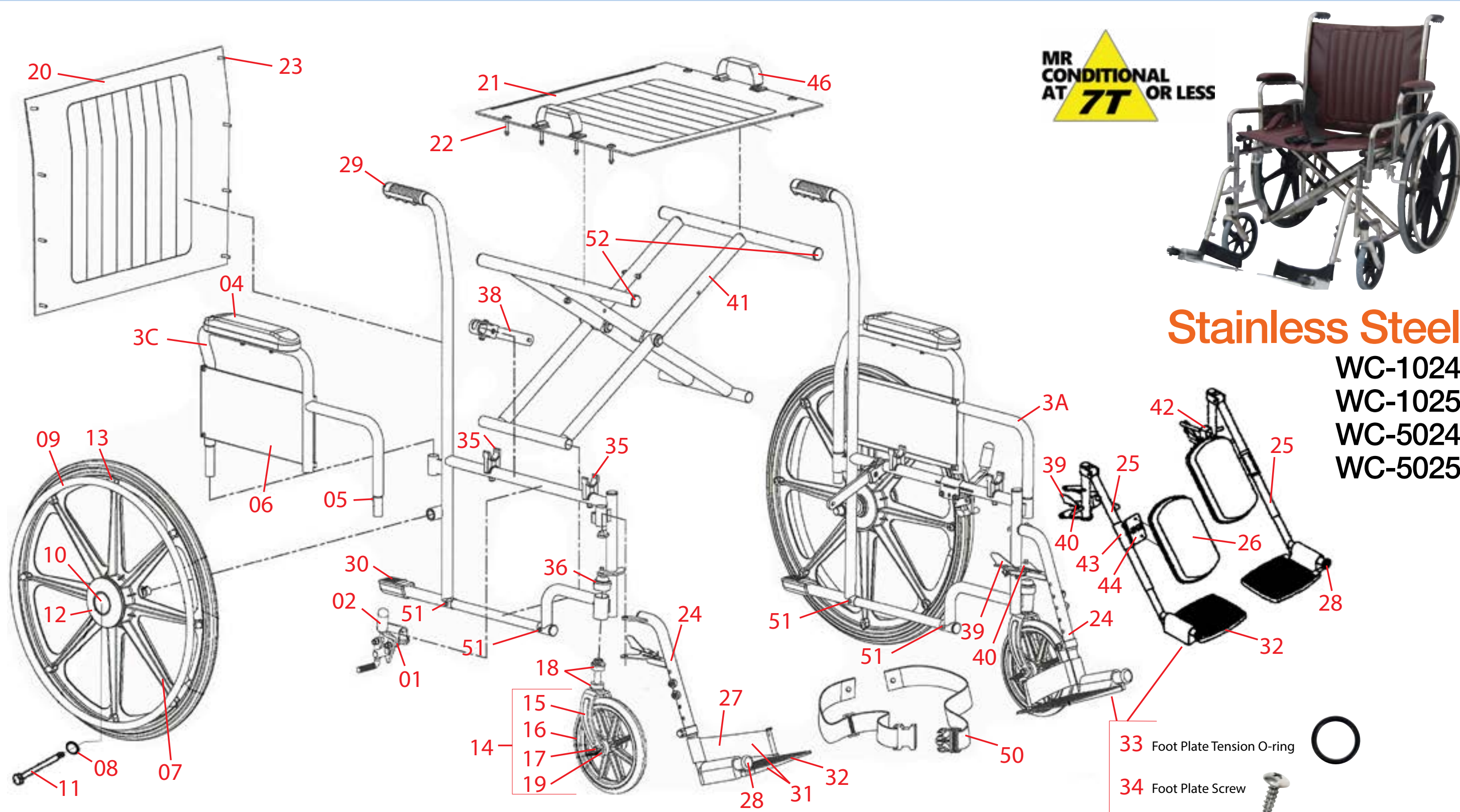


MRI Parts List | 24" Wide MRI Wheelchair Desk Length Arms



Click Fig. Numbers or Table to Visit Products

Fig	Model	Description
01	RP-1025-L RP-1025-R	Brake Complete, Left * Brake Complete, Right *
02	RP-1081	Rubber Tip for Brake
3A	RP-1063-L-CL	Detach Left Side Desk Length Arm, Complete with skirtguard, armrest & button lock, Color * **
3C	RP-1063-R-CL	Detach Right Side Desk Length Arm, Complete with skirtguard, armrest & button lock, Color * **
04	RP-1038-CL	Desk Length Armrest, Color **
05	RP-1046	Button Lock
06	RP-1043	Skirtguard 13 1/4" x 6"
07	RP-1017	24" Wheel Complete with 5/8" Bearings, Handrim & Hub Cap
08	RP-1181	Washer, for Rear Axle
09	RP-1024	Stainless Steel Handrim
10	RP-1019	5/8" Bearing for Rear Wheel
11	RP-1022	Axle and Nut for Rear Wheel
12	RP-1020	Hub Cap
13	RP-1023	Handrim Screws & Spacers (set of 8)
14	RP-1009	8" Fork Assembly (fork, 8" wheel, bearings & axle)
15	RP-1012	Fork with Nut
16	RP-1010	8" Wheel with Bearings
17	RP-1014	Axle and Nut for Front Wheel
18	RP-1013	Bearing for Fork Stem
19	RP-1011	Bearing for Front Wheel
20	RP-1088-CL	Back Upholstery w/Hardware **
21	RP-1089-CL	Seat Upholstery w/Hardware **

Fig	Model	Description
22	RP-1220	Seat Attaching Hardware Set
23	RP-1222	Back Attaching Hardware Set
24	RP-1002-L RP-1002-R	Footrest Complete Left Side * Footrest Complete Right Side *
25	RP-1110-L-CL RP-1110-R-CL	Legrest Complete Left, Color * ** Legrest Complete Right, Color * **
26	RP-1084-CL	Calf Pad, Color **
27	RP-1007	Heel Loop with Hardware
28	RP-1154	Bumper
29	RP-1082	Handle Grip
30	RP-1083	Kick Tube Cap
31	RP-1121-L RP-1121-R	Foot Plate w/Heel Loop, Left * Foot Plate w/Heel Loop, Right *
32	RP-1122	Footplate Only for Footrest & Legrest Universal Left or Right
33	RP-7016	Tension "O" Ring for Foot Plate
34	RP-7017	Screw for Foot Plate
35	RP-1167	Seat Guide (black nylon)
36	RP-1126	Journal Cap for Fork Stem
38	RP-1160	Pivot Link with Bracket & Hdw
39	RP-7000-L RP-7000-R	Lock Lever Complete, Left * Lock Lever Complete, Right *
40	RP-7002-L RP-7002-R	Spring Only for Lock Lever, Left * Spring Only for Lock Lever, Right *
41	RP-1187	Cross Brace Set
42	RP-7020-L RP-7020-R	Adjustment Rod Complete, Left * Adjustment Rod Complete, Right *
43	RP-7005	Calf Pad Bracket
44	RP-7004	Calf Pad Hinge Plate
46	RP-1212-CL	Handle Closing Straps **
50	RP-1090-24	Safety Belt, for 24" Wide Chairs
51	RP-1196	Cross Brace Frame Bolt, Set of 4
52	RP-3001	Cross Brace Plug, Set of 4